

上海电气集团上海电机厂有限公司
Shanghai Electric Machinery Co.,Ltd.

地址:中国上海闵行江川路555号
ADD:555 Jiangchuan Road,Minhang Shanghai China
电话(TEL):021-64638221
传真(Fax):021-64632422
客服电话(CSH):4008803505
邮政(P.C):200240
网址:<http://www.shanghai-electric.com>

扫码关注
上海电机厂
官方微信



版本号: 2021-01



YX2.0 全新一代通用型 高压三相异步电动机

*YX2.0 New Generation of General
HV Three-phase Asynchronous Motor*



上海电气集团上海电机厂有限公司
Shanghai Electric Machinery Co.,Ltd.

目录 CONTENTS

02	03	04	04	06	08	10	12	14	29
一、概述 Overview	二、基本信息 Essential information	三、型号说明 Type Designation	四、防护等级 及冷却方式 Protection class and cooling method	五、基本结构 Fundamental structure	六、轴承 Bearing	七、振动、噪音 Vibration, noise	八、注意事项 Attention	九、主要技术数据 Main technical data	十、外形图及安装尺寸表 Layout drawings and dimensions



一、概述

OVERVIEW

YX2.0高压异步电动机系列是上海电气集团上海电机厂有限公司面向未来研发的全新一代高性能通用高压异步电动机产品系列，具有额定效率高，经济运行范围宽的优点，运行可靠，低振，低噪等，且产品交货期短。本系列产品致力于为合作伙伴提供全新的全生命周期使用体验，为合作伙伴提供经济高效的驱动应用解决方案。

YX2.0 HV asynchronous motor series refer to new generation of general HV asynchronous motor product series with high performance researched and developed for the future by Shanghai Electric Machinery Co., Ltd. The series of products feature in high efficiency at rated point , wide range of economic operation, short delivery time, reliable operation, low vibration, and low noise. Moreover, they are designed to provide usage experience of new full life circle for partners, as well as economic and efficient driven application solutions.

行业应用及优势 Application in the industry and advantages

适用行业:

电力、冶金、矿山、石化、水利、建材、市政、军工、核电、科研、船舶等。

Applicable industries

Electric power, metallurgy, mining, petrochemical, water conservancy, building materials, municipal engineering, military industry, nuclear power, scientific research, marine and etc.

适用负载:

本系列电动机用于驱动各种通用机械，如鼓风机、压缩机、水泵、破碎机、皮带机及其它机械设备。

Applicable load

This series of motors are used to drive all kinds of common machinery, such as blowers, compressors, water pumps, crushers, belt conveyors and other mechanical equipment.

优势:

- 功率密度大，在狭小的空间内发挥强大的性能。
- 紧凑型设计，为用户提供更多的安装选择。
- 高效率的电气设计方案，极低的全生命周期运行成本。
- 低振动、低噪音以及严格可控的温升。
- 整机高可靠性、极长的使用寿命。
- 提供定制化的设计及制造。
- 模块化设计，增加备件通用性，减少运维成本。

Advantage

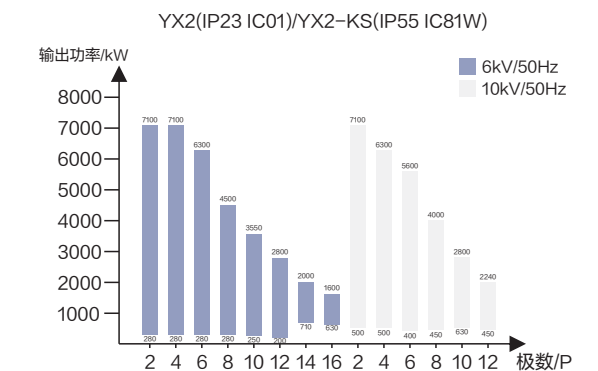
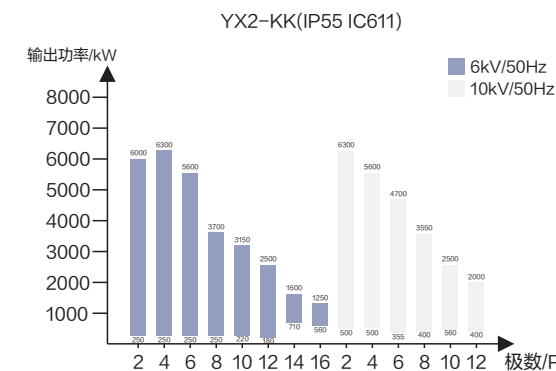
Large power density, able to output a powerful performance in a limited space.
 Optimization design, with flexible installation.
 Highly efficient electrical design with extremely low costs for full life cycle operating.
 Low vibration, low noise and strictly controlled temperature rise.
 High reliability and long lifetime.
 Modula design convenience the spars commonality and economical maintenance.

二、基本信息

ESSENTIAL INFORMATION

产品图片 Product picture	产品参数 Product parameter
	中心高范围: 355mm-630mm Frame size: 355mm-630mm
	功率范围: 180kW-7500kW Power range: 180kW-7500kW
	极数范围: 2-16 Poles Range of pole number: 2-16 Poles
	电压范围: 380V-13800V Voltage range: 380V-13800V
	防护等级: IP23/IP55 Degree of protection: IP23/IP55
	冷却方式: IC611/IC81W/IC01/... Cooling mode: IC611/IC81W/IC01/...
标准安装型式: IMB3/IM1001 卧式底脚安装 Standard mounting type: IMB3/IM1001 horizontal foot mounting.	安装方式: 卧式/立式 Installation: Horizontal/vertical
绝缘及温升等级: F/B Insulation and temperature rise grade: F/B	适用标准: GB/IEC Applicable standard: GB/IEC
	运行方式: 直接驱动/变频驱动 Model of operation: Direct drive/variable frequency drive.

功率范围: Power range



三、型号说明

TYPE DESIGNATION

YX2.0电机的型号遵循如下编码规则

The type of YX2.0 motor follows the following coding definition

示例: YX2 - KK450 - 2L

1. YX2电机类型
2. KK冷却方式, KK表示空-空冷, KS表示空-水冷却, 缺省时表示开启式
3. 450中心高, 单位mm; 355、400、450、500、560、630
4. 2极极数
5. L表示长机座, S表示短机座 (仅2P电机带此后缀)

Example: YX2 - KK450 - 2L

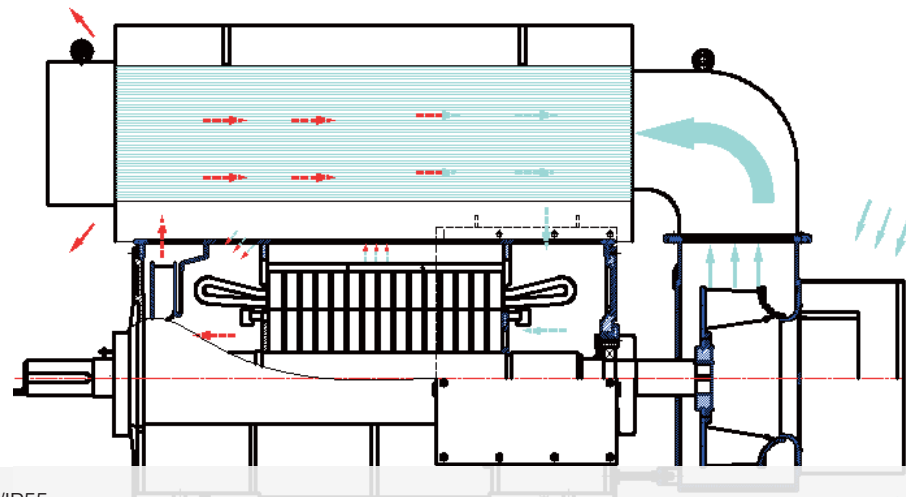
1. YX2 motor type
2. KK cooling mode, KK means air-air cooling, KS means air-water cooling, default time means open-type.
3. 450 center height, in the unit of mm; 355, 400, 450, 500, 560, 630.
4. The number of poles (2poles)
5. L represents for long frame, S represents for short frame(suffix only for 2P motor).

四、防护等级及冷却方式

PROTECTION LEVEL AND COOLING MODE

YX2.0系列电机标准组合:

Standard configuration of YX2.0 series motor



IC611/IP55

全封闭电机, 装有一个空-空冷却器。

Fully enclosed motor with an air-air cooler.

电机能防止灰尘触及或接近机壳内带电或转动部分, 且能承受任何方向的喷水。

The motor can prevent dust from touching or approaching the charged or rotating parts inside housing, and can withstand the water spray in any direction.

IC81W/IP55

全封闭结构, 配有空气-水冷却器。

Fully enclosed structure with air-water cooler.

电机能防止灰尘触及或接近机壳内带

电或转动部分, 且能承受任何方向的喷水。

The motor can prevent dust from touching or approaching the charged

or rotating parts inside housing and

can withstand the water spray in any

direction.

IC01/IP23

开启式冷却, 电机在轴上安装有一个内冷却风扇。

Open-type cooling. The motor is provided with an internal cooling fan on the shaft.

阻挡气载颗粒进入直接通往电机带电

部分的内部风路。电机具有防淋水功能,

能承受与铅垂线或60°角范围内的淋水。

The airborne particles into the internal

wind path which directly to the

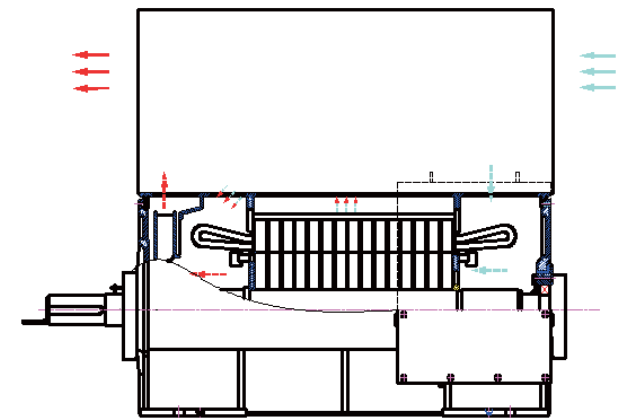
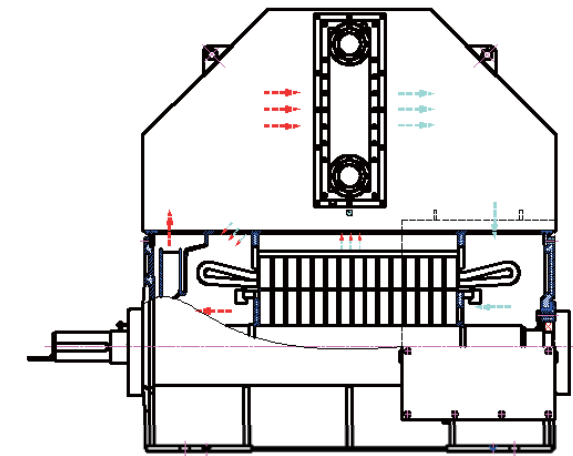
charged part of the motor can be

block. The motor has anti water

drenching function, and can withstand

drenching within the range of plumb

line or max 60°



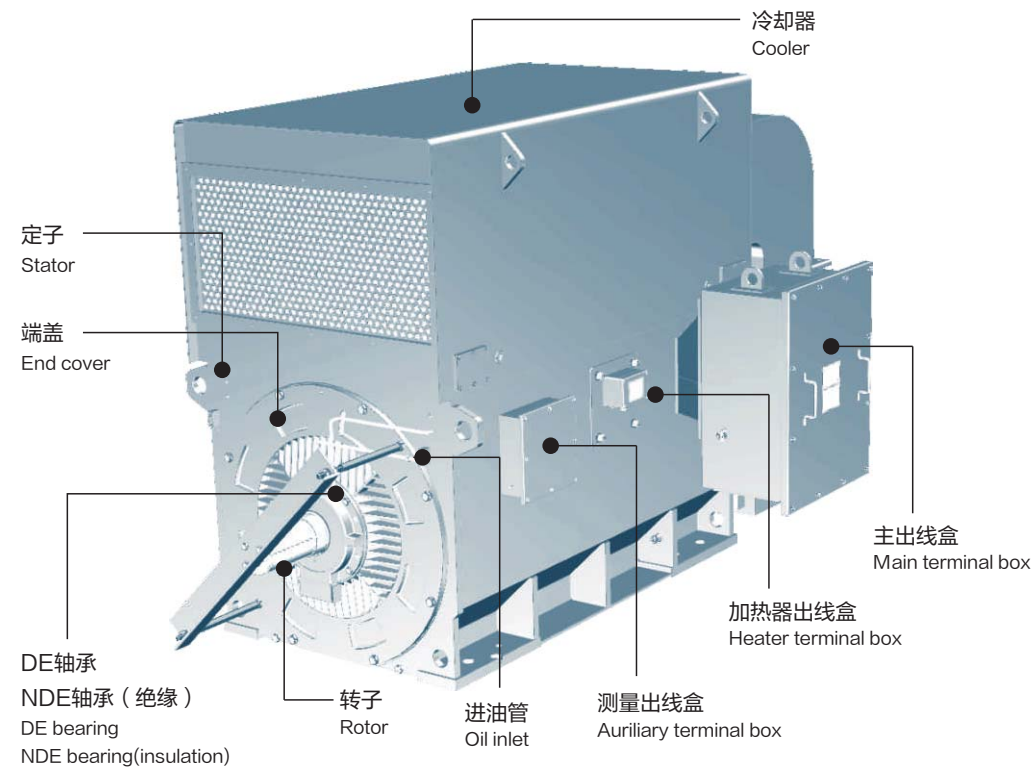
注: 本系列电动机可根据用户要求制成其他防护等级、冷却方式的电动机。

Note: The YX2.0 series can provide other customized protection degree and cooling method.



五、基本结构

FUNDAMENTAL STRUCTURE



本系列中，轴承为滚动轴承脂润滑结构（H500及以上中心高的2P电机除外），设有不停机注排油装置。电机也可根据用户要求采用滑动轴承结构，滑动轴承结构的电机根据电机中心高及转速分为自润滑及强迫油润滑两种方式，稀油润滑站由用户自备（除非订货合同中另有规定）。

It adopts rolling bearings with grease lubrication (Except for 2P motor with H500 frame size or higher) and provided with non-stop oil injection and discharge devices in basic series. The motors can adopt sliding bearing as required by the user. Its sliding bearing structure can be divided into self-lubricating and forced lubricating motors according to their height of center and speed. Thin oil lubricating station shall be provided by the user (unless otherwise specified in order specification).

转子采用铜排结构，转子铜排和端环采用先进可靠的焊接工艺，并经专用的转子铜排滚挤机在转子槽口处对铜排进行紧固处理，最大程度地避免了由于转子铜排松动造成的转子断排的可能性。

Rotors adopt copper bar structure. Advanced reliable welding process are applied to rotor copper bars and end links, moreover, copper bars are fastened at rotor slots with special rotor copper bar roller squeezers so as to maximally avoid possibility of broken rotors arising from looseness of rotor copper bars.



本系列电动机采用箱式结构，机座采用钢板焊接而成，重量轻、刚度好；基本安装型式为卧式带底脚结构IMB3，符合GB/T 997 IEC 60034-7《旋转电机结构及安装型式（IM代号）》的规定。

The series of motors adopt box-type structure. The frames are welded with steel plates which can perform light weight and proper rigidity. Basic installation type is horizontal type with foot structure IMB3, conforming to the provisions in GB/T 997 and IEC 60034-7 (IM code).



本系列中，端盖采用铸铁材质（滑动轴承除外），降低结构振动，并通过特殊的结构设计，大幅提高轴承散热能力。

In the basic series, the end cover is made of cast (Except for sliding bearing) iron to reduce structural vibration, and through special structural design, the heat dissipation capacity of bearing is greatly improved.



主出线盒防护等级为IP55，无特殊注明时装于电动机右侧（面对电动机主轴伸端看）。根据用户要求，电动机可带中性点出线盒，中性点出线盒装在主出线盒对面（电动机另一侧），防护等级为IP55。对于功率在2000kW及以上的电动机，可按订货要求在中性点出线盒里安装电流互感器（CT）供差动保护用。出线盒内、外均设有单独的接地端子。主出线盒可以90°、180°旋转。

Protection grade of main terminal box is IP55. Unless otherwise specified, the box can be installed on the right side of motors (from main shaft extension end) or on the left side of motors according to order requirements. Motors can be provided with neutral terminal box with protection grade of IP55 as required by the user. Neutral terminal can be installed on opposite to main outlet box (on the other side of motors). In terms of motors with power of 2000kW and above, the neutral terminal boxes can be provided with current transformer (CT) for differential protection according to order requirements. Earth terminals shall be respectively placed inside and outside of outlet box. Main outlet box can be rotated for 90°, 180°.

定子绕组、轴承均带双支铂电阻测温元件，分度号为Pt100，绕组每相两只共六只，轴承每个一只。

Stator winding assembly and bearing are provided with double platinum resistance temperature measuring elements with graduation number of Pt100. Total number of winding assembly are six, with 2 per phase, while one bearing is equipped for each motor.

电动机带防潮加热器（停机用）。

The motor is provided with anti-condensation heater (for shutdown).

六、轴承

BEARING

滚动轴承标准配置表单
Standard configuration form of rolling bearings

中心高 Frame size	极数 Number of poles	DE轴承 DE bearing	NDE轴承 NDE bearing
355	2P	6317/C3	6317/C3
	≥4P	6222/C3	6219/C3
400	2P	6318/C3	6318/C3
	≥4P	6224/C3	6222/C3
450	2P	NU1022/C3	6318/C3
	≥4P	6326/C3	6322/C3
500	≥4P	6330/C3	6326/C3
560	4P	6034/C3+NU1034/C3	NU1034/C3
	≥6P	6038/C3+NU1038/C3	NU1038/C3
630	4P	6038/C3+NU1038/C3	NU1038/C3
	≥6P	6044/C3+NU1044/C3	NU1044/C3

轴承选型计算主要考虑电机自身正常运转时轴承承受的载荷情况，而不考虑电机承受外部轴向或径向作用力。如产品设计选型时有特殊情况存在，如电机承受外部轴向或径向作用力、倾斜安装等，需重新进行轴承选型计算。

The calculation of bearing selection mainly considers the load of the bearing when the motor is running normally instead of considering external axial or radial forces which the motor should bear. In case special situation exists in product design selection, such as the motor withstands external axial or radial forces, oblique installation, etc., then the bearing selection should be re-calculated.

卧式电机的轴承寿命根据ISO281:1990来计算。基本额定寿命L10h是指在额定轴承负荷额定转速下，其中90%的轴承能回转到因转动疲劳而引起材料损伤之前的总运转小时数。YX2.0系列产品配套滚动轴承选型时，轴承基本额定寿命大多数可超过10万小时，不低于5万小时。

The service life of the bearing of horizontal motor is calculated according to ISO281:1990. The basic rating life L10h refers to that 90% of the bearings, at rated speed of rated bearing load, can return to total operating hours before material damage due to rotational fatigue. In the model selection of YX2.0 series products supporting rolling bearings, the basic rated life L 10h of most bearings can exceed 100,000 hours, not less than 50,000 hours.

润滑间隔和加脂量

Lubrication interval and relubrication amount

轴承型号 Bearing model	加脂量g Relubrication amount g	电机工作转速r/min Working speed of motor r/min				
		3000	1500	1000	750	≤600
		加脂时间间隔h Interval of relubrication h				
6219	30	1640	5030	6920	8130	8760
6222	40	1120	4100	6270	7440	8400
6224	45	—	3680	5900	7160	8102
6317	40	1640	5030	6920	8130	8760
6318	40	1450	4700	6700	7880	8600
6322	60	—	3400	5780	6950	7540
6324	70	—	3040	5300	6630	7280
6326	80	—	2700	4840	6380	7000
6328	90	—	2380	4420	6040	6750
6330	105	—	2110	4040	5760	6490
NU1022	25	900	2580	4700	6200	7220
NU1034	55	—	1500	2480	3880	5190
NU1034+6034	55+55	—	—	—	—	—
NU1038	70	—	1200	2020	3310	4530
NU1038+6038	70+70	—	—	—	—	—
NU1044	95	—	850	1450	2580	3660
NU1044+6044	95+95	—	—	—	—	—

注:

- 表中数据润滑间隔是一估算值，仅适用于轴承温度70℃及以下的工作状态，具体应用时，须根据不同的工作条件和轴承类型进行调整。
- 如果一个轴承装置中包含有多个轴承，而各轴承的加脂时间间隔不同，则补充润滑脂的时间间隔应取时间较短的。
- 如果一个轴承装置中配置有多个轴承，则总加脂量为单个轴承加脂量之和。

Note:


The lubrication interval of the data in the table is an estimated value, which is only applicable to the working state of the bearing with the temperature of 70°C or below. In the specific application, it shall be adjusted according to different working conditions and bearing types.

If a bearing device contains multiple bearings with different fatiquoring intervals for each bearing, the time interval for the supplement of lubricating grease shall be shorter.

If there are multiple bearings in a bearing device, the total fatiquoring amount is the sum of the fatiquoring amount of a single bearing.

滑动轴承标准配置表单

Standard configuration form of sliding bearings

示意图 Schematic diagram	中心高 Center height	极数 Number of poles	DE轴承 DE bearing	NDE轴承 NDE bearing	润滑类型 Lubrication type
	500	2P	11-100	11-100J	强迫润滑 Forced lubrication
		≥4P	14-125	14-125J	强迫润滑 Forced lubrication
	560	2P	14-140	14-140J	强迫润滑 Forced lubrication
		4P	18-160	18-160J	强迫润滑 Forced lubrication
		≥6P	18-160	18-160J	强迫润滑 Forced lubrication
	630	2P	14-160	14-160J	强迫润滑 Forced lubrication
		4P	18-180	18-180J	强迫润滑 Forced lubrication
		≥6P	18-200	18-200J	强迫润滑 Forced lubrication

注：如果环境温度超过40℃或者采用非标准配置请联系上电。

Note: if ambient temperature exceeds 40℃ or non-standard configuration is adopted, please contact Shanghai Electric Machinery Co., Ltd.

采用滑动轴承的转子的轴向窜动相对于机械中心为±8mm (2p±5mm)，不允许连续施加轴向力，以确保转子位置不超出轴向窜动范围。

The axial movement of standard rotor is ±8mm(2p±5mm) relative to mechanical center. Continuous axial force is not allowed to be applied to ensure that the position of the rotor does not exceed the range of axial movement.

NDE滑动轴承内部是绝缘的，以避免轴电流对轴承造成伤害。

NDE sliding bearings are insulated internally to prevent shaft current from damaging the bearings.

润滑间隔和加油量见滑动轴承维护标牌。

For lubrication interval and oiling amount, please see sliding bearing maintenance label.

七、振动、噪音

VIBRATION, NOISE

本系列电机振动符合GB/T 10068和IEC 60034-14的规定，噪声符合GB 10069.3和IEC 60034-9的规定。

The vibration of the motor of this series conforms to the regulations in GB/T 10068 and IEC 60034-14, and the noise conforms to the regulations in GB 10069.3 and IEC 60034-9.

标准振动限值

Limiting value of standard vibration

振动等级 Vibration grade	极数 Number of poles	转速 Rpm	振动速度 Vibration speed [mm/s]	振动位移 Vibration displacement [μm]
A	2	1800 < n ≤ 3600	2.3	37
	≥ 4	n ≤ 1800	2.3	37

注：1. 振动测量量值是电机轴承处的振动位移、速度。

Note: the measured value of vibration is the vibration displacement, velocity.

2. 测试条件是在电机空载运行，刚性安装情况下进行。

The test is carried out under the condition of no-load operation of the motor and rigid installation.

标准噪音限值

Limiting value of standard noise

空载最大A计权声功率级LwA (dB) (部分内容节选)

(冷却方式, IC的代码, 见GB/T 1993-1993) (防护等级, IP的代码, 见GB/T 4942.1-2006)

Maximum A-weighted sound power level, LwA in dB, at no-load (excerpts)

(Method of cooling, IC code, see GB/T 1993-1993) (Method of protection, IP code, see GB/T 4942.1-2006)

额定转速 Rated speed nN/r/min	n _n ≤ 960			960 < n _n ≤ 1320			1320 < n _n ≤ 1900			1900 < n _n ≤ 2360			2360 < n _n ≤ 3150			3150 < n _n ≤ 3750		
冷却方式 IC 防护等级 IP	①	②	③	①	②	③	①	②	③	①	②	③	①	②	③	①	②	③
额定输出 PN/kW(kVA) Out power PN/kW(kVA)	① 冷却方式IC01、IC11、IC21及防护等级IP22、IP23。 ② 冷却方式IC411、IC511、IC611及防护等级IP44、IP55。 ③ 冷却方式IC31、IC71W、IC81W、IC8A1W7及防护等级IP44、IP55。									IC code IC01、IC11、IC21 and IP code IP22、IP23。 IC code IC411、IC511、IC611 and IP code IP44、IP55。 IC code IC31、IC71W、IC81W、IC8A1W7 and IP code IP44、IP55。								
1 ≤ P _N ≤ 220																		
220 < P _N ≤ 550	99	102	98	103	105	100	106	108	102	106	109	102	107	111	102	110	113	105
550 < P _N ≤ 1100	101	105	100	106	108	103	108	111	104	108	111	104	109	112	104	111	116	106
1100 < P _N ≤ 2200	103	107	102	108	110	105	109	113	105	109	113	105	110	113	105	112	118	107
2200 < P _N ≤ 5500	105	109	104	110	112	106	110	115	106	111	115	107	112	115	107	114	120	109

注：根据中华人民共和国国家标准《GB 10069.3-2008旋转电机噪音测定方法及限值 第3部分：噪音限值》，噪音可用声功率级或声压级标识，单位均为分贝(dB)。电机噪音一般按照声功率级考核，声功率级和声压级数值根据电机大小(包络面面积)不同有较大差异，一般情况下声功率级比声压级数值大15-18分贝。

Note: According to the State Standard of the People's Republic of China GB 10069.3 2008 the noise measurement method and limiting value of rotary motor; part 3: Limiting value of noise, noise may be identified by sound power level or sound pressure level, with the unit of dB. Motor noise is generally assessed according to sound power level, the values of sound power level and sound pressure level vary greatly according to the size (the area of the envelope) of motor and under normal circumstances, sound power level is 15 ~ 18 dB greater than the numerical value of sound pressure level.

八、注意事项

ATTENTION

电动机的起动

Start-up of motor

本系列电动机采用了先进的计算分析技术对电动机起动过程中每一点的定子绕组温升、转子铜排温度、端环温度等进行了详细的计算分析，确保电动机部件的最热点温度（如考虑起动集肤效应时转子铜排的最热点温度）在允许的范围内，避免了电动机因起动负荷过重而导致电动机早期损坏。

Advanced computational analysis technique has been applied in the series of motor to make detailed computational analysis of stator winding assembly temperature rise, rotor copper bar temperature, end ring temperature at all points in motor starting process so as to ensure that temperature at the hottest point of motor component (e.g. consideration of hottest point temperature of the rotor copper bars in case of starting skin effect) is within acceptable limit and avoid motors from early damage arising from starting overload.

建议用户核查

It is recommended for the user to check

1、用户的电网应保证电动机在起动过程中的电动机端电压不低于额定电压的85%，在此条件下，水泵负载可直接选用样本中的各规格电动机。

Power grid of the user shall make sure that voltage of motors at motor side is no less than 85% of rated voltage during starting process. Under the condition, motors with different specifications in samples can be directly selected for water pump load.

2、对风机负载，除满足条件1外，当负载的阻力矩与转速的平方成正比并在起动终止达到电动机额定转速时，风机阻转矩小于电动机额定转矩的35%，电动机允许驱动的风机最大转动惯量见样本中所列值（风机转动惯量需折算到电动机转速）。

In terms of fan load, in case resisting moment of load is in direct proportion to speed and reaches rated speed of motors at the end of starting, fan resistance torque shall be less than 35% of rated torque of motors (in addition to satisfying condition 1); maximum allowable rotational inertia of fan driven by motors is shown in value listed in the sample (rotational inertia of fan needs to be converted into motor speed).

注：在上述条件下，电动机允许在实际冷状态下连续起动两次，两次起动之间为自然停车，或在电动机热状态下起动一次。额外的再次起动应在电动机停车二小时以后进行。

Under the above-sated conditions, motors can be consecutively started for twice under actual cooling state, naturally shut down between the two starting or started once under motor heat condition. Additional re-starting shall be conducted two hours after motor shutdown.

特殊要求

Special requirements

1. 对磨机、破碎机等重载起动的负载；

Starting load of mill, crusher and others.

2. 转动惯量超过技术数据表中Jload值的风机，或者开阀起动的风机；

Fan with rotational inertia exceeding value Jload in technical data sheet or that subject to open valve starting.

3. 要求频繁起动的工况；

Operating conditions under which frequent starting is required.

4. 起动过程中电动机端电压小于额定电压的85%的情况；

Voltage at motor end is lower than 85% of rated voltage in starting process.

5. 特殊的电压等级和频率；

Special voltage class and frequency.

6. 对于效率、功率因数、最大转矩、启动转矩、启动电流有特殊要求；

Special requirements for efficiency, power factor, maximum torque, starting torque and starting current.

7. 有其它特殊要求（如安装型式、防护等级、防腐要求、冷却方式、环境温度大于40℃或低于0℃、海拔高度大于1000m、电动机轴伸需承受联轴器以外的径向力或轴向力、自润滑等）；

Other special requirements (such as installation type, protection grade, requirements for anti-corrosion, cooling mode, environmental temperature being more than 40℃ or lower than 0℃, altitude being higher than 1000m, radial force or axial force outside coupler born by motor shaft extension, and self-lubricating).

注：1. 有上述特殊要求的电机请在订货时提出并签订必要的技术协议。

Note: In case of above-stated special requirements, please put forward them and sign necessary technical agreement at the time of ordering for any of these motors.

2. 随着技术的进步和有关标准的修改，系列电机数据可能有一定更改，恕不另行通知，订货后请向本公司索取正式外形图。

With technical progress and modification of relevant standards, data of the series of motor are subject to change without further notice. Please ask the company for official outline drawings after ordering.

订货须知

Instructions to order

订货时请注明：

Please note the following contents at the time of ordering:

电动机型号 Motor model	YX2-KK500-4	额定功率 Rated power	2500kW
额定电压 Rated voltage	6000V	极数 Pole number	4极
额定频率 Rated frequency	50Hz	安装方式 Way to install	IMB3
防护等级 Protection grade	IP55	冷却方式 Cooling model	IC611
轴承形式 Bearing form	滚动轴承（进口/国产） Rolling bearing (imported/domestic)	负载性质 Load characteristic	风机 Fan
环境条件 Environmental conditions	海拔≤1000m，环境温度0℃~40℃ altitude ≤1000m; environment temperature: 0℃~40℃		
旋转方向 Direction of rotation	顺时针（从轴伸端看） clockwise (from shaft extension end)		
主出线盒位置 Position of Main terminal box	右侧（面对轴伸端看） Opposite to main outlet box		
中性点出线盒位置（如有） Position of neutral outlet box(if any)	在主出线盒的对面 Opposite to main outlet box		

注：对于进口件，我公司仅采购该品牌产品而不限产地。如合同中未要求品牌则按本厂标准。

Note: In terms of imported parts, our company just purchase products of the brand and do not limit place of origin. Unless otherwise required herein, the brand shall be adopted as per the standards of the plant.

九、主要技术数据

MAIN TECHNICAL DATA

6千伏空空冷 6kV Air-air cooling

型号 Type	功率 Rated Power (kW)	转速 Speed (r/min)	效率 Efficiency (%)			功率因数 Power Factor (cosφ)			额定 电流 Current (A)	启动 电流 倍数 I _s	空载 电流 I ₀	额定 转矩 Rated Torque (N·m)	启动 转矩 倍数 Tst*	最大 转矩 倍数 Tm*	转子转 动惯量 Moment of Inertia (kg/m ²)	电机 总重 Weight (kg)
			100% Load	75% Load	50% Load	100% Load	75% Load	50% Load								
YX2-KK355-2S	280	2968	91.5%	91.4%	89.9%	0.896	0.887	0.845	32.9	4.5	7.9	901	0.4	2.0	2.5	2460
YX2-KK355-2S	315	2963	91.5%	91.6%	90.5%	0.895	0.893	0.861	37.0	4.0	7.9	1015	0.3	1.8	2.5	2460
YX2-KK355-2S	355	2963	92.1%	92.3%	91.4%	0.901	0.903	0.878	41.2	4.0	7.9	1144	0.3	1.8	2.9	2500
YX2-KK355-2S	400	2964	92.6%	92.9%	92.1%	0.905	0.908	0.886	45.9	4.0	8.4	1289	0.3	1.8	3.3	2700
YX2-KK355-2S	450	2971	93.2%	93.4%	92.6%	0.909	0.902	0.865	51.1	5.0	11.2	1447	0.4	2.2	3.7	2800
YX2-KK355-2L	500	2970	93.5%	93.8%	93.1%	0.912	0.909	0.879	56.4	5.0	11.3	1608	0.4	2.0	4.1	2990
YX2-KK355-2L	560	2975	94.2%	94.3%	90.0%	0.910	0.900	0.857	62.8	5.5	14.6	1798	0.5	2.4	4.5	3090
YX2-KK355-2L	630	2975	94.5%	94.7%	94.1%	0.912	0.902	0.862	70.4	5.5	16.0	2023	0.5	2.4	4.9	3190
YX2-KK355-4	250	1485	94.3%	94.4%	93.6%	0.877	0.845	0.764	29.1	6.5	10.0	1608	0.8	2.8	5.6	2410
YX2-KK355-4	280	1483	94.2%	94.5%	93.9%	0.884	0.860	0.791	32.3	6.0	10.0	1804	0.7	2.4	5.6	2530
YX2-KK355-4	315	1483	94.6%	94.8%	94.4%	0.890	0.868	0.804	36.0	6.0	10.6	2029	0.7	2.4	6.4	2660
YX2-KK355-4	355	1480	94.4%	94.8%	94.6%	0.894	0.880	0.827	40.5	5.0	10.6	2290	0.6	2.2	6.4	2705
YX2-KK355-4	400	1483	94.7%	95.1%	94.7%	0.875	0.847	0.771	46.5	6.0	15.2	2576	0.7	2.4	6.4	2750
YX2-KK355-4	450	1486	95.3%	95.5%	95.1%	0.873	0.839	0.755	52.1	6.5	18.2	2893	0.9	2.8	8.0	2795
YX2-KK355-4	500	1485	95.5%	95.7%	95.4%	0.879	0.849	0.770	57.3	6.5	19.1	3215	0.8	2.6	8.8	2840
YX2-KK355-4	560	1486	95.7%	95.9%	95.7%	0.881	0.852	0.775	64.0	6.5	20.9	3600	0.8	2.6	9.5	2890
YX2-KK355-6	250	991	94.4%	94.4%	93.5%	0.835	0.786	0.681	30.5	6.5	13.0	2410	1.0	2.8	9.3	2570
YX2-KK355-6	280	989	94.3%	94.5%	93.8%	0.848	0.808	0.714	33.7	6.0	13.0	2703	0.9	2.6	9.3	2650
YX2-KK355-6	315	990	94.6%	94.7%	94.1%	0.844	0.802	0.704	38.0	6.5	15.1	3040	0.9	2.6	10.3	2730
YX2-KK355-6	355	991	94.9%	94.9%	94.2%	0.827	0.776	0.668	43.5	6.5	19.0	3423	1.0	2.8	11.3	2810
YX2-KK355-6	400	991	95.4%	95.4%	94.7%	0.824	0.772	0.663	49.0	6.5	21.6	3854	1.0	2.8	13.4	2970
YX2-KK355-6	450	991	95.6%	95.6%	94.9%	0.822	0.770	0.660	55.2	6.5	24.4	4337	1.0	2.8	14.4	3060
YX2-KK355-8	250	741	94.2%	94.3%	93.7%	0.796	0.745	0.635	32.1	5.5	14.6	3223	0.9	2.2	12.4	2840
YX2-KK355-8	280	741	94.4%	94.6%	94.1%	0.799	0.751	0.644	35.7	5.0	15.8	3611	0.8	2.2	13.4	2935
YX2-KK355-8	315	741	94.5%	94.8%	94.3%	0.799	0.751	0.645	40.2	5.0	17.7	4062	0.8	2.2	14.5	3030
YX2-KK400-2S	710	2982	94.5%	94.4%	93.3%	0.894	0.873	0.812	80.9	6.0	23.2	2274	0.5	2.6	6.2	3330
YX2-KK400-2S	800	2982	94.9%	94.8%	93.9%	0.900	0.883	0.828	90.2	6.0	24.1	2562	0.5	2.6	6.9	3480
YX2-KK400-2S	900	2983	95.2%	95.1%	94.3%	0.891	0.869	0.805	102.2	6.0	30.0	2882	0.5	2.6	7.2	3580
YX2-KK400-2L	1000	2983	95.4%	95.4%	94.7%	0.907	0.892	0.843	111.2	6.0	28.0	3202	0.5	2.6	8.6	3930
YX2-KK400-2L	1120	2984	95.7%	95.7%	95.0%	0.900	0.880	0.820	125.2	6.5	34.9	3584	0.5	2.8	9.3	4080
YX2-KK400-4	630	1485	95.1%	95.2%	94.7%	0.884	0.861	0.795	72.1	6.0	21.7	4051	0.6	2.4	11.7	3250
YX2-KK400-4	710	1485	95.3%	95.5%	95.1%	0.890	0.871	0.811	80.6	5.5	22.6	4567	0.6	2.4	12.8	3355
YX2-KK400-4	800	1485	95.4%	95.7%	95.4%	0.892	0.875	0.817	90.4	5.5	24.8	5146	0.6	2.4	14.0	3460
YX2-KK400-4	900	1485	95.7%	96.0%	95.7%	0.889	0.870	0.811	101.8	5.5	28.6	5788	0.6	2.4	15.1	3565
YX2-KK400-4	1000	1488	96.1%	96.2%	95.6%	0.850	0.807	0.708	117.8	7.0	46.6	6417	0.9	3.0	17.4	3780
YX2-KK400-6	500	990	95.3%	95.4%	94.9%	0.805	0.758	0.652	62.7	5.5	27.3	4825	0.8	2.4	16.2	3285

型号 Type	功率 Rated Power (kW)	转速 Speed (r/min)	效率 Efficiency (%)			功率因数 Power Factor (cosφ)			额定 电流 Current (A)	启动 电流 倍数 I _s	空载 电流 I ₀	额定 转矩 Rated Torque (N·m)	启动 转矩 倍数 Tst*	最大 转矩 倍数 Tm*	转子转 动惯量 Moment of Inertia (kg/m ²)	电机 总重 Weight (kg)
			100% Load	75% Load	50% Load	100% Load	75% Load	50% Load								
YX2-KK400-6	560	989	95.5%	95.6%	95.2%	0.812	0.768	0.667	69.5	5.5	29.1	5405	0.8	2.2	17.7	3390
YX2-KK400-6	630	989	95.6%	95.8%	95.4%	0.811	0.768	0.667	78.2	5.5	32.6	6082	0.8	2.2	19.1	3495
YX2-KK400-6	710	989	95.8%	96.0%	95.8%	0.835	0.803	0.717	85.4	5.0	31.1	6856	0.7	2.0	22.0	3700
YX2-KK400-8	355	743	95.1%	95.3%	94.8%	0.815	0.766	0.660	44.1	5.5	19.1	4564	0.7	2.4	20.2	3270
YX2-KK400-8	400	742	94.9%	95.3%	95.1%	0.827	0.789	0.695	49.0	5.0	19.1	5150	0.6	2.0	20.2	3360
YX2-KK400-8	450	742	95.2%	95.5%	95.2%	0.818	0.776	0.677	55.6	5.0	22.7	5795	0.7	2.2	21.9	3470
YX2-KK400-8	500	742	95.3%	95.6%	95.2%	0.810	0.765	0.661	62.4	5.0	26.5	6437	0.7	2.2	23.6	3570
YX2-KK400-10	220	592	93.8%	94.0%	93.2%	0.717	0.654	0.534	31.5	4.5	17.0	3547	0.6	2.0	17.0	3130
YX2-KK400-10	250	592	94.1%	94.2%	93.5%	0.710	0.647	0.527	36.0	4.0	19.6	4030	0.6	2.0	18.6	3235
YX2-KK400-10	280	593	94.2%	94.2%	93.3%	0.694	0.625	0.502	41.2	4.5	23.6	4510	0.6	2.0	20.3	3340
YX2-KK400-10	315	592	94.0%	94.1%	93.3%	0.693	0.627	0.506	46.5	4.0	26.2	5078	0.6	1.8	22.0	3430
YX2-KK400-10	355	592	94.2%	94.4%	93.7%	0.703	0.643	0.525	51.6	4.0	27.7	5727	0.6	1.8	23.6	3530
YX2-KK400-12	180	492	93.2%	93.7%	93.4%	0.736	0.693	0.588	25.3	3.5	11.7	3495	0.5	1.6	20.3	3310
YX2-KK400-12	200	492	93.5%	94.0%	93.6%	0.726	0.679	0.571	28.3	3.5	13.6	3881	0.6	1.6	22.0	3420
YX2-KK400-12	220	493	93.7%	93.9%	93.3%	0.708	0.651	0.535	31.9	4.0	16.7	4263	0.6	1.6	23.7	3530
YX2-KK450-2S	1250	2980	95.6%	95.8%	95.3%	0.897	0.883	0.832	140.3	5.0	35.9	4007	0.3	2.2	11.1	4530
YX2-KK450-2L	1400	2981	96.0%	96.1%	95.7%	0.898	0.882	0.829	156.3	5.5	41.0	4484	0.4	2.4	12.7	4780
YX2-KK450-2L	1600	2983	96.3%	96.4%	96.0%	0.899	0.881	0.825	177.8	6.0	47.9	5122	0.4	2.6	14.8	525
YX2-KK450-2L	1700	2985	96.4%	96.5%	96.0%	0.890	0.865	0.796	190.7	6.0	57.8	5440	0.4	2.8	15.6	5450
YX2-KK450-2L	1800	2985	96.5%	96.5%	96.1%	0.897	0.874	0.808	200.1	6.5	58.7	5759	0.5	2.8	15.6	5450
YX2-KK450-4	1120	1487	95.7%	95.8%	95.3%	0.886	0.868	0.808	127.1	5.5	35.8	7195	0.6	2.2	24.3	4520
YX2-KK450-4	1250	1488	96.0%	96.0%	95.5%	0.874	0.848	0.776	143.4	6.0	45.5	8025	0.6	2.4	26.3	4660
YX2-KK450-4	1400	1488	96.2%	96.3%	95.8%	0.876	0.849	0.776	159.8	6.5	51.2	8983	0.7	2.6	30.3	4940
YX2-KK450-4	1600	1489	96.5%	96.5%	96.1%	0.863	0.829	0.743	184.8	7.0	65.7	10260	0.7	2.8	34.2	5210
YX2-KK450-6	800	991	95.9%	96.0%	95.6%	0.831	0.794	0.702	96.6	5.5	37.1	7709	0.6	2.2	29.5	4330
YX2-KK450-6	900	991	96.1%	96.3%	96.0%	0.860	0.837	0.766	104.8	5.0	33.3	8676	0.6	2.2	34.8	4590
YX2-KK450-6	1000	991	96.2%	96.4%	96.1%	0.850	0.820	0.739	117.7	5.5	40.7	9635	0.6	2.2	37.5	4720
YX2-KK450-6	1120	992	96.3%	96.5%	96.1%	0.830	0.790	0.694	134.9	5.5	53.1	10784	0.7	2.4	40.1	4850
YX2-KK450-6	1250	992	96.5%	96.6%	96.2%	0.822	0.778	0.676	151.6	6.0	62.8	12029	0.7	2.4	45.4	5120
YX2-KK450-8	560	742	95.3%	95.6%	95.3%	0.825	0.787	0.692	68.5	5.0	26.9	7210	0.7	2.2	34.4	4280
YX2-KK450-8	630	742	95.5%	95.7%	95.4%	0.823	0.785	0.689	77.2	5.0	30.4	8112	0.7	2.2	37.5	4410
YX2-KK450-8	710	742	95.5%	95.8%	95.5%	0.813	0.769	0.668	88.0	5.5	36.6	9138	0.8	2.2	40.6	4540
YX2-KK450-8	800	742	95.7%	96.0%	95.7%	0.825	0.787	0.691	97.4	5.5	38.3	10295	0.8	2.2	46.7	4800
YX2-KK450-8	900	743	95.9%	96.2%	95.8%	0.818	0.775	0.675	110.4	5.5	45.4	11576	0.8	2.2	52.9	5060

型号 Type	功率 Rated Power (kW)	转速 Speed (r/min)	效率 Efficiency (%)			功率因数 Power Factor (cosφ)			额定 电流 Current (A)	启动 电流 倍数 I _{st}	空载 电流 I ₀	额定 转矩 Rated Torque (N·m)	启动 转矩 倍数 T _{st} *	最大 转矩 倍数 T _m *	转子转 动惯量 Moment of Inertia (kg/m ²)	电机 总重 Weight (kg)
			100% Load	75% Load	50% Load	100% Load	75% Load	50% Load								
YX2-KK450-12	450	494	94.6%	94.7%	94.1%	0.716	0.644	0.517	64.0	5.0	36.4	8708	1.2	2.4	50.1	5300
YX2-KK500-2S	2000	2986	96.2%	96.2%	95.6%	0.907	0.892	0.843	220.6	6.0	55.3	6397	0.3	2.6	23.4	6450
YX2-KK500-2L	2240	2988	96.6%	96.5%	95.9%	0.910	0.893	0.841	245.2	6.5	63.0	7160	0.3	2.8	28.9	7050
YX2-KK500-2L	2500	2988	96.7%	96.7%	96.2%	0.911	0.895	0.842	272.8	6.5	69.9	7989	0.4	2.8	32.1	7600
YX2-KK500-2L	2600	2988	96.8%	96.8%	96.3%	0.913	0.898	0.849	283.4	6.0	69.9	8310	0.3	2.8	32.1	7600
YX2-KK500-4	1800	1490	96.2%	96.3%	95.9%	0.909	0.902	0.865	198.1	5.5	43.1	11539	0.5	2.2	47.3	6010
YX2-KK500-4	2000	1490	96.4%	96.5%	96.2%	0.907	0.899	0.859	220.1	5.5	49.5	12820	0.5	2.2	50.7	6260
YX2-KK500-4	2240	1490	96.6%	96.8%	96.5%	0.912	0.907	0.874	244.6	5.5	50.5	14358	0.5	2.2	57.3	6640
YX2-KK500-4	2500	1491	96.8%	96.9%	96.6%	0.906	0.896	0.852	274.4	6.0	64.1	16018	0.5	2.2	60.7	6830
YX2-KK500-4	2600	1492	97.0%	97.0%	96.6%	0.887	0.863	0.794	290.7	6.5	88.4	16642	0.6	2.6	64.0	7020
YX2-KK500-6	1400	991	96.2%	96.5%	96.4%	0.886	0.874	0.822	158.0	5.5	40.9	13490	0.6	2.0	66.9	6040
YX2-KK500-6	1600	992	96.5%	96.7%	96.5%	0.872	0.848	0.778	182.9	6.0	57.0	15399	0.7	2.4	77.2	6400
YX2-KK500-6	1800	992	96.7%	96.9%	96.7%	0.875	0.853	0.785	204.7	6.0	62.0	17322	0.7	2.4	87.4	6760
YX2-KK500-6	2000	993	96.8%	96.9%	96.6%	0.852	0.817	0.729	233.3	6.5	84.8	19233	0.8	2.4	92.5	6940
YX2-KK500-8	1000	744	96.1%	96.3%	96.0%	0.827	0.796	0.711	121.1	5.0	44.2	12839	0.6	2.0	72.3	5820
YX2-KK500-8	1120	744	96.3%	96.4%	96.1%	0.822	0.785	0.693	136.2	5.5	52.8	14371	0.7	2.2	82.5	6140
YX2-KK500-8	1250	745	96.5%	96.6%	96.2%	0.818	0.777	0.679	152.3	6.0	61.8	16028	0.7	2.2	97.7	6620
YX2-KK500-8	1400	745	96.6%	96.6%	96.1%	0.793	0.743	0.634	175.8	6.0	79.0	17946	0.8	2.4	102.8	6790
YX2-KK500-10	710	593	95.7%	96.1%	96.1%	0.846	0.823	0.750	84.4	4.5	27.4	11436	0.6	2.0	72.6	5900
YX2-KK500-10	800	593	95.9%	96.3%	96.3%	0.846	0.822	0.748	94.9	5.0	31.1	12877	0.6	2.0	82.8	6220
YX2-KK500-10	900	595	96.2%	96.3%	96.0%	0.815	0.769	0.665	110.4	5.5	46.8	14453	0.8	2.4	98.1	6700
YX2-KK500-10	1000	595	96.2%	96.3%	95.9%	0.795	0.741	0.628	125.8	6.0	58.1	16053	0.8	2.4	103.2	6850
YX2-KK500-12	500	494	95.2%	95.5%	95.3%	0.793	0.749	0.645	63.7	5.0	27.4	9668	0.7	2.0	67.5	5760
YX2-KK500-12	560	494	95.3%	95.6%	95.3%	0.780	0.731	0.621	72.5	5.0	33.0	10824	0.8	2.0	72.6	5920
YX2-KK500-12	630	494	95.5%	95.8%	95.5%	0.788	0.740	0.633	80.6	5.0	35.8	12174	0.8	2.0	82.9	6230
YX2-KK500-12	710	495	95.7%	95.9%	95.5%	0.777	0.725	0.613	91.9	5.0	42.7	13712	0.8	2.2	93.1	6540
YX2-KK500-12	800	495	95.6%	95.7%	95.2%	0.741	0.676	0.553	108.6	5.5	57.7	15434	0.9	2.4	103.4	6840
YX2-KK560-2L	2800	2988	96.8%	96.5%	95.7%	0.910	0.890	0.830	304.4	7.0	81.8	8949	0.4	2.8	45.3	10400
YX2-KK560-2L	3150	2986	96.8%	96.7%	96.1%	0.919	0.905	0.858	340.7	6.5	81.8	10073	0.4	2.8	45.3	10600
YX2-KK560-2L	3550	2987	97.1%	97.0%	96.4%	0.927	0.914	0.872	379.5	7.0	86.1	11349	0.4	3.0	55.4	11100
YX2-KK560-2L	4000	2987	97.2%	97.2%	96.7%	0.932	0.923	0.888	425.0	6.5	86.8	12790	0.4	2.8	57.9	11300
YX2-KK560-2L	4500	2987	97.3%	97.3%	96.8%	0.922	0.908	0.863	482.3	7.0	113.3	14386	0.4	3.0	60.4	11500
YX2-KK560-4	2800	1491	96.4%	96.4%	95.8%	0.884	0.861	0.796	316.1	6.0	94.5	17929	0.5	2.4	82.9	9010
YX2-KK560-4	3150	1492	96.7%	96.6%	96.0%	0.877	0.848	0.772	357.6	6.5	116.9	20161	0.6	2.8	93.8	9450
YX2-KK560-4	3550	1492	96.9%	96.8%	96.4%	0.891	0.870	0.807	395.8	6.5	114.3	22724	0.6	2.6	104.7	9890
YX2-KK560-4	4000	1492	97.0%	97.0%	96.6%	0.897	0.879	0.823	442.4	6.5	119.8	25608	0.6	2.6	115.7	10330
YX2-KK560-4	4500	1492	97.1%	97.2%	96.9%	0.910	0.899	0.855	489.9	6.0	114.8	28813	0.6	2.4	132.0	10980
YX2-KK560-6	2240	993	96.7%	96.8%	96.4%	0.875	0.853	0.786	254.9	5.5	77.0	21534	0.5	2.2	121.0	9060
YX2-KK560-6	2500	994	96.8%	96.9%	96.6%	0.875	0.852	0.783	283.9	6.0	87.0	24026	0.6	2.4	135.9	9400
YX2-KK560-6	2800	994	97.0%	97.1%	96.7%	0.864	0.835	0.755	321.3	6.0	108.5	26899	0.6	2.4	150.8	9750
YX2-KK560-6	3150	995	97.1%	97.1%	96.6%	0.828	0.781	0.677	376.9	7.0	158.2	30240	0.7	2.8	165.8	10120
YX2-KK560-6	3350	995	97.2%	97.2%	96.8%	0.852	0.812	0.717	389.0	7.0	148.9	32153	0.7	2.8	195.7	10800
YX2-KK560-6	3550	995	97.2%	97.3%	96.9%	0.858	0.822	0.733	409.6	7.0	148.9	34083	0.7	2.6	195.7	11070
YX2-KK560-8	1600	745	96.7%	96.7%	96.3%	0.826	0.790	0.699	192.8	5.5	73.7	20502	0.6	2.2	136.4	8930

型号 Type	功率 Rated Power (kW)	转速 Speed (r/min)	效率 Efficiency (%)			功率因数 Power Factor (cosφ)			额定 电流 Current (A)	启动 电流 倍数 I _{st}	空载 电流 I ₀	额定 转矩 Rated Torque (N·m)	启动 转矩 倍数 T _{st} *	最大 转矩 倍数 T _m *	转子转 动惯量 Moment of Inertia (kg/m ²)	电机 总重 Weight (kg)
			100% Load	75% Load	50% Load	100% Load	75% Load	50% Load								
YX2-KK560-8	1800	745	96.8%	96.9%	96.5%	0.838	0.808	0.725	213.7	5.5	75.9	23068	0.5	2.2	153.3	9350
YX2-KK560-8	2000	745	96.9%	97.0%	96.7%	0.838	0.807	0.724	237.0	5.5	84.4	25627	0.5	2.2	170.1	9830
YX2-KK560-8	2240	745	97.0%	97.1%	96.8%	0.847	0.819	0.741	262.4	5.5	89.3	28699	0.5	2.2	195.4	10460
YX2-KK560-8	2500	746	97.0%	97.1%	96.7%	0.823	0.784	0.688	301.1	6.0	119.2	32013	0.6	2.2	212.2	10880
YX2-KK560-8	2700	746	97.1%	97.1%	96.7%	0.801	0.753	0.647	334.3	6.0	146.0	34569	0.6	2.4	220.7	11060
YX2-KK560-10	1120	594	95.9%	96.2%	96.0%	0.842	0.817	0.740	133.5	5.0	44.9	18022	0.6	2.0	133.9	8560
YX2-KK560-10	1250	593	96.0%	96.3%	96.1%	0.840	0.815	0.738	149.3	5.0	50.2	20117	0.6	2.0	143.4	8770
YX2-KK560-10	1400	593	96.0%	96.4%	96.4%	0.851	0.834	0.769	164.9	4.5	49.8	22543	0.5	1.8	162.2	9190
YX2-KK560-10	1600	594	96.4%	96.7%	96.5%	0.852	0.830	0.759	187.5	5.0	59.6	25733	0.6	2.0	200.0	10030
YX2-KK560-10	1800	594	96.5%	96.7%	96.6%	0.845	0.819	0.741	212.4	5.0	71.9	28935	0.6	2.0	218.9	10450
YX2-KK560-10	2000	595	96.6%	96.8%	96.6%	0.840	0.809	0.725	237.2	5.5	84.7	32128	0.7	2.2	247.2	11120
YX2-KK560-12	900	494	95.7%	95.9%	95.6%	0.797	0.752	0.647	113.6	5.0	49.0	17388	0.6	2.2	143.4	8740
YX2-KK560-12	1000	494	95.8%	96.1%	96.0%	0.814	0.776	0.681	123.5	4.5	48.8	19328	0.6	2.0	162.2	9140
YX2-KK560-12	1120	495	96.1%	96.2%	95.8%	0.787	0.734	0.622	142.5	5.0	65.9	21608	0.7	2.4	190.6	9740
YX2-KK560-12	1250	495	96.0%	96.0%	95.5%	0.743	0.675	0.550	168.7	5.5	90.7	24097	0.8	2.6	200.0	9940
YX2-KK560-12	1400	495	96.2%	96.3%	95.9%	0.778	0.722	0.606	180.1	5.5	86.1	26999	0.7	2.4	228.3	10540
YX2-KK560-12	1600	495	96.2%	96.3%	96.0%	0.772	0.715	0.599	207.4	5.0	100.2	30862	0.7	2.4	247.2	10900
YX2-KK560-14	710	423	94.7%	95.4%	95.4%	0.770	0.741	0.651	93.7	3.5	36.9	16049	0.4	1.6	152.8	8880
YX2-KK560-14	800	423	95.2%	95.7%	95.5%	0.763	0.725	0.626	105.9	4.0	45.3	18053	0.4	1.6	181.1	9480
YX2-KK560-14	900	423	95.3%	95.8%	95.6%	0.763	0.725	0.625	119.1	4.0	50.9	20305	0.4	1.6	200.0	9880
YX2-KK560-14	1000	423	95.5%	95.9%	95.8%	0.766	0.729	0.630	131.5	4.0	55.8	22556	0.4	1.6	228.3	10480
YX2-KK560-14	1120	424	95.7%	96.0%	95.7%	0.749	0.702	0.593	150.3	4.0	70.0	25238	0.4	1.8	247.2	10890
YX2-KK560-16	560	370	94.0%	94.3%	93.7%	0.675	0.614	0.495	85.0	3.5	47.4	14442	0.4	1.6	143.4	8660
YX2-KK560-16	630	370	93.9%	94.2%	93.7%	0.674	0.614	0.497	95.7	3.5	52.9	16252	0.4	1.6	152.8	8860
YX2-KK560-16	710	371	94.4%	94.6%	94.0%	0.669	0.605	0.486	108.2	3.5	61.4	18296	0.4	1.8	181.1	9460
YX2-KK560-16	800	371	94.9%	95.1%	94.											

型号 Type	功率 Rated Power (kW)	转速 Speed (r/min)	效率 Efficiency (%)			功率因数 Power Factor (cosφ)			额定 电流 Current (A)	启动 电流 倍数 I _{st}	空载 电流 I ₀	额定 转矩 Rated Torque (N·m)	启动 转矩 倍数 T _{st} *	最大 转矩 倍数 T _m *	转子转 动惯量 Moment of Inertia (kg·m ²)	电机 总重 Weight (kg)
			100% Load	75% Load	50% Load	100% Load	75% Load	50% Load								
YX2-KK630-10	3150	596	97.1%	97.2%	96.8%	0.820	0.778	0.678	380.6	6.0	155.1	50449	0.8	2.4	496.4	15160
YX2-KK630-12	1800	495	96.4%	96.7%	96.6%	0.827	0.802	0.723	217.3	5.0	75.0	34714	0.6	1.8	315.8	12270
YX2-KK630-12	2000	496	96.6%	96.9%	96.8%	0.838	0.813	0.737	237.8	5.0	79.9	38540	0.7	2.0	398.1	13595
YX2-KK630-12	2240	496	96.7%	96.9%	96.8%	0.832	0.804	0.722	268.1	5.0	94.5	43153	0.7	2.0	431.1	14125
YX2-KK630-12	2500	496	96.8%	97.0%	96.7%	0.813	0.771	0.672	305.8	5.5	125.2	48105	0.8	2.2	496.9	15130
YX2-KK630-14	1250	425	95.7%	96.2%	96.1%	0.776	0.742	0.649	162.0	4.0	65.6	28101	0.4	1.6	299.4	11970
YX2-KK630-14	1400	426	96.2%	96.4%	96.1%	0.756	0.705	0.594	185.3	4.5	87.4	31414	0.5	2.0	381.7	13235
YX2-KK630-14	1600	426	96.4%	96.6%	96.3%	0.774	0.728	0.622	206.5	4.5	92.0	35894	0.4	2.0	464.0	14500
YX2-KK630-16	900	372	95.3%	95.6%	95.3%	0.732	0.682	0.572	124.1	4.0	60.0	23117	0.4	1.8	299.4	11940
YX2-KK630-16	1000	372	95.4%	95.6%	95.2%	0.718	0.663	0.548	140.5	4.0	71.6	25679	0.4	1.8	315.8	12190
YX2-KK630-16	1120	373	95.4%	95.4%	94.7%	0.677	0.606	0.481	166.9	4.5	98.9	28714	0.5	2.0	381.7	13190
YX2-KK630-16	1250	372	95.6%	95.9%	95.5%	0.735	0.682	0.568	171.0	4.0	84.5	32073	0.5	1.8	447.5	14160

6千伏空水冷 6kV Air-water cooling

型号 Type	功率 Rated Power (kW)	转速 Speed (r/min)	效率 Efficiency (%)			功率因数 Power Factor (cosφ)			额定 电流 Current (A)	启动 电流 倍数 I _{st}	空载 电流 I ₀	额定 转矩 Rated Torque (N·m)	启动 转矩 倍数 T _{st} *	最大 转矩 倍数 T _m *	转子转 动惯量 Moment of Inertia (kg·m ²)	电机 总重 Weight (kg)
			100% Load	75% Load	50% Load	100% Load	75% Load	50% Load								
YX2-KS355-2S	315	2963	92.4%	92.8%	92.2%	0.895	0.892	0.858	36.7	4.0	7.9	1015	0.3	1.8	2.5	2640
YX2-KS355-2S	355	2957	92.2%	92.9%	92.7%	0.890	0.896	0.872	41.6	4.0	7.9	1146	0.3	1.6	2.5	2640
YX2-KS355-2S	400	2957	92.6%	93.4%	93.3%	0.895	0.904	0.888	46.5	3.5	7.9	1292	0.3	1.6	2.9	2710
YX2-KS355-2S	450	2959	93.1%	93.8%	93.8%	0.899	0.909	0.894	51.8	4.0	8.4	1452	0.3	1.6	3.3	2780
YX2-KS355-2L	500	2967	93.7%	94.2%	94.1%	0.907	0.906	0.877	56.6	4.5	11.2	1609	0.4	2.0	3.7	2880
YX2-KS355-2L	560	2966	94.0%	94.6%	94.5%	0.909	0.912	0.889	63.1	4.5	11.3	1803	0.4	1.8	4.1	2980
YX2-KS355-2L	630	2971	94.6%	95.1%	94.9%	0.910	0.906	0.872	70.4	5.0	14.6	2025	0.4	2.0	4.5	3220
YX2-KS355-2L	710	2971	94.8%	95.3%	95.2%	0.911	0.908	0.876	79.1	5.0	16.0	2282	0.4	2.0	4.9	3340
YX2-KS355-4	280	1483	94.8%	95.1%	94.9%	0.884	0.859	0.788	32.2	6.0	10.0	1803	0.7	2.4	5.6	2550
YX2-KS355-4	300	1481	94.6%	95.1%	95.0%	0.887	0.867	0.803	34.4	5.5	10.0	1934	0.7	2.2	5.6	2620
YX2-KS355-4	315	1480	94.5%	95.1%	95.1%	0.889	0.872	0.813	36.1	5.5	10.0	2032	0.6	2.2	5.6	2650
YX2-KS355-4	355	1480	94.8%	95.4%	95.4%	0.894	0.879	0.825	40.3	5.5	10.6	2290	0.6	2.2	6.4	2690
YX2-KS355-4	400	1478	94.4%	95.2%	95.5%	0.894	0.887	0.845	45.6	4.5	10.6	2585	0.6	1.8	6.4	2760
YX2-KS355-4	450	1480	94.8%	95.5%	95.6%	0.880	0.860	0.796	51.9	5.5	15.2	2903	0.7	2.2	6.4	2830
YX2-KS355-4	500	1484	95.4%	95.9%	95.8%	0.880	0.854	0.779	57.3	6.0	18.2	3218	0.8	2.4	8.0	2900
YX2-KS355-4	560	1484	95.6%	96.1%	96.1%	0.886	0.863	0.795	63.7	6.0	19.1	3605	0.7	2.4	8.8	2970
YX2-KS355-4	630	1484	95.7%	95.7%	96.2%	0.887	0.866	0.800	71.4	6.0	20.9	4055	0.7	2.4	9.5	3030
YX2-KS355-6	280	989	94.7%	94.7%	94.9%	0.847	0.807	0.712	33.6	6.0	13.0	2703	0.9	2.6	9.3	2710
YX2-KS355-6	300	988	94.6%	94.6%	94.9%	0.854	0.819	0.731	35.8	5.5	13.0	2899	0.8	2.4	9.3	2805
YX2-KS355-6	315	988	94.6%	94.6%	95.0%	0.856	0.825	0.743	37.4	5.5	13.0	3046	0.8	2.2	9.3	2850
YX2-KS355-6	355	988	94.7%	94.7%	95.1%	0.855	0.821	0.735	42.2	5.5	15.1	3431	0.8	2.2	10.3	2900
YX2-KS355-6	400	989	95.1%	95.1%	95.3%	0.841	0.799	0.702	48.2	6.0	19.0	3862	0.9	2.4	11.3	2995
YX2-KS355-6	450	990	95.6%	95.6%	95.8%	0.838	0.795	0.697	54.1	6.0	21.6	4341	0.9	2.6	13.4	3100
YX2-KS355-6	500	990	95.7%	95.7%	95.9%	0.834	0.791	0.691	60.3	6.0	24.4	4824	0.9	2.6	14.4	3200
YX2-KS355-8	280	740	94.1%	94.1%	94.6%	0.809	0.768	0.668	35.4	5.0	14.6	3616	0.8	2.0	12.4	2980

型号 Type	功率 Rated Power (kW)	转速 Speed (r/min)	效率 Efficiency (%)			功率因数 Power Factor (cosφ)			额定 电流 Current (A)	启动 电流 倍数 I _{st}	空载 电流 I ₀	额定 转矩 Rated Torque (N·m)	启动 转矩 倍数 T _{st} *	最大 转矩 倍数 T _m *	转子转 动惯量 Moment of Inertia (kg·m ²)	电机 总重 Weight (kg)
			100% Load	75% Load	50% Load	100% Load	75% Load	50% Load								
YX2-KS355-8	315	739	94.3%	94.3%	94.8%	0.811	0.773	0.678	39.6	4.5	15.8	4070	0.7	2.0	13.4	3080
YX2-KS355-8	355	739	94.4%	94.4%	95.0%	0.810	0.774	0.679	44.7	4.5	17.7	4587	0.7	1.8	14.5	3170
YX2-KS400-2S	800	2979	95.1%	95.1%	95.3%	0.897	0.883	0.832	90.3	5.5	23.2	2565	0.4	2.2	6.2	3400
YX2-KS400-2S	900	2979	95.3%	95.3%	95.6%	0.902	0.891	0.846	100.7	5.5	24.1	2885	0.4	2.2	6.9	3650
YX2-KS400-2S	1000	2980	95.6%	95.6%	95.8%	0.894	0.878	0.824	112.6	5.5	30.0	3204	0.4	2.4	7.2	3700
YX2-KS400-2L	1120	2981	95.8%	95.8%	96.0%	0.909	0.900	0.859	123.9	5.5	28.0	3589	0.4	2.2	8.6	4080
YX2-KS400-2L	1250	2982	96.0%	96.0%	96.2%	0.903	0.889	0.839	138.7	6.0	34.9	4003	0.5	2.4	9.3	4230
YX2-KS400-4	710	1483	95.4%	95.4%	95.8%	0.888	0.873	0.817	80.7	5.0	21.7	4572	0.6	2.2	11.7	3310
YX2-KS400-4	800	1483	95.5%	95.5%	96.0%	0.892	0.881	0.832	90.4	5.0	22.6	5153	0.5	2.0	12.8	3415
YX2-KS400-4	900	1483	95.6%	95.6%	96.1%	0.894	0.884	0.837	101.4	5.0	24.8	5798	0.6	2.0	14.0	3520
YX2-KS400-4	1000	1483	95.9%	95.9%	96.3%	0.891	0.879	0.829	112.7	5.0	28.6	6439	0.6	2.0	15.1	3625
YX2-KS400-4	1120	1483	96.0%	96.0%	96.5%	0.899	0.892	0.850	124.8	5.0	28.7	7212	0.6	2.0	17.4	3730
YX2-KS400-4	1250	1485	96.2%	96.2%	96.6%	0.868	0.842	0.767	144.0	5.5	46.6	8038	0.7	2.4	17.4	3840
YX2-KS400-6	560	988	95.4%	95.4%	95.8%	0.816	0.779	0.684	69.2	5.0	27.3	5412	0.7	2.0	16.2	3345
YX2-KS400-6	630	988	95.6%	95.6%	96.0%	0.822	0.788	0.699	77.2	5.0	29.1	6090	0.7	2.0	17.7	3450
YX2-KS400-6	710	988	95.7%	95.7%	96.1%	0.821	0.788	0.699	87.1	5.0	32.6	6864	0.7	2.0	19.1	3555
YX2-KS400-6	800	987	95.8%	95.8%	96.3%	0.841	0.819	0.746	95.6	4.5	31.1	7738	0.6	1.8	22.0	3760
YX2-KS400-8	400	742	95.1%	95.1%	95.5%	0.827	0.789	0.694	48.9	5.0	19.1	5150	0.6	2.0	20.2	3310
YX2-KS400-8	450	740	94.8%	94.8%	95.5%	0.835	0.808	0.726	54.7	4.5	19.1	5804	0.6	1.8	20.2	3420
YX2-KS400-8	500	741	95.1%	95.1%	95.6%	0.826	0.794	0.706	61.2	4.5	22.7	6448	0.6	2.0	21.9	3530
YX2-KS400-8	560	741	95.2%	95.2%	95.7%	0.820	0.785	0.693	69.0	4.5	26.5	7220	0.6	2.0	23.6	3630
YX2-KS400-10	250	591	93.7%	93.7%	94.2%	0.736	0.685	0.573	34.9	4.0	17.0	4039	0.5	1.8	17.0	3200
YX2-KS400-10	280	591	94.0%	94.0%	94.4%	0.727	0.675	0.562	39.4	4.0	19.6	4522	0.5	1.8	18.6	3305
YX2-KS400-10	315	592	94.1%	94.1%	94.4%	0.714	0.656	0.539	45.1	4.0	23.6	5083	0.6	1.8	20.3	3410
YX2-KS400-10	355	591	93.9%	93.9%	94.3%	0.712	0.657	0.543	51.1	4.0	26.2	5735	0.5	1.6	22.0	3500
YX2-KS400-10	400	591	94.0%	94.0%	94.5%	0.719	0.671	0.561	57.0	3.5	27.7	6467	0.5	1.6	23.6	3600
YX2-KS400-12	200	491	92.8%	92.8%	93.8%	0.742	0.712	0.618	27.9	3.5	11.7	3894	0.5	1.4	20.3	3380
YX2-KS400-12	220	491	93.3%	93.3%	94.1%	0.734	0.698	0.599	30.9	3.5	13.6	4278	0.5	1.4	22.0	3490
YX2-KS400-12	250	492	93.4%	93.4%	94.0%	0.722	0.680	0.574	35.7	3.5	16.7	4858	0.5	1.4	23.7	3600
YX2-KS450-2S	1400	2977	95.8%	95.8%	96.1%	0.897	0.890	0.850	156.8	4.5	35.9	4491	0.3	2.0	11.1	4830
YX2-KS450-2L	1600	2978	96.1%	96.1%	96.4%	0.899	0.891	0.85								

型号 Type	功率 Rated Power (kW)	转速 Speed (r/min)	效率 Efficiency (%)			功率因数 Power Factor (cosφ)			额定 电流 Current (A)	启动 电流 倍数 I _{st}	空载 电流 I ₀	额定 转矩 Rated Torque (N·m)	启动 转矩 倍数 T _{st} *	最大 转矩 倍数 T _m *	转子转动 惯量 Moment of Inertia (kg·m ²)	电机 总重 Weight (kg)
			100% Load	75% Load	50% Load	100% Load	75% Load	50% Load								
YX2-KS450-8	800	741	95.5%	95.9%	95.9%	0.823	0.790	0.702	98.0	5.0	36.6	10313	0.7	2.0	40.6	4810
YX2-KS450-8	900	741	95.7%	96.1%	96.1%	0.834	0.805	0.723	108.6	5.0	38.3	11601	0.7	2.0	46.7	5070
YX2-KS450-8	1000	742	95.9%	96.3%	96.2%	0.827	0.793	0.704	121.3	5.0	45.4	12879	0.7	2.0	52.9	5330
YX2-KS450-10	450	592	94.8%	95.3%	95.3%	0.803	0.766	0.672	56.9	4.5	22.7	7262	0.6	1.8	37.6	4660
YX2-KS450-10	500	592	95.0%	95.4%	95.2%	0.794	0.752	0.652	63.8	4.5	26.8	8063	0.7	2.0	40.7	4790
YX2-KS450-10	560	593	95.1%	95.4%	95.1%	0.771	0.720	0.609	73.5	4.5	34.2	9023	0.7	2.0	43.8	4920
YX2-KS450-10	630	592	95.0%	95.5%	95.5%	0.806	0.773	0.683	79.2	4.5	30.5	10165	0.6	1.8	50.0	5050
YX2-KS450-10	710	592	95.1%	95.6%	95.5%	0.781	0.740	0.638	92.0	4.5	39.3	11454	0.6	1.8	50.0	5170
YX2-KS450-12	280	492	93.8%	94.3%	94.1%	0.774	0.721	0.608	37.1	5.0	17.5	5434	0.9	2.0	34.6	4500
YX2-KS450-12	315	492	94.0%	94.5%	94.4%	0.779	0.730	0.621	41.4	4.5	18.8	6117	0.9	2.0	37.7	4610
YX2-KS450-12	355	492	94.1%	94.7%	94.6%	0.780	0.733	0.626	46.6	4.5	20.8	6895	0.9	1.8	40.8	4740
YX2-KS450-12	400	492	94.2%	94.8%	94.7%	0.777	0.730	0.621	52.6	4.5	23.7	7767	0.9	2.0	43.9	4870
YX2-KS450-12	450	492	94.4%	94.9%	94.7%	0.763	0.711	0.599	60.1	4.5	28.4	8733	0.9	2.0	47.0	5000
YX2-KS450-12	500	493	94.5%	94.8%	94.4%	0.735	0.673	0.551	69.3	5.0	36.4	9691	1.0	2.0	50.1	5120
YX2-KS500-2S	2240	2984	96.5%	96.7%	96.4%	0.908	0.899	0.860	246.0	5.0	55.3	7169	0.3	2.2	23.4	6700
YX2-KS500-2L	2500	2984	96.6%	96.8%	96.6%	0.908	0.899	0.858	274.2	5.0	62.0	8000	0.3	2.2	25.3	6900
YX2-KS500-2L	2800	2984	96.8%	97.0%	96.8%	0.913	0.908	0.874	304.9	5.0	63.0	8960	0.3	2.2	28.9	7300
YX2-KS500-2L	3000	2986	97.0%	97.1%	96.9%	0.914	0.907	0.870	325.6	5.5	69.9	9596	0.3	2.4	32.1	7750
YX2-KS500-2L	3150	2985	96.9%	97.2%	97.0%	0.914	0.909	0.876	342.0	5.0	69.9	10078	0.3	2.2	32.1	7750
YX2-KS500-4	2240	1489	96.6%	96.9%	96.8%	0.904	0.896	0.857	246.9	5.5	55.2	14364	0.5	2.2	50.7	6350
YX2-KS500-4	2500	1489	96.8%	97.1%	97.1%	0.909	0.905	0.872	273.4	5.5	56.0	16031	0.5	2.0	57.3	6710
YX2-KS500-4	2800	1490	97.0%	97.2%	97.2%	0.902	0.893	0.850	308.0	5.5	71.7	17948	0.5	2.2	60.7	6890
YX2-KS500-4	3150	1490	97.1%	97.3%	97.3%	0.894	0.881	0.831	349.4	5.5	88.4	20188	0.5	2.2	64.0	7080
YX2-KS500-6	1600	991	96.6%	96.9%	96.8%	0.865	0.842	0.771	184.4	5.5	57.7	15413	0.6	2.2	65.3	6050
YX2-KS500-6	1800	991	96.6%	97.0%	97.0%	0.875	0.859	0.799	204.9	5.5	57.7	17341	0.6	2.0	75.5	6420
YX2-KS500-6	2000	991	96.6%	97.0%	97.2%	0.886	0.878	0.833	225.0	5.0	54.5	19277	0.6	2.0	85.8	6790
YX2-KS500-6	2240	992	96.9%	97.2%	97.1%	0.858	0.831	0.754	259.3	6.0	86.0	21560	0.7	2.2	90.9	6980
YX2-KS500-8	1120	743	96.1%	96.5%	96.4%	0.832	0.811	0.739	134.8	4.5	44.2	14398	0.5	1.8	72.3	5880
YX2-KS500-8	1250	744	96.3%	96.6%	96.5%	0.829	0.802	0.721	150.8	5.0	52.8	16056	0.6	1.8	82.5	6200
YX2-KS500-8	1400	744	96.6%	96.8%	96.6%	0.827	0.796	0.710	168.6	5.0	61.8	17968	0.6	2.0	97.7	6680
YX2-KS500-8	1600	744	96.6%	96.8%	96.6%	0.807	0.770	0.674	197.4	5.0	79.0	20532	0.7	2.0	102.8	6850
YX2-KS500-10	800	592	95.4%	96.1%	96.3%	0.847	0.836	0.776	95.2	4.0	27.4	12910	0.5	1.6	72.6	5860
YX2-KS500-10	900	592	95.7%	96.3%	96.5%	0.848	0.835	0.774	106.6	4.5	31.1	14514	0.5	1.8	82.8	6180
YX2-KS500-10	1000	593	95.9%	96.4%	96.4%	0.841	0.818	0.742	119.3	4.5	39.5	16102	0.6	1.8	93.0	6500
YX2-KS500-10	1120	593	95.9%	96.4%	96.4%	0.833	0.806	0.726	134.8	5.0	46.8	18031	0.6	2.0	98.1	6660
YX2-KS500-10	1250	594	96.0%	96.4%	96.4%	0.818	0.785	0.694	153.1	5.0	58.1	20114	0.6	2.0	103.2	6810
YX2-KS500-12	560	493	95.1%	95.6%	95.6%	0.802	0.769	0.677	70.6	4.5	27.4	10848	0.6	1.8	67.5	5720
YX2-KS500-12	630	493	95.2%	95.7%	95.6%	0.792	0.754	0.656	80.4	4.5	33.0	12196	0.7	1.8	72.6	5870
YX2-KS500-12	710	493	95.3%	95.8%	95.8%	0.799	0.763	0.668	89.7	4.5	35.8	13742	0.7	1.8	82.9	6170
YX2-KS500-12	800	494	95.6%	96.0%	95.9%	0.790	0.750	0.649	101.9	4.5	42.7	15475	0.7	1.8	93.1	6470
YX2-KS500-12	900	494	95.5%	95.8%	95.5%	0.760	0.706	0.591	119.2	5.0	57.7	17388	0.8	2.0	103.4	6800
YX2-KS560-2L	3550	2982	97.0%	97.0%	96.7%	0.911	0.906	0.872	386.5	5.0	80.8	11370	0.3	2.2	42.3	9600
YX2-KS560-2L	3700	2984	97.0%	97.1%	96.7%	0.921	0.914	0.880	398.5	5.5	81.8	11842	0.3	2.4	45.3	9800
YX2-KS560-2L	4000	2983	97.1%	97.2%	96.9%	0.919	0.914	0.883	431.0	5.5	85.7	12807	0.3	2.4	49.8	10200

型号 Type	功率 Rated Power (kW)	转速 Speed (r/min)	效率 Efficiency (%)			功率因数 Power Factor (cosφ)			额定 电流 Current (A)	启动 电流 倍数 I _{st}	空载 电流 I ₀	额定 转矩 Rated Torque (N·m)	启动 转矩 倍数 T _{st} *	最大 转矩 倍数 T _m *	转子转动 惯量 Moment of Inertia (kg·m ²)	电机 总重 Weight (kg)
			100% Load	75% Load	50% Load	100% Load	75% Load	50% Load								
YX2-KS560-2L	4500	2984	97.2%	97.3%	97.1%	0.929	0.926	0.900	479.6	5.5	86.1	14403	0.3	2.4	55.4	10600
YX2-KS560-2L	5000	2983	97.3%	97.5%	97.3%	0.931	0.931	0.910	531.3	5.5	86.8	16008	0.3	2.2	57.9	10800
YX2-KS560-2L	5450	2984	97.5%	97.6%	97.4%	0.924	0.919	0.888	582.2	5.5	113.3	17440	0.3	2.4	60.4	11000
YX2-KS560-4	3550	1491	97.0%	97.2%	97.0%	0.882	0.862	0.797	399.0	6.0	116.8	22735	0.5	2.4	93.8	9340
YX2-KS560-4	4000	1491	97.1%	97.4%	97.2%	0.895	0.881	0.828	442.9	5.5	114.3	25623	0.5	2.2	104.7	9780
YX2-KS560-4	4500	1491	97.2%	97.5%	97.4%	0.900	0.888	0.842	495.1	5.5	119.8	28829	0.5	2.2	115.7	10220
YX2-KS560-4	5000	1491	97.3%	97.6%	97.5%	0.899	0.888	0.841	549.6	5.5	134.2	32028	0.5	2.2	126.6	10660
YX2-KS560-4	5200	1492	97.5%	97.6%	97.4%	0.877	0.850	0.776	585.2	6.5	186.0	33281	0.6	2.6	132.0	10880
YX2-KS560-6	2500	993	96.8%	97.1%	97.1%	0.878	0.863	0.808	283.1	5.0	77.0	24055	0.5	2.0	121.0	8930
YX2-KS560-6	2800	993	97.0%	97.2%	97.2%	0.879	0.863	0.806	316.3	5.5	87.0	26934	0.5	2.0	135.9	9330
YX2-KS560-6	3150	993	97.1%	97.4%	97.3%	0.871	0.849	0.782	358.5	5.5	108.5	30285	0.5	2.2	150.8	9730
YX2-KS560-6	3350	994	97.2%	97.4%	97.1%	0.835	0.793	0.694	396.9	6.5	158.2	32173	0.7	2.6	165.8	10130
YX2-KS560-6	3550	995	97.4%	97.5%	97.3%	0.858	0.822	0.732	409.0	7.0	148.9	34083	0.7	2.6	195.7	10530
YX2-KS560-6	4000	994	97.3%	97.5%	97.4%	0.866	0.839	0.763	456.5	6.0	148.9	38431	0.6	2.4	195.7	10970
YX2-KS560-8	1800	745	96.8%	97.0%	96.8%	0.833	0.808	0.729	214.8	5.0	73.7	23086	0.5	2.0	136.4	8820
YX2-KS560-8	2000	745	96.9%	97.1%	97.0%	0.842	0.821	0.750	235.9	5.0	75.9	25651	0.5	1.8	153.3	9240
YX2-KS560-8	2240	745	97.0%	97.2%	97.1%	0.843	0.822	0.751	263.7	5.0	84.4	28726	0.5	1.8	170.1	9660
YX2-KS560-8	2500	745	97.1%	97.3%	97.2%	0.851	0.832	0.766	291.3	5.0	89.3	32056	0.5	1.8	195.4	10290
YX2-KS560-8	2800	745	97.1%	97.3%	97.1%	0.832	0.802	0.719	333.6	5.5	119.2	35883	0.5	2.0	212.2	10710
YX2-KS560-8	3150	745	97.1%	97.3%	97.1%	0.816	0.782	0.691	382.8	5.0	146.0	40368	0.5	2.6	221.0	10940
YX2-KS560-10	1400	592	95.9%	96.4%	96.5%	0.842	0.827	0.764	166.9	4.5	50.2	22569	0.5	1.8	143.4	8560
YX2-KS560-10	1600	594	96.2%	96.5%	96.4%	0.822	0.791	0.705	194.8	5.0	71.3	25746	0.6	2.0	162.2	8980
YX2-KS560-10	1800	593	96.3%	96.7%	96.7%	0.843	0.823	0.753	213.5	4.5	67.5	28978	0.6	1.8	190.6	9610
YX2-KS560-10	2000	593	96.4%	96.8%	96.8%	0.849	0.831	0.765	235.2	4.5	71.9	32193	0.6	1.8	218.9	10240
YX2-KS560-10	2240	594	96.5%	96.9%	96.9%	0.845	0.824	0.752	264.1	5.0	84.7	36032	0.6	2.0	247.2	10900
YX2-KS560-12	1000	494	95.6%	96.0%	95.9%	0.807	0.771	0.678	124							

型号 Type	功率 Rated Power (kW)	转速 Speed (r/min)	效率 Efficiency (%)			功率因数 Power Factor (cosφ)			额定 电流 Current (A)	启动 电流 倍数 I _{st}	空载 电流 I ₀	额定 转矩 Rated Torque (N·m)	启动 转矩 倍数 Tst*	最大 转矩 倍数 Tm*	转子转 动惯量 Moment of Inertia (kg/m ²)	电机 总重 Weight (kg)
			100% Load	75% Load	50% Load	100% Load	75% Load	50% Load								
YX2-KS630-2L	7100	2986	97.5%	97.5%	97.1%	0.917	0.904	0.858	763.9	6.0	180.3	22706	0.3	2.8	121.9	14200
YX2-KS630-4	5600	1491	97.3%	97.5%	97.3%	0.906	0.897	0.856	611.2	5.5	139.5	35861	0.5	2.2	175.3	12390
YX2-KS630-4	6300	1492	97.4%	97.6%	97.4%	0.905	0.895	0.851	687.4	6.0	161.0	40339	0.5	2.4	192.7	12910
YX2-KS630-4	7100	1492	97.5%	97.7%	97.6%	0.916	0.911	0.878	764.5	6.0	154.9	45461	0.5	2.2	227.4	13970
YX2-KS630-6	4500	994	97.3%	97.5%	97.4%	0.885	0.876	0.829	502.7	5.5	124.8	43247	0.5	2.0	255.1	12180
YX2-KS630-6	5000	994	97.4%	97.5%	97.4%	0.879	0.864	0.807	562.3	6.0	154.2	48033	0.6	2.2	278.1	12820
YX2-KS630-6	5600	995	97.5%	97.7%	97.5%	0.875	0.855	0.791	631.9	6.0	185.0	53776	0.6	2.2	312.6	13780
YX2-KS630-6	6300	994	97.6%	97.7%	97.6%	0.875	0.858	0.797	710.6	6.0	201.6	60510	0.6	2.2	335.6	14420
YX2-KS630-8	3550	746	97.3%	97.5%	97.2%	0.836	0.812	0.736	420.0	5.5	141.1	45434	0.5	2.0	342.9	13130
YX2-KS630-8	4000	746	97.4%	97.6%	97.5%	0.858	0.850	0.799	460.4	5.0	122.5	51213	0.4	1.8	399.6	14170
YX2-KS630-8	4500	746	97.5%	97.7%	97.6%	0.854	0.845	0.793	520.3	5.0	140.7	57623	0.4	1.8	428.0	14680
YX2-KS630-10	2500	594	96.7%	97.1%	97.1%	0.853	0.845	0.792	291.6	4.5	79.3	40167	0.5	1.6	332.0	12000
YX2-KS630-10	2800	595	96.8%	97.2%	97.2%	0.856	0.846	0.791	325.0	4.5	89.4	44964	0.5	1.8	381.3	12750
YX2-KS630-10	3000	595	97.0%	97.2%	97.1%	0.847	0.824	0.751	351.5	5.5	113.9	48119	0.6	2.0	430.7	13500
YX2-KS630-10	3150	595	96.9%	97.2%	97.2%	0.848	0.830	0.763	368.7	5.0	113.9	50540	0.6	1.8	431.0	13500
YX2-KS630-10	3350	595	96.9%	97.2%	97.2%	0.850	0.831	0.764	391.4	5.0	120.4	53742	0.6	1.8	463.5	14000
YX2-KS630-10	3550	596	97.1%	97.3%	97.1%	0.830	0.798	0.712	423.7	5.5	155.1	56902	0.7	2.0	496.4	14490
YX2-KS630-12	2000	495	96.2%	96.7%	96.8%	0.830	0.814	0.748	241.1	4.5	75.0	38623	0.6	1.6	315.8	11710
YX2-KS630-12	2240	495	96.5%	96.9%	97.0%	0.840	0.826	0.763	265.9	4.5	79.9	43222	0.6	1.8	398.1	12960
YX2-KS630-12	2500	495	96.5%	97.0%	97.0%	0.835	0.817	0.748	298.3	4.5	94.5	48221	0.6	1.8	431.1	13460
YX2-KS630-12	2800	496	96.7%	97.0%	96.9%	0.822	0.790	0.703	338.9	5.0	125.2	53934	0.7	2.0	496.9	14460
YX2-KS630-14	1400	425	95.9%	96.4%	96.3%	0.773	0.739	0.643	181.6	4.0	74.5	31459	0.4	1.6	338.6	11870
YX2-KS630-14	1600	425	96.1%	96.5%	96.3%	0.769	0.732	0.634	208.4	4.0	87.4	35944	0.4	1.6	381.7	12650
YX2-KS630-14	1800	425	96.1%	96.5%	96.3%	0.770	0.730	0.629	234.0	4.0	100.7	40419	0.4	1.8	447.5	13690
YX2-KS630-14	2000	426	96.3%	96.4%	95.9%	0.719	0.657	0.536	278.0	4.5	148.1	44857	0.5	2.0	496.9	14430
YX2-KS630-16	1000	372	95.4%	95.7%	95.3%	0.721	0.668	0.554	139.8	4.0	70.3	25679	0.4	1.8	319.0	11560
YX2-KS630-16	1120	372	95.6%	95.9%	95.6%	0.733	0.684	0.575	153.8	4.0	73.8	28760	0.4	1.6	365.2	12310
YX2-KS630-16	1250	372	95.7%	96.0%	95.7%	0.736	0.688	0.578	170.6	4.0	81.3	32090	0.4	1.8	414.6	13060
YX2-KS630-16	1400	372	95.8%	95.9%	95.5%	0.717	0.656	0.536	196.1	4.5	104.1	35902	0.5	2.0	506.3	13600
YX2-KS630-16	1600	373	95.7%	95.8%	95.2%	0.682	0.614	0.491	235.8	4.5	135.7	41020	0.5	2.0	506.3	14330

10千伏空空冷 10kV Air-air cooling

型号 Type	功率 Rated Power (kW)	转速 Speed (r/min)	效率 Efficiency (%)			功率因数 Power Factor (cosφ)			额定 电流 Current (A)	启动 电流 倍数 I _{st}	空载 电流 I ₀	额定 转矩 Rated Torque (N·m)	启动 转矩 倍数 Tst*	最大 转矩 倍数 Tm*	转子转 动惯量 Moment of Inertia (kg/m ²)	电机 总重 Weight (kg)
			100% Load	75% Load	50% Load	100% Load	75% Load	50% Load								
YX2-KK400-2S	500	2983	93.2%	92.9%	91.6%	0.913	0.898	0.850	34.0	6.0	8.5	1601	0.5	2.6	6.9	3480
YX2-KK400-2S	560	2984	93.9%	93.6%	92.3%	0.907	0.889	0.835	38.0	6.5	10.2	1792	0.5	2.8	7.2	3580
YX2-KK400-2L	630	2985	94.2%	94.0%	92.8%	0.906	0.887	0.831	42.6	6.5	11.6	2016	0.5	2.8	7.9	3780
YX2-KK400-2L	710	2983	94.3%	94.2%	93.3%	0.910	0.897	0.851	47.8	6.0	11.6	2273	0.4	2.4	7.9	3780
YX2-KK400-2L	800	2984	94.8%	94.7%	93.8%	0.905	0.888	0.835	53.8	6.0	14.1	2560	0.5	2.6	8.6	3930
YX2-KK400-4	500	1484	94.3%	94.5%	93.8%	0.884	0.865	0.805	34.7	5.5	9.9	3218	0.6	2.2	9.7	3210
YX2-KK400-2S	500	2983	93.2%	92.9%	91.6%	0.913	0.898	0.850	34.0	6.0	8.5	1601	0.5	2.6	6.9	3480
YX2-KK400-2S	560	2984	93.9%	93.6%	92.3%	0.907	0.889	0.835	38.0	6.5	10.2	1792	0.5	2.8	7.2	3580
YX2-KK400-2L	630	2985	94.2%	94.0%	92.8%	0.906	0.887	0.831	42.6	6.5	11.6	2016	0.5	2.8	7.9	3780
YX2-KK400-2L	710	2983	94.3%	94.2%	93.3%	0.910	0.897	0.851	47.8	6.0	11.6	2273	0.4	2.4	7.9	3780
YX2-KK400-2L	800	2984	94.8%	94.7%	93.8%	0.905	0.888	0.835	53.8	6.0	14.1	2560	0.5	2.6	8.6	3930
YX2-KK400-4	500	1484	94.3%	94.5%	93.8%	0.884	0.865	0.805	34.7	5.5	9.9	3218	0.6	2.2	9.7	3210
YX2-KK400-4	560	1484	94.5%	94.8%	94.3%	0.887	0.871	0.814	38.6	5.0	10.6	3604	0.6	2.2	10.6	3315
YX2-KK400-4	630	1484	94.8%	95.0%	94.6%	0.887	0.870	0.813	43.3	5.5	12.0	4054	0.6	2.2	11.6	3420
YX2-KK400-4	710	1485	95.1%	95.4%	95.0%	0.882	0.862	0.799	48.9	5.5	14.2	4567	0.6	2.2	12.5	3525
YX2-KK400-4	800	1486	95.4%	95.6%	95.2%	0.871	0.844	0.769	55.6	6.0	18.1	5143	0.7	2.4	13.5	3630
YX2-KK400-6	355	991	94.3%	94.3%	93.5%	0.816	0.761	0.647	26.7	6.5	12.2	3422	0.9	2.8	14.8	3110
YX2-KK400-6	400	990	94.5%	94.6%	94.0%	0.823	0.772	0.662	29.7	6.5	13.1	3857	0.9	2.8	16.2	3210
YX2-KK400-6	450	991	94.8%	94.9%	94.3%	0.822	0.769	0.659	33.4	6.5	14.8	4338	0.9	2.8	17.7	3310
YX2-KK400-6	500	991	95.2%	95.3%	94.8%	0.841	0.796	0.696	36.1	6.5	14.7	4821	0.9	2.6	20.6	3510
YX2-KK400-6	560	991	95.4%	95.4%	94.8%	0.818	0.765	0.652	41.4	6.5	18.7	5395	1.0	2.8	22.0	3600
YX2-KK450-2S	900	2986	95.2%	95.0%	94.1%	0.891	0.864	0.791	61.3	6.5	19.3	2878	0.5	3.0	11.1	4530
YX2-KK450-2S	1000	2986	95.4%	95.3%	94.5%	0.900	0.877	0.813	67.3	6.5	19.6	3199	0.4	2.8	12.2	4650
YX2-KK450-2L	1120	2986	95.6%	95.6%	94.9%	0.897	0.874	0.809	75.4	6.5	22.1	3582	0.4	2.8	12.7	4780
YX2-KK450-2L	1250	2986	95.8%	95.8%	95.2%	0.900	0.880	0.819	83.7	6.5	23.5	3998	0.4	2.8	13.8	4900
YX2-KK450-4	900	1488	95.2%	95.1%	94.2%	0.832	0.788	0.689	65.6	6.0	26.8	5775	0.6	2.6	19.8	4460
YX2-KK450-4	1000	1488	95.5%	95.4%	94.7%	0.844	0.806	0.715	71.7	5.5	27.2	6418	0.5	2.4	21.4	4600
YX2-KK450-4	1120	1488	95.7%	95.7%	95.0%	0.849	0.816	0.730	79.6	5.5	28.8	7190	0.5	2.4	23.0	4740
YX2-KK450-4	1250	1488	95.8%	95.9%	95.3%	0.850	0.817	0.733	88.6	5.5	31.6	8025	0.5	2.4	24.6	4880
YX2-KK450-4	1400	1488	96.0%	96.1%	95.6%	0.845	0.811	0.725	99.7	5.5	36.3	8988	0.5	2.4	26.3	5030
YX2-KK450-6	630	991	95.3%	95.4%	94.9%	0.844	0.805	0.713	45.2	6.0	17.3	6071	0.8	2.4	26.6	4530
YX2-KK450-6	710	991	95.5%	95.6%	95.0%	0.830	0.788	0.689	51.7	6.0	20.9	6842	0.8	2.4	26.6	4580
YX2-KK450-6	800	991	95.6%	95.8%	95.4%	0.838	0.801	0.710	57.6	5.5	21.9	7713	0.7	2.4	28.6	4630
YX2-KK450-6	900	991	95.6%	95.8%	95.3%	0.815	0.769	0.666	66.7	5.5	28.2	8676	0.8	2.4	28.6	4680
YX2-KK450-8	400	741	94.5%	94.8%	94.3%	0.843	0.814	0.731	29.0	5.0	10.3	5152	0.7	2.0	34.4	4220
YX2-KK450-8	450	742	94.7%	95.0%	94.6%	0.843	0.813	0.731	32.5	5.0	11.5	5796	0.7	2.0	37.5	4350
YX2-KK450-8	500	742	94.9%	95.1%	94.6%	0.836	0.801	0.712	36.4	5.0	13.6	6436	0.7	2.2	40.6	4480
YX2-KK450-8	560	742	95.1%	95.3%	94.9%	0.845	0.813	0.728	40.3	5.0	14.5	7207	0.7	2.2	46.7	4740
YX2-KK450-8	630	743	95.3%	95.4%	94.8%	0.817	0.771	0.668	46.7	5.5	19.8	8099	0.8	2.4	49.8	4850
YX2-KK500-2S	1400	2986	95.4%	95.2%	94.3%	0.898	0.878	0.819	94.							

型号 Type	功率 Rated Power (KW)	转速 Speed (r/min)	效率 Efficiency (%)			功率因数 Power Factor (cosφ)			额定 电流 Current (A)	启动 电流 倍数 I_{st}	空载 电流 I_0	额定 转矩 Rated Torque (N·m)	启动 转矩 倍数 Tst*	最大 转矩 倍数 Tm*	转子转动惯量 Moment of Inertia (kg/m ²)	电机 总重 Weight (kg)
			100% Load	75% Load	50% Load	100% Load	75% Load	50% Load								
YX2-KK500-2L	2000	2986	96.2%	96.2%	95.6%	0.915	0.904	0.861	131.1	6.0	30.2	6396	0.3	2.6	27.4	7000
YX2-KK500-2L	2100	2989	96.4%	96.3%	95.5%	0.895	0.869	0.798	140.5	7.0	43.3	6710	0.4	3.0	27.4	7000
YX2-KK500-4	1600	1490	95.9%	96.0%	95.5%	0.905	0.894	0.849	106.4	5.5	25.5	10253	0.5	2.4	47.3	5960
YX2-KK500-4	1800	1490	96.1%	96.3%	95.8%	0.912	0.903	0.863	118.6	6.0	26.5	11534	0.5	2.4	54.0	6350
YX2-KK500-4	2000	1491	96.4%	96.4%	96.0%	0.903	0.886	0.833	132.7	6.5	34.8	12808	0.6	2.6	57.3	6540
YX2-KK500-6	1000	992	95.8%	96.0%	95.7%	0.887	0.869	0.810	67.9	5.5	19.1	9623	0.6	2.2	61.0	5740
YX2-KK500-6	1120	993	96.0%	96.1%	95.7%	0.868	0.838	0.759	77.6	6.0	26.1	10771	0.7	2.4	61.0	5850
YX2-KK500-6	1250	993	96.2%	96.3%	96.0%	0.877	0.852	0.780	85.5	6.0	27.0	12021	0.7	2.4	69.6	5960
YX2-KK500-6	1400	994	96.3%	96.3%	95.8%	0.830	0.783	0.678	101.1	6.5	42.6	13453	0.8	2.8	69.6	6080
YX2-KK500-8	710	745	95.6%	95.8%	95.3%	0.844	0.810	0.722	50.8	5.5	18.7	9105	0.7	2.2	72.3	5730
YX2-KK500-8	800	745	95.8%	95.9%	95.5%	0.845	0.813	0.729	57.1	5.5	20.4	10261	0.7	2.2	77.4	5890
YX2-KK500-8	900	744	95.8%	96.0%	95.6%	0.844	0.812	0.727	64.3	5.5	23.1	11545	0.7	2.2	82.5	6050
YX2-KK500-8	1000	745	95.9%	96.1%	95.7%	0.834	0.799	0.709	72.1	5.5	27.2	12826	0.7	2.2	87.6	6210
YX2-KK500-8	1120	745	96.1%	96.2%	95.8%	0.819	0.778	0.680	82.1	5.5	33.2	14362	0.7	2.2	92.7	6380
YX2-KK500-10	560	595	94.9%	94.9%	94.2%	0.768	0.701	0.575	44.4	6.0	23.4	8986	0.9	2.8	67.4	5630
YX2-KK500-10	630	595	95.1%	95.1%	94.4%	0.770	0.705	0.581	49.7	6.0	25.8	10111	0.9	2.6	72.6	5790
YX2-KK500-10	710	595	95.3%	95.5%	95.0%	0.803	0.749	0.635	53.6	6.0	24.6	11399	0.8	2.6	82.8	5950
YX2-KK500-10	730	595	95.3%	95.5%	95.1%	0.807	0.755	0.644	54.8	6.0	24.6	11724	0.8	2.4	82.8	6110
YX2-KK500-12	400	496	94.6%	94.3%	93.2%	0.690	0.612	0.483	35.4	5.5	21.7	7704	0.8	2.6	61.8	5800
YX2-KK500-12	450	495	94.5%	94.5%	93.6%	0.715	0.646	0.521	38.4	5.0	21.7	8677	0.7	2.2	61.8	5900
YX2-KK500-12	500	495	94.5%	94.6%	93.8%	0.722	0.655	0.531	42.3	5.0	23.3	9644	0.7	2.2	66.2	6000
YX2-KK500-12	560	495	94.7%	94.7%	94.0%	0.721	0.656	0.533	47.4	4.5	25.9	10804	0.7	2.2	70.5	6100
YX2-KK560-2L	2240	2987	96.4%	96.0%	95.0%	0.890	0.860	0.800	150.0	6.5	45.8	7160	0.4	2.8	40.3	10200
YX2-KK560-2L	2500	2986	96.5%	96.2%	95.4%	0.900	0.881	0.823	166.3	6.0	45.8	7996	0.4	2.8	40.3	10400
YX2-KK560-2L	2800	2986	96.7%	96.5%	95.7%	0.904	0.885	0.830	185.0	6.0	49.7	8955	0.4	2.8	45.3	10600
YX2-KK560-2L	3150	2986	96.9%	96.7%	96.1%	0.911	0.897	0.849	206.2	6.0	50.4	10076	0.4	2.6	50.3	11100
YX2-KK560-2L	3550	2987	97.1%	96.9%	96.3%	0.918	0.904	0.859	230.2	6.5	54.4	11352	0.4	2.8	57.9	11300
YX2-KK560-2L	4000	2986	97.1%	97.1%	96.5%	0.907	0.890	0.837	262.2	6.0	68.0	12792	0.4	2.8	57.9	11500
YX2-KK560-4	2240	1489	95.9%	95.8%	95.1%	0.891	0.882	0.839	151.4	5.0	36.5	14362	0.4	2.0	77.5	8770
YX2-KK560-4	2500	1490	96.1%	96.1%	95.4%	0.879	0.862	0.803	170.7	5.5	48.3	16020	0.5	2.2	82.9	8975
YX2-KK560-4	2800	1492	96.4%	96.3%	95.5%	0.868	0.837	0.758	193.3	6.5	65.5	17922	0.6	2.6	99.3	9590
YX2-KK560-4	3150	1492	96.6%	96.5%	95.9%	0.880	0.857	0.789	213.8	6.0	65.3	20166	0.6	2.6	110.2	10000
YX2-KK560-4	3550	1492	96.7%	96.7%	96.2%	0.886	0.865	0.802	239.2	6.0	69.6	22729	0.6	2.4	121.1	10410
YX2-KK560-4	3700	1492	96.9%	96.8%	96.2%	0.862	0.827	0.741	255.9	6.5	91.4	23674	0.7	2.8	126.6	10620
YX2-KK560-6	1600	993	96.1%	96.1%	95.6%	0.874	0.849	0.778	109.9	6.0	34.7	15382	0.6	2.4	106.0	8460
YX2-KK560-6	1800	993	96.3%	96.4%	95.9%	0.881	0.857	0.789	122.5	6.0	37.3	17302	0.6	2.4	121.0	8870
YX2-KK560-6	2000	994	96.5%	96.5%	95.9%	0.851	0.813	0.720	140.5	6.5	53.2	19211	0.7	2.8	128.4	9075
YX2-KK560-6	2240	993	96.5%	96.6%	96.3%	0.880	0.859	0.794	152.3	6.0	45.0	21538	0.6	2.4	135.9	9280
YX2-KK560-6	2500	994	96.7%	96.8%	96.5%	0.891	0.873	0.815	167.6	6.0	46.3	24030	0.6	2.4	165.8	10100
YX2-KK560-6	2800	994	96.8%	96.9%	96.6%	0.881	0.859	0.791	189.6	6.0	57.1	26910	0.6	2.4	173.2	10330
YX2-KK560-8	1250	745	96.1%	96.2%	95.7%	0.840	0.810	0.727	89.4	5.5	31.8	16028	0.6	2.2	119.6	8400
YX2-KK560-8	1400	745	96.3%	96.4%	95.9%	0.831	0.797	0.709	101.1	5.5	37.6	17949	0.6	2.2	128.0	8610
YX2-KK560-8	1600	745	96.4%	96.6%	96.2%	0.840	0.812	0.731	114.0	5.5	39.8	20515	0.6	2.0	144.8	9030
YX2-KK560-8	1800	745	96.6%	96.7%	96.3%	0.839	0.808	0.725	128.3	5.5	45.7	23074	0.6	2.2	161.7	9450

型号 Type	功率 Rated Power (KW)	转速 Speed (r/min)	效率 Efficiency (%)			功率因数 Power Factor (cosφ)			额定 电流 Current (A)	启动 电流 倍数 I_{st}	空载 电流 I_0	额定 转矩 Rated Torque (N·m)	启动 转矩 倍数 Tst*	最大 转矩 倍数 Tm*	转子转动惯量 Moment of Inertia (kg/m ²)	电机 总重 Weight (kg)
			100% Load	75% Load	50% Load	100% Load	75% Load	50% Load								
YX2-KK560-8	2000	745	96.8%	96.9%	96.6%	0.856	0.833	0.761	139.4	5.5	44.7	25635	0.6	2.2	195.4	10290
YX2-KK560-8	2240	746	96.8%	96.8%	96.4%	0.828	0.789	0.693	161.3	6.0	63.6	28688	0.7	2.4	212.2	10690
YX2-KK560-10	800	595	95.7%	95.8%	95.2%	0.835	0.792	0.693	57.8	6.0	23.3	12844	0.8	2.6	133.9	8460
YX2-KK560-10	900	594	95.6%	95.8%	95.5%	0.846	0.812	0.726	64.3	5.5	23.3	14467	0.7	2.2	133.9	8660
YX2-KK560-10	1000	594	95.7%	95.9%	95.6%	0.838	0.801	0.709	72.0	5.5	27.4	16070	0.8	2.4	143.4	8860
YX2-KK560-10	1120	595	95.8%	96.0%	95.6%	0.824	0.780	0.679	81.9	6.0	33.8	17990	0.8	2.4	152.8	9060
YX2-KK560-10	1250	595	96.0%	96.1%	95.7%	0.822	0.777	0.674	91.5	6.0	38.2	20072	0.8	2.4	171.7	9460
YX2-KK560-10	1400	595	96.2%	96.3%	95.9%	0.829	0.785	0.684	101.4	6.0	41.5	22474	0.9	2.6	200.0	10060
YX2-KK560-10	1600	595	96.2%	96.2%	95.7%	0.792	0.734	0.616	121.2	6.5	58.2	25665	1.0	2.8	218.9	10230
YX2-KK560-12	630	494	94.7%	95.2%	95.2%	0.836	0.809	0.729	45.9	4.5	16.0	12189	0.5	1.8	133.9	8430
YX2-KK560-12	710	494	94.7%	95.2%	95.1%	0.825	0.791	0.700	52.5	4.5	19.9	13729	0.6	2.0	133.9	8630
YX2-KK560-12	800	494	94.9%	95.3%	95.2%	0.822	0.787	0.696	59.3	4.5	22.7	15470	0.6	2.0	143.4	8830
YX2-KK560-12	900	494	95.1%	95.6%	95.6%	0.830	0.802	0.719	65.8	4.5	23.4	17411	0.5	1.8	162.2	9230
YX2-KK560-12	1000	494	95.2%	95.7%	95.7%	0.832	0.804	0.722	72.9	4.5	25.7	19341	0.5	1.8	181.1	9630
YX2-KK560-12	1120	494	95.4%	95.8%	95.8%	0.828	0.796	0.709	81.9	4.5	30.1	21651	0.6	2.0	200.0	10030
YX2-KK560-12	1250	495	95.6%	96.0%	95.8%	0.811	0.770	0.670	93.0	5.0	38.2	24140	0.6	2.2	218.9	10200
YX2-KK630-2L	4500	2988	96.6%	96.3%	95.4%	0.905	0.882	0.818	297.2	7.0	86.0	14381	0.4	3.2	98.4	13900
YX2-KK630-2L	5000	2989	96.8%	96.5%	95.7%	0.910	0.888	0.828	327.8	7.0	91.5	15977	0.4	3.2	107.8	14400
YX2-KK630-2L	5600	2988	96.9%	96.8%	96.0%	0.920	0.903	0.852	362.7	7.0	90.8	17896	0.4	3.2	117.2	14800
YX2-KK630-2L	6300	2988	97.1%	96.9%	96.3%	0.909	0.888	0.828	412.2	7.0	113.7	20133	0.4	3.0	121.9	14900
YX2-KK630-4	4000	1492	96.7%	96.6%	96.0%	0.898	0.881	0.825	266.0	6.0	71.4	25607	0.5	2.6	157.9	12220
YX2-KK630-4	4500	1492	96.8%	96.8%	96.3%	0.903	0.888	0.836	297.1	6.0	76.4	28807	0.5	2.6	175.3	12740
YX2-KK630-4	5000	1492	97.0%	97.0%	96.5%	0.900	0.883	0.828	330.4	6.5	87.9	32001	0.5	2.6	192.7	13260
YX2-KK630-4	5600	1492	97.2%	97.2%	96.7%	0.904	0.888	0.834	367.9	6.5	96.1	35835	0.5	2.6	218.7	14040
YX2-KK630-6	3150	993	96.6%	96.7%	96.3%	0.884	0.870	0.816	212.9	5.5	56.9	30293	0.6	2.2	220.6	12260
YX2-KK630-6	3550	993	96.8%	96.9%	96.5%	0.888	0.877	0.828	238.7	5.5	60.2					

10千伏空水冷

10kV Air-water cooling

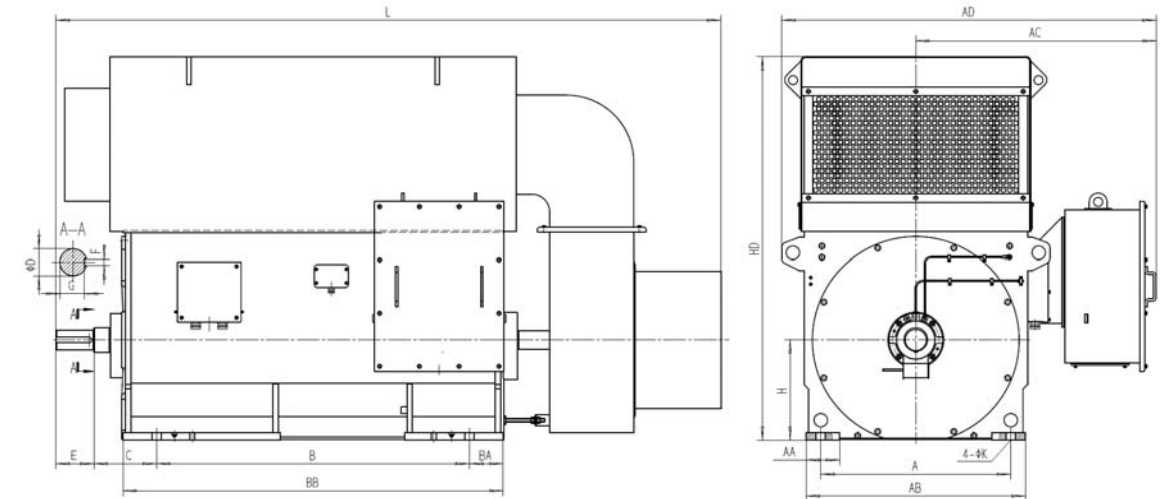
型号 Type	功率 Rated Power (kW)	转速 Speed (r/min)	效率 Efficiency (%)			功率因数 Power Factor (cosφ)			额定 电流 Current (A)	启动 电流 倍数 I _{st}	空载 电流 I ₀	额定 转矩 Rated Torque (N·m)	启动 转矩 倍数 T _{st} *	最大 转矩 倍数 T _m *	转子转动惯量 Moment of Inertia (kg/m ²)	电机 总重 Weight (kg)
			100% Load	75% Load	50% Load	100% Load	75% Load	50% Load								
YX2-KS400-2S	560	2981	94.0%	94.2%	93.5%	0.914	0.905	0.865	37.6	5.5	8.5	1793	0.4	2.4	6.9	3650
YX2-KS400-2S	630	2982	94.5%	94.6%	94.0%	0.910	0.898	0.852	42.3	5.5	10.2	2017	0.4	2.4	7.2	3700
YX2-KS400-2L	710	2983	94.8%	94.9%	94.3%	0.910	0.896	0.849	47.5	6.0	11.6	2273	0.4	2.4	7.9	3890
YX2-KS400-2L	800	2981	94.8%	95.1%	94.7%	0.911	0.904	0.867	53.5	5.5	11.6	2563	0.4	2.2	7.9	3890
YX2-KS400-2L	900	2982	95.2%	95.5%	95.1%	0.907	0.897	0.853	60.1	5.5	14.1	2882	0.4	2.2	8.6	4080
YX2-KS400-4	500	1481	94.5%	95.2%	95.3%	0.895	0.889	0.850	34.2	4.3	7.7	3225	0.5	2.0	9.7	3260
YX2-KS400-4	560	1482	94.8%	95.4%	95.5%	0.886	0.874	0.824	38.5	4.5	9.9	3609	0.6	2.0	9.7	3330
YX2-KS400-4	630	1481	94.9%	95.6%	95.7%	0.888	0.879	0.832	43.1	4.5	10.6	4061	0.6	2.0	10.6	3400
YX2-KS400-4	710	1482	95.1%	95.8%	95.9%	0.888	0.879	0.832	48.5	4.5	12.0	4576	0.6	2.0	11.6	3470
YX2-KS400-4	800	1482	95.4%	96.0%	96.1%	0.885	0.872	0.820	54.7	4.6	14.2	5154	0.6	2.1	12.5	3540
YX2-KS400-4	900	1484	95.7%	96.2%	96.2%	0.876	0.857	0.793	62.0	4.9	18.1	5793	0.6	2.2	13.5	3590
YX2-KS400-4	1000	1486	95.9%	96.1%	95.9%	0.814	0.765	0.658	74.0	5.5	32.1	6426	0.8	2.5	13.5	3640
YX2-KS400-6	400	989	94.5%	94.9%	94.6%	0.831	0.785	0.682	29.4	5.6	12.2	3861	0.9	2.5	14.8	3170
YX2-KS400-6	450	989	94.7%	95.1%	94.9%	0.837	0.795	0.695	32.8	5.6	13.1	4344	0.9	2.5	16.2	3270
YX2-KS400-6	500	989	95.0%	95.3%	95.1%	0.834	0.790	0.689	36.4	5.7	14.8	4826	0.9	2.5	17.7	3370
YX2-KS400-6	560	989	95.3%	95.7%	95.5%	0.851	0.816	0.726	39.9	5.6	14.7	5406	0.8	2.5	20.6	3570
YX2-KS400-6	630	990	95.5%	95.8%	95.5%	0.833	0.789	0.687	45.7	5.8	18.7	6077	0.9	2.6	22.0	3660
YX2-KS450-2S	1000	2984	95.4%	95.5%	94.9%	0.897	0.875	0.813	67.5	6.0	19.3	3200	0.4	2.6	11.1	4830
YX2-KS450-2S	1120	2984	95.5%	95.7%	95.2%	0.904	0.887	0.834	74.9	6.0	19.6	3584	0.4	2.6	12.2	5030
YX2-KS450-2L	1250	2984	95.8%	95.9%	95.5%	0.902	0.885	0.830	83.6	6.0	22.1	4000	0.4	2.6	12.7	5150
YX2-KS450-2L	1400	2984	96.0%	96.2%	95.8%	0.904	0.890	0.839	93.1	5.5	23.5	4480	0.4	2.4	13.8	5350
YX2-KS450-4	1120	1486	95.9%	96.1%	95.8%	0.852	0.823	0.743	79.2	4.9	27.2	7196	0.5	2.3	21.4	4870
YX2-KS450-4	1250	1486	96.0%	96.3%	96.1%	0.856	0.831	0.756	87.9	4.8	28.8	8033	0.5	2.2	23.0	5010
YX2-KS450-4	1400	1486	96.1%	96.4%	96.3%	0.856	0.832	0.759	98.3	4.7	31.6	8998	0.5	2.2	24.6	5150
YX2-KS450-4	1600	1486	96.2%	96.5%	96.4%	0.852	0.829	0.756	112.7	4.6	36.3	10286	0.5	2.1	26.3	5300
YX2-KS450-6	710	990	95.5%	95.7%	95.4%	0.830	0.789	0.691	51.8	5.4	20.7	6846	0.8	2.4	24.6	4680
YX2-KS450-6	800	990	95.6%	95.9%	95.8%	0.841	0.808	0.721	57.5	5.1	20.9	7719	0.7	2.3	26.6	4770
YX2-KS450-6	900	989	95.7%	96.1%	96.0%	0.846	0.819	0.740	64.2	4.8	21.9	8688	0.7	2.1	28.6	4860
YX2-KS450-6	1000	990	95.7%	96.1%	95.9%	0.825	0.788	0.695	73.2	4.9	28.2	9651	0.7	2.2	28.6	4950
YX2-KS450-8	450	740	94.5%	95.1%	95.0%	0.848	0.828	0.759	32.4	4.2	10.3	5806	0.6	1.9	34.4	4490
YX2-KS450-8	500	740	94.7%	95.2%	95.2%	0.848	0.827	0.756	35.9	4.3	11.5	6449	0.6	1.9	37.5	4615
YX2-KS450-8	560	741	94.8%	95.3%	95.2%	0.843	0.818	0.741	40.4	4.4	13.6	7219	0.7	2.0	40.6	4740
YX2-KS450-8	630	741	95.0%	95.5%	95.4%	0.851	0.828	0.756	45.0	4.5	14.5	8121	0.7	2.0	46.7	4990
YX2-KS450-8	710	742	95.3%	95.6%	95.3%	0.828	0.793	0.702	51.9	4.8	19.8	9141	0.8	2.2	49.8	5120
YX2-KS500-2S	1600	2983	95.9%	96.1%	95.7%	0.902	0.889	0.841	106.8	5.5	26.4	5121	0.3	2.4	18.9	6200
YX2-KS500-2S	1800	2984	96.1%	96.3%	96.0%	0.904	0.893	0.848	119.6	5.5	28.6	5761	0.3	2.4	20.7	6400
YX2-KS500-2S	2000	2985	96.4%	96.6%	96.3%	0.905	0.892	0.845	132.5	5.5	32.3	6399	0.3	2.4	22.5	6600
YX2-KS500-2L	2240	2985	96.6%	96.8%	96.5%	0.912	0.903	0.862	146.9	5.5	32.9	7166	0.3	2.4	26.2	7000
YX2-KS500-2L	2500	2986	96.7%	96.9%	96.6%	0.903	0.886	0.832	165.2	6.0	43.3	7994	0.3	2.6	27.4	7200
YX2-KS500-4	1800	1489	96.3%	96.7%	96.6%	0.905	0.900	0.865	119.2	4.9	25.5	11545	0.5	2.1	47.3	6020
YX2-KS500-4	2000	1489	96.5%	96.8%	96.8%	0.911	0.908	0.876	131.4	5.0	26.5	12826	0.5	2.2	54.0	6410
YX2-KS500-4	2240	1490	96.7%	97.0%	96.9%	0.905	0.895	0.851	147.9	5.5	34.8	14356	0.6	2.3	57.3	6600

型号 Type	功率 Rated Power (kW)	转速 Speed (r/min)	效率 Efficiency (%)			功率因数 Power Factor (cosφ)			额定 电流 Current (A)	启动 电流 倍数 I _{st}	空载 电流 I ₀	额定 转矩 Rated Torque (N·m)	启动 转矩 倍数 T _{st} *	最大 转矩 倍数 T _m *	转子转动惯量 Moment of Inertia (kg/m ²)	电机 总重 Weight (kg)
			100% Load	75% Load	50% Load	100% Load	75% Load	50% Load								
YX2-KS500-6	1120	991	96.0%	96.4%	96.5%	0.889	0.878	0.829	75.8	4.9	19.1	10789	0.6	2.1	61.0	5800
YX2-KS500-6	1250	992	96.1%	96.5%	96.4%	0.873	0.852	0.784	86.0	5.3	26.1	12032	0.6	2.3	61.0	5910
YX2-KS500-6	1400	992	96.3%	96.7%	96.7%	0.882	0.864	0.803	95.2	5.3	27.0	13476	0.6	2.3	69.6	6020
YX2-KS500-6	1600	993	96.4%	96.7%	96.5%	0.844	0.807	0.715	113.5	5.8	42.6	15389	0.7	2.5	69.6	6140
YX2-KS500-8	800	744	95.7%	96.0%	95.9%	0.851	0.826	0.751	56.7	4.9	18.7	10270	0.6	2.1	72.3	5790
YX2-KS500-8	900	744	95.8%	96.2%	96.0%	0.851	0.829	0.757	63.7	4.8	20.4	11556	0.6	2.0	77.4	5950
YX2-KS500-8	1000	744	95.9%	96.2%	96.1%	0.849	0.826	0.753	70.9	4.8	23.1	12840	0.6	2.0	82.5	6110
YX2-KS500-8	1120	744	95.9%	96.3%	96.2%	0.841	0.815	0.738	80.1	4.8	27.2	14379	0.6	2.0	87.6	6270
YX2-KS500-8	1250	744	96.1%	96.4%	96.2%	0.828	0.797	0.710	90.7	4.9	33.2	16044	0.7	2.1	92.7	6440
YX2-KS500-10	630	594	94.8%	95.1%	94.6%	0.788	0.731	0.613	48.7	5.4	23.4	10121	0.9	2.5	67.4	5590
YX2-KS500-10	710	594	95.0%	95.3%	94.9%	0.790	0.735	0.620	54.6	5.3	25.8	11408	0.8	2.4	72.6	5750
YX2-KS500-10	800	594	95.2%	95.6%	95.4%	0.818	0.774	0.672	59.3	5.1	24.6	12861	0.8	2.3	82.8	5910
YX2-KS500-10	820	594	95.2%	95.6%	95.4%	0.820	0.779	0.679	60.7	5.0	24.6	13186	0.8	2.3	82.8	6070
YX2-KS500-12	450	495	94.6%	94.6%	93.8%	0.715	0.646	0.520	38.4	4.6	21.7	8677	0.8	2.3	61.8	5760
YX2-KS500-12	500	495	94.5%	94.7%	94.2%	0.734	0.674	0.554	41.6	4.3	21.7	9653	0.7	2.1	61.8	5860
YX2-KS500-12	560	494	94.5%	94.8%	94.3%	0.741	0.684	0.567	46.2	4.2	23.3	10816	0.7	2.0	66.2	5960
YX2-KS500-12	630	494	94.6%	94.9%	94.5%	0.740	0.685	0.570	52.0	4.0	25.9	12173	0.7	2.0	70.5	6060
YX2-KS560-2L	2800	2986	96.7%	96.6%	96.0%	0.899	0.876	0.813	186.0	6.5	53.8	8954	0.4	2.8	40.3	9600
YX2-KS560-2L	3150	2986	96.8%	96.8%	96.4%	0.912	0.897	0.846	205.9	6.5	51.6	10075	0.4	2.8	45.3	9800
YX2-KS560-2L	3550	2984	97.0%	97.0%	96.7%	0.917	0.908	0.869	230.5	6.0	50.5	11360	0.3	2.4	47.8	10200
YX2-KS560-2L	4000	2984	97.1%	97.2%	96.9%	0.923	0.917	0.885	257.6	5.5	51.4	12800	0.3	2.4	52.8	10600
YX2-KS560-2L	4500	2984	97.2%	97.3%	97.1%	0.922	0.915	0.881	289.9	6.0	59.5	14399	0.4	2.4	57.9	10800
YX2-KS560-4	2500	1488	96.4%	96.7%	96.5%	0.889	0.887	0.853	168.4	4.3	36.5	16044	0.4	1.9	77.5	8660
YX2-KS560-4	2800	1489	96.6%	96.8%	96.6%	0.881	0.871	0.822	190.0	4.6	48.3	17958	0.5	2.1	82.9	8865
YX2-KS560-4	3150	1491	96.9%	97.0%	96.7%	0.874	0.851	0.784	214.9	5.5	65.5	20177	0.6	2.4	99.3	9480
YX2-KS560-4	3550	1491	97.0%	97.2%	96.9%	0.884	0.868	0.812	239.0	5.3	65.3	22744	0.6	2.3	110.2	9890
YX2-KS560-4	4000	1490	97.1%	97.3%	97.1%	0.889	0.875	0.823	267.8	5.3	69.6	25630	0.6	2.3	121.1	10300
YX2-KS560-6	1800	992	96.4%	96.6%	96.5%	0.879	0.861	0.802	122.7	5.1	34.7	17321	0.6	2.2	106.0	8340
YX2-KS560-6	2000	993	96.6													

型号 Type	功率 Rated Power (kW)	转速 Speed (r/min)	效率 Efficiency (%)			功率因数 Power Factor (cosφ)			额定 电流 Current (A)	启动 电流 倍数 I _a	空载 电流 I ₀	额定 转矩 Rated Torque (N·m)	启动 转矩 倍数 Tst*	最大 转矩 倍数 Tm*	转子转 动惯量 Moment of Inertia (kg/m ²)	电机 总重 Weight (kg)
			100% Load	75% Load	50% Load	100% Load	75% Load	50% Load								
YX2-KS560-10	1600	594	96.1%	96.4%	96.3%	0.841	0.808	0.721	114.3	5.2	41.5	25721	0.8	2.3	200.0	9750
YX2-KS560-10	1800	595	96.2%	96.4%	96.1%	0.809	0.760	0.653	133.6	5.6	58.2	28904	0.9	2.5	218.9	10020
YX2-KS560-12	710	493	94.5%	95.3%	95.6%	0.840	0.823	0.757	51.7	3.7	16.0	13765	0.5	1.8	133.9	8220
YX2-KS560-12	800	493	94.5%	95.3%	95.5%	0.831	0.808	0.731	58.8	3.9	19.9	15500	0.6	1.8	133.9	8420
YX2-KS560-12	900	493	94.6%	95.4%	95.6%	0.828	0.804	0.726	66.3	3.9	22.7	17437	0.6	1.8	143.4	8620
YX2-KS560-12	1000	493	94.9%	95.7%	95.9%	0.833	0.815	0.745	73.0	3.8	23.4	19380	0.5	1.8	162.2	9000
YX2-KS560-12	1120	493	95.0%	95.8%	96.0%	0.836	0.818	0.749	81.5	3.8	25.7	21703	0.5	1.8	181.1	9380
YX2-KS560-12	1250	493	95.2%	95.9%	96.0%	0.833	0.811	0.737	91.0	3.9	30.1	24205	0.6	1.9	200.0	9760
YX2-KS560-12	1400	494	95.5%	96.0%	96.1%	0.820	0.789	0.702	103.2	4.2	38.2	27079	0.6	2.0	218.9	9990
YX2-KS630-2L	5000	2987	97.0%	96.9%	96.4%	0.910	0.892	0.837	327.1	6.5	86.0	15985	0.3	2.8	98.4	13300
YX2-KS630-2L	5600	2987	97.2%	97.1%	96.6%	0.914	0.898	0.847	363.9	6.5	91.5	17903	0.3	2.8	107.8	13600
YX2-KS630-2L	6300	2987	97.3%	97.3%	96.9%	0.923	0.911	0.870	405.3	6.5	90.8	20143	0.3	2.8	117.2	13900
YX2-KS630-2L	7100	2987	97.4%	97.4%	97.0%	0.913	0.898	0.849	461.0	6.0	113.7	22700	0.3	2.8	121.9	14200
YX2-KS630-4	4500	1491	97.0%	97.1%	96.8%	0.900	0.889	0.844	297.6	5.3	71.4	28829	0.5	2.3	157.9	11720
YX2-KS630-4	5000	1491	97.1%	97.2%	97.0%	0.905	0.895	0.852	328.7	5.4	76.4	32029	0.5	2.4	175.3	12240
YX2-KS630-4	5600	1491	97.3%	97.4%	97.2%	0.903	0.892	0.847	368.2	5.5	87.9	35866	0.5	2.4	192.7	12760
YX2-KS630-4	6300	1491	97.4%	97.5%	97.3%	0.907	0.896	0.853	412.0	5.6	96.1	40343	0.5	2.4	218.7	13540
YX2-KS630-6	3150	992	96.7%	96.9%	96.8%	0.888	0.883	0.842	211.7	4.8	49.0	30324	0.5	2.0	209.0	11430
YX2-KS630-6	3550	992	96.8%	97.0%	96.9%	0.884	0.878	0.836	239.5	4.7	56.9	34175	0.5	2.0	220.6	11690
YX2-KS630-6	4000	992	96.9%	97.2%	97.1%	0.886	0.883	0.846	269.0	4.6	60.2	38514	0.5	1.9	243.6	12190
YX2-KS630-6	4500	993	97.2%	97.4%	97.2%	0.884	0.871	0.819	302.4	5.3	79.2	43272	0.6	2.2	289.6	12690
YX2-KS630-6	5000	994	97.3%	97.4%	97.2%	0.874	0.854	0.789	339.4	5.6	100.4	48056	0.7	2.3	312.6	13190
YX2-KS630-6	5600	993	97.2%	97.4%	97.4%	0.877	0.865	0.812	379.4	5.0	100.4	53871	0.6	2.1	312.6	13680
YX2-KS630-8	2800	746	97.0%	97.2%	97.1%	0.854	0.845	0.793	195.1	4.4	53.0	35862	0.4	1.8	286.2	12020
YX2-KS630-8	3150	747	97.2%	97.3%	97.0%	0.833	0.802	0.717	224.8	5.4	81.3	40292	0.6	2.2	342.9	13020
YX2-KS630-8	3550	747	97.3%	97.4%	97.1%	0.844	0.819	0.743	249.8	5.2	83.4	45413	0.5	2.1	385.4	13770
YX2-KS630-8	4000	747	97.3%	97.4%	97.2%	0.830	0.799	0.714	285.8	5.3	103.5	51162	0.6	2.2	413.8	14230
YX2-KS630-10	2000	595	96.4%	96.7%	96.6%	0.848	0.826	0.755	141.3	4.9	45.2	32081	0.5	2.0	316.0	11460
YX2-KS630-10	2240	596	96.5%	96.8%	96.7%	0.856	0.837	0.769	156.5	4.9	48.2	35916	0.6	2.1	381.3	12460
YX2-KS630-10	2500	596	96.8%	96.9%	96.6%	0.834	0.797	0.706	179.0	5.6	68.0	40039	0.7	2.4	430.7	13210
YX2-KS630-10	2800	596	96.8%	96.9%	96.6%	0.819	0.777	0.677	203.9	5.7	83.4	44834	0.7	2.4	463.5	13730
YX2-KS630-12	1600	494	95.8%	96.2%	96.1%	0.824	0.787	0.693	117.0	4.8	45.3	30924	0.7	2.2	299.4	11130
YX2-KS630-12	1800	495	96.0%	96.3%	96.2%	0.821	0.780	0.681	131.9	5.0	53.1	34757	0.7	2.3	348.8	11880
YX2-KS630-12	2000	495	96.1%	96.3%	96.1%	0.810	0.760	0.650	148.4	5.5	65.4	38565	0.8	2.6	414.6	12880
YX2-KS630-12	2240	495	96.2%	96.5%	96.2%	0.814	0.766	0.659	165.2	5.5	71.1	43191	0.8	2.6	464.0	13670

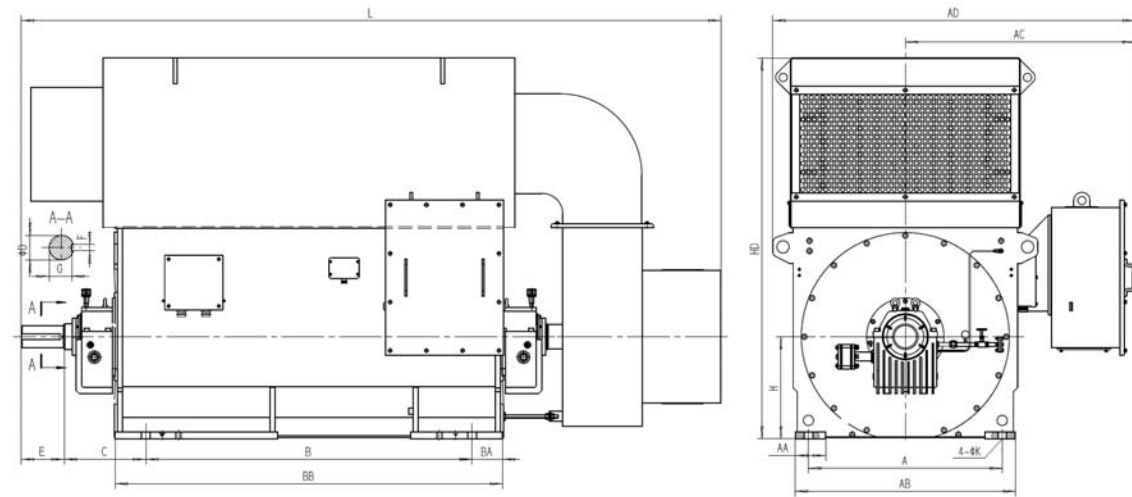
十、电动机外形图及安装尺寸表

LAYOUT DRAWINGS AND DIMENSIONS



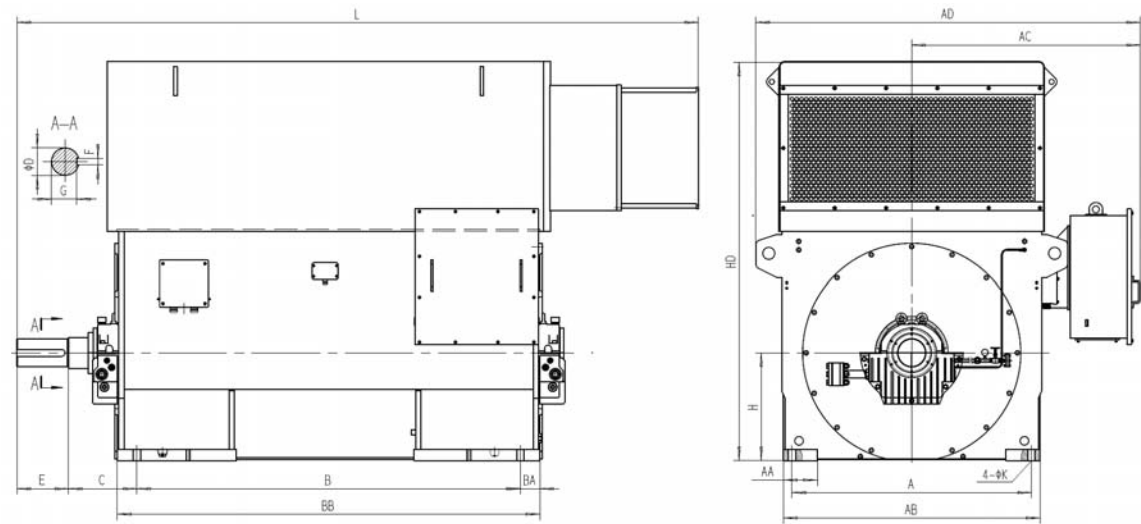
滚动、空空冷
Rolling Air-air cooling

中心高	极数	机座型式	A	AA	AB	B	BA	BB	C	D	E	F	G	K	L	AC	AD	HD
355	2	S	710	100	780	1000	150	1300	280	70	140	20	62.5	35	2500	975	1475	1570
355	2	L	710	100	780	1120	150	1420	280	70	140	20	62.5	35	2620	975	1475	1570
355	≥4	/	710	100	780	1120	150	1420	280	100	210	28	90	35	2380	975	1475	1470
400	2	S	750	150	880	1120	150	1420	335	80	170	22	71	35	2700	1025	1575	1630
400	2	L	750	150	880	1250	150	1550	280	80	170	22	71	35	2830	1025	1575	1630
400	≥4	/	750	150	880	1250	150	1550	280	110	210	28	100	35	2540	1025	1575	1530
450	2	S	850	150	980	1250	150	1550	280	90	170	25	81	42	2925	1075	1675	1825
450	2	L	850	150	980	1400	150	1700	280	90	170	25	81	42	3075	1075	1675	1825
450	≥4	/	850	150	980	1400	150	1700	280	120	210	32	109	42	2680	1075	1675	1725
500	≥4	/	950	150	1080	1600	150	1900	280	140	250	36	128	42	3140	1125	1775	1870
560	4	/	1180	200	1320	2000	115	2230	280	160	300	40	147	42	4075	1245	2065	2090
560	≥6	/	1180	200	1320	2000	115	2230	280	180	300	45	165	42	4075	1245	2065	2090
630	4	/	1400	200	1500	2240	115	2470	280	180	300	45	165	42	4285	1335	2245	2345
630	≥6	/	1400	200	1500	2240	115	2470	280	200	350	45	185	42	4335	1335	2245	2345



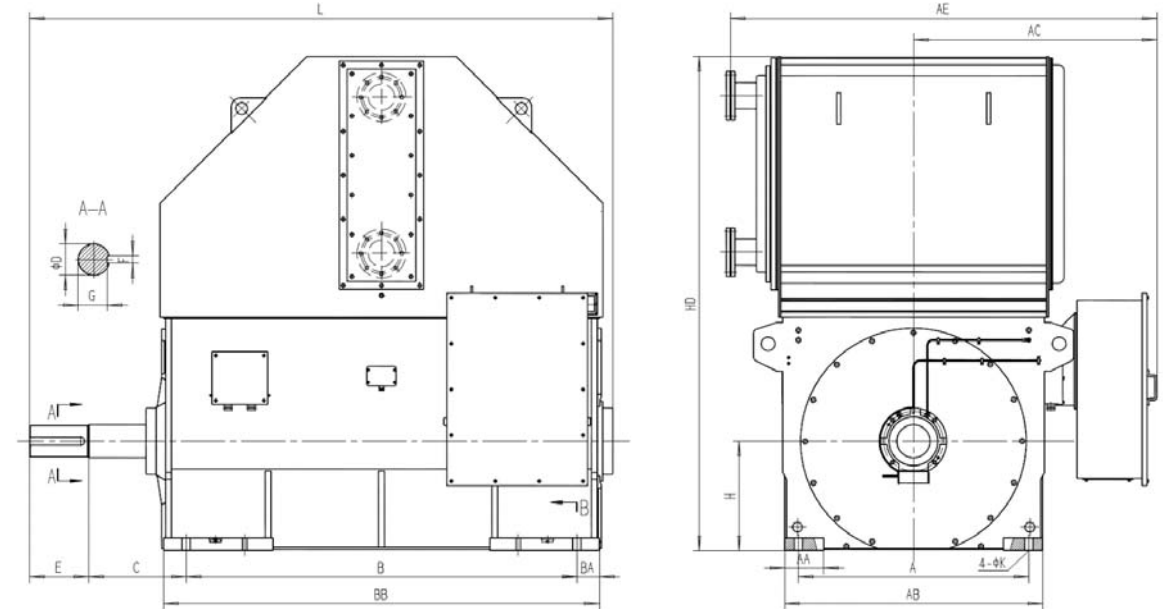
滑动、空空冷
Sliding Air-air cooling

中心高	极数	机座型式	A	AA	AB	B	BA	BB	C	D	E	F	G	K	L	AC	AD	HD
500	2	S	950	150	1080	1400	150	1700	400	110	210	28	100	42	3335	1125	1775	1970
500	2	L	950	150	1080	1600	150	1900	400	110	210	28	100	42	3535	1125	1775	1970
500	≥4	/	950	150	1080	1600	150	1900	500	140	250	36	128	42	3360	1125	1775	1870
560	4	/	1180	200	1320	2000	115	2230	500	160	300	40	147	42	4295	1245	2065	2090
560	≥6	/	1180	200	1320	2000	115	2230	500	180	300	45	165	42	4295	1245	2065	2090
630	4	/	1400	200	1500	2240	115	2470	500	180	300	45	165	42	4505	1335	2245	2345
630	≥6	/	1400	200	1500	2240	115	2470	500	200	350	45	185	42	4555	1335	2245	2345



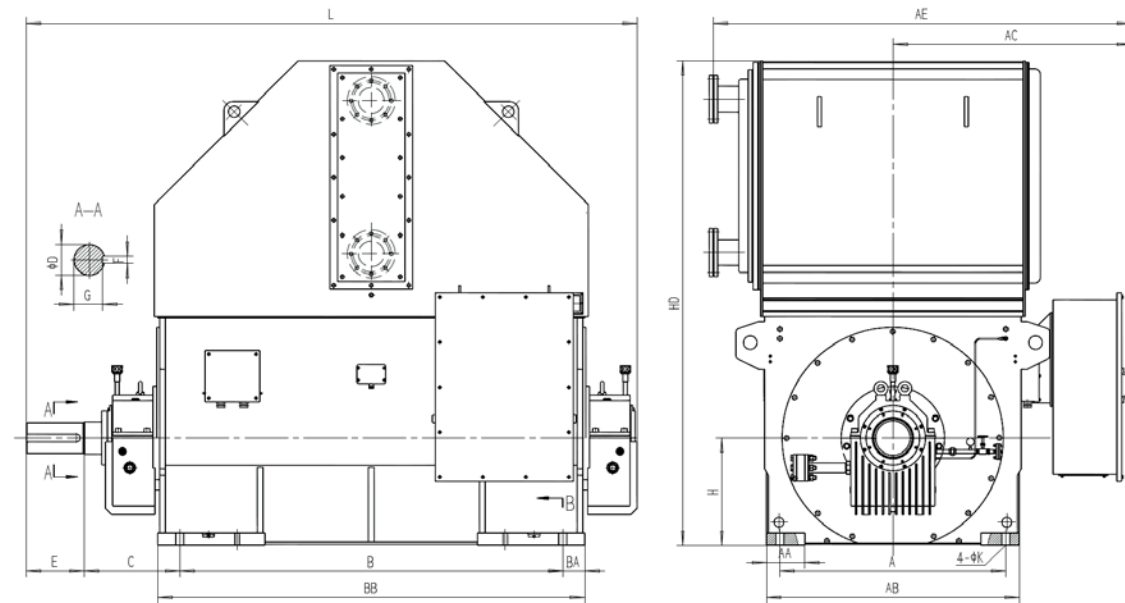
滑动、空空冷
Sliding Air-air cooling

中心高	极数	机座型式	A	AA	AB	B	BA	BB	C	D	E	F	G	K	L	AC	AD	HD
560	2	L	1180	200	1320	2000	115	2230	400	140	250	36	128	42	3800	1245	2065	2400
630	2	L	1400	200	1500	2240	115	2470	400	160	300	40	147	42	4100	1335	2245	2650



滚动、空水冷
Rolling Air-water cooling

中心高	极数	机座型式	A	AA	AB	B	BA	BB	C	D	E	F	G	K	L	AC	AD	HD
355	2	S	710	120	780	1000	150	1300	280	70	140	20	62.5	35	1735	975	1590	1835
355	2	L	710	120	780	1120	150	1420	280	70	140	20	62.5	35	1855	975	1590	1835
355	≥4	/	710	100	780	1120	150	1420	280	100	210	28	90	35	1840	975	1590	1750
400	2	S	750	150	880	1120	150	1420	280	80	170	22	71	35	1885	1025	1690	1925
400	2	L	750	150	880	1250	150	1550	280	80	170	22	71	35	2015	1025	1690	1925
400	≥4	/	750	150	880	1250	150	1550	280	110	210	28	100	35	1970	1025	1690	1840
450	2	S	850	150	980	1250	150	1550	280	90	170	25	81	42	2065	1075	1790	2260
450	2	L	850	150	980	1400	150	1700	280	90	170	25	81	42	2215	1075	1790	2260
450	≥4	/	850	150	980	1400	150	1700	280	120	210	32	109	42	2130	1075	1790	2180
500	≥4	/	950	150	1080	1600	150	1900	280	140	250	36	128	42	2380	1125	1890	2195
560	4	/	1180	200	1320	2000	115	2230	280	160	300	40	147	42	2780	1245	2245	2540
560	≥6	/	1180	200	1320	2000	115	2230	280	180	300	45	165	42	2780	1245	2245	2540
630	4	/	1400	200	1500	2240	115	2470	280	180	300	45	165	42	3020	1335	2425	2690
630	≥6	/	1400	200	1500	2240	115	2470	280	200	350	45	185	42	3080	1335	2425	2690



滑动、空水冷
Sliding Air- water cooling

中心高	极数	机座型式	A	AA	AB	B	BA	BB	C	D	E	F	G	K	L	AC	AD	HD
500	2	S	950	150	1080	1400	150	1700	400	110	210	28	100	42	2420	1125	1890	2280
500	2	L	950	150	1080	1600	150	1900	400	110	210	28	100	42	2620	1125	1890	2280
500	>4	/	950	150	1080	1600	150	1900	500	140	250	36	128	42	2770	1125	1890	1870
560	2	L	1180	200	1320	2000	115	2230	400	140	250	36	128	42	3050	1245	2245	2400
560	4	/	1180	200	1320	2000	115	2230	500	160	300	40	147	42	3200	1245	2245	2540
560	>6	/	1180	200	1320	2000	115	2230	500	180	300	45	165	42	3200	1245	2245	2540
630	2	L	1400	200	1500	2240	115	2470	400	160	300	40	147	42	3320	1335	2425	2600
630	4	/	1400	200	1500	2240	115	2470	500	180	300	45	165	42	3450	1335	2425	2690
630	>6	/	1400	200	1500	2240	115	2470	500	200	350	45	185	42	3500	1335	2425	2690

营销网点

SALES NETWORKS

大区	网点	城市	负责人	手机	地址
上海大区	本部办事处	上海	周勤强	13909243991	上海市闵行区江川路555号
北京大区	北京办事处	北京	董海生	18610034386	北京市海淀区首体南路6号新世纪日航饭店写字楼955室
华北大区	石家庄办事处	石家庄	宋 鑫	18602476818	石家庄桥西区裕华西路海悦天地广场A座2016室
	太原办事处	太原	蔡一丁	13904045740	山西省太原市建设南路206号中正花园二期4号楼1单元2703号
	唐山办事处	唐山	焦 旭	13817846706	河北省唐山市路北区军安里尚座花园104-7-1602室
华东大区	南京办事处	南京	曾照杨	15921956881	江苏省南京市江宁区金源路2号绿地城际空间站D1-1502 (南京南站南广场)
	济南办事处	济南	路永明	13671595429	山东省济南市槐荫区和谐佳苑4区7-2-701
华中大区	武汉办事处	武汉	邹 杰	13329704527	武汉市武昌区徐东路50号山河大厦3803室
	郑州办事处	郑州	印 华	13311797637	郑州市郑东新区普惠路2号新里·卢浮公馆二期5号楼二单元14层189室
		洛阳	营 建	15216763204	洛阳市涧西区世纪华阳小区2号楼602室
	长沙办事处	长沙	陈永嘉	18674835655	湖南省长沙市岳麓区许家洲路106号 兰亭湾畔二期C3栋1904室
西南大区	成都办事处	成都	朱锦坤	18601692805	成都市高新区蜀锦路88号楚峰国际中心1104室
		重庆			重庆市渝中区大坪长江二路77号附16号B、2栋34-7 (万友康年公寓)
	昆明办事处	昆明	熊 伟	15285192820	云南省昆明市盘龙区石闸立交桥旁金色俊园F栋2807
东北大区	沈阳办事处	沈阳	王超群	18640158897	辽宁省沈阳市沈河区青年大街219号华新国际大厦4-J、4-K
华南大区	广州办事处	广州	王 辉	13485375062	广东省广州市天河区华庭路4号富力天河商务大厦1204房
		南宁	王 铭	13978602484	广西南宁市西乡塘区大学东路35号翰林学府3号楼二十八层2801室
东南大区	杭州办事处	杭州	谢 钟	15601706655	杭州市江干区全福桥路298号富亿中心A座1312
	福州办事处	福州			福州市晋安区 电建路19号 茶园新苑13号1112
西北大区		西安	周 杰	13816677420	陕西省西安市莲湖区唐延路北段20号太和时代广场D座1209室
		新疆			新疆乌鲁木齐市经开区喀纳斯南路和兴雅轩8-3-901
		榆林			陕西省榆林市榆阳区巨丰智慧城30栋2单元101