

LOW-VOLTAGE MOTOR

低压电动机选型手册

上海电气集团上海电机厂有限公司
Shanghai Electric Machinery Co.,Ltd.

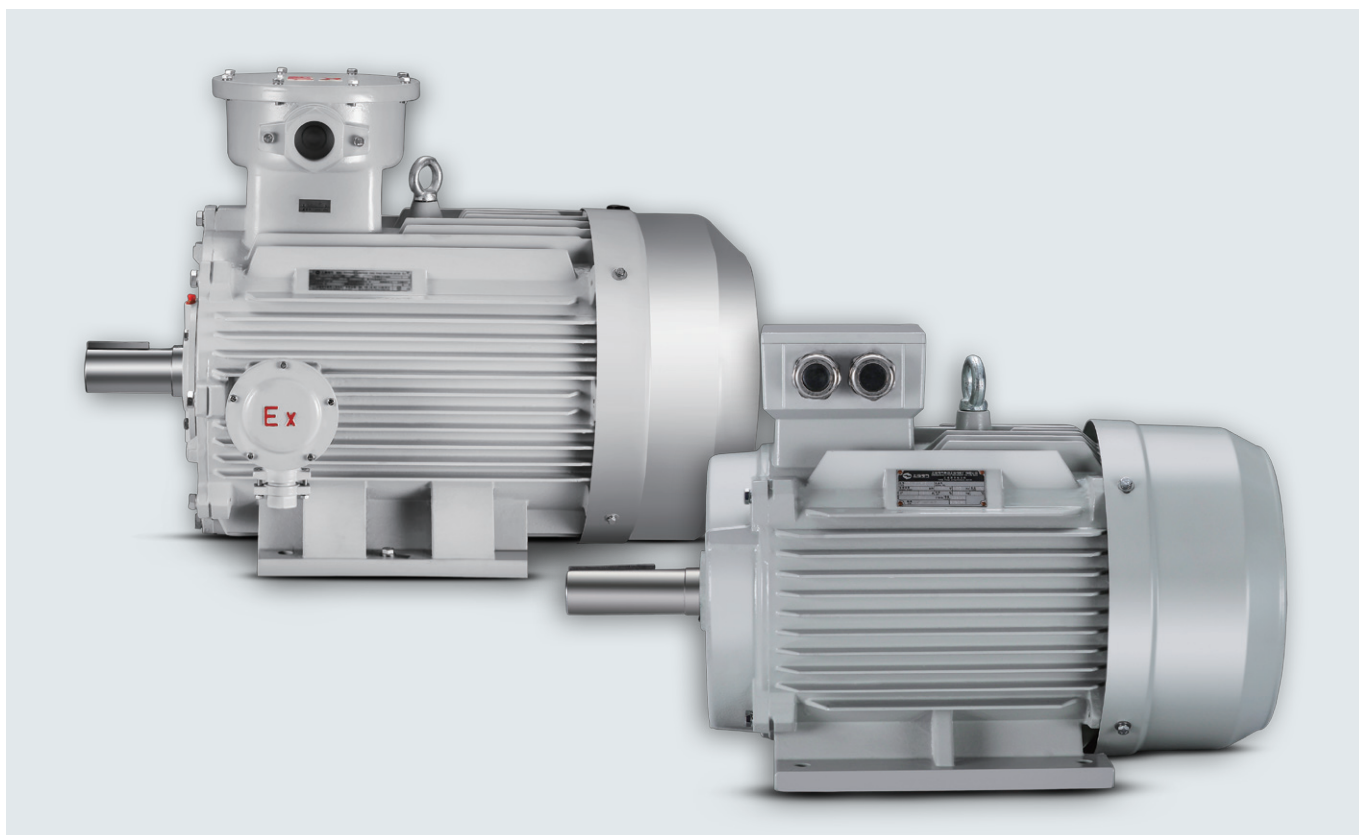
目 录 Contents

产品概述.....	02
General Information	
技术特性.....	04
Technical Characteristics	
技术数据.....	07
Technical Data	
外形尺寸.....	31
Dimension Drawings	
可选附件.....	46
Optional Accessories	
订货信息.....	46
Ordering Information	
售后服务.....	50
After Sales Service	
营销网络.....	51
Sales Network	

低压电动机边界条件 Low voltage motor conditions

低压电动机系列 Low voltage motor series	机座号 Frame Size (mm)	极数 Poles	额定电压 Rated Voltage (V)	额定频率 Rated frequency (Hz)	额定功率 Rated Output (kW)	
通用	YE3	H80 ~ 450	2、4、6、8、10	380、660	50	0.55 ~ 900
	YE4	H80 ~ 355	2、4、6、8	380	50	0.55 ~ 450
	YE5	H80 ~ 355	2、4、6、8	380	50	0.75 ~ 315
	BPY	H80 ~ 450	2、4、6、8、10	380、660	50	0.55 ~ 900
隔爆	YBX3	H80 ~ 355	2、4、6、8、10	380、660 380/660	50	0.55 ~ 315
	YBX4	H80 ~ 355	2、4、6、8、10	380、660 380/660	50	0.55 ~ 315
	YBBP	H80 ~ 355	2、4、6、8、10	380、660 380/660	50	0.55 ~ 315

电源条件：电压变动率 $\pm 5\%$ ，频率变动率 $\pm 2\%$ ，电压及频率合并变动率 $\pm 5\%$ 。
Supply Power: Voltage variable $\pm 5\%$, frequency variable $\pm 2\%$, combine voltage and frequency variable $\pm 5\%$.



产品概述 General Information

产品简介

● YE3、YE4、YE5系列三相异步电动机

采用新材料、新工艺及优化设计而制造的全封闭自扇冷鼠笼式三相异步电动机，是高效节能型电动机。电动机具有起动转矩大、噪音低、振动小等特点，同时具有效率高、防护等级高、温升裕度大，运行安全可靠等优点，节能效果明显。用于驱动机床、风机、水泵、压缩机、搅拌机、包装机械、建筑机械等各类机械传动设备，适用于工业、农业、国防、化工、石油、运输、食品、医药等各个领域。

● YBX3、YBX4、YBBP系列隔爆型三相异步电动机

该系列电动机隔爆性能优良、结构紧凑、运行安全可靠、安装及维护方便等优点。防爆性能符合GB 3836.1《爆炸性气体环境用电气设备第1部分：通用要求》和GB 3836.2《爆炸性气体环境用电气设备第2部分：隔爆型“d”》的规定。用于风机、水泵、压缩机、搅拌机等各类机械传动设备。适用于除煤矿井下外用、含爆炸性气体温度组别为T4组的烷、苯、醇类、氢气等的II类场所，防爆标志Exd II AT4Gb、Exd II BT4Gb或Exd II CT4Gb。

★ YE3、YE4、YE5、YBX3、YBX4系列分别符合GB 18613-2020《电动机能效限定值及能效等级》能效等级

Product Introduction

● YE3, YE4, YE5 Series Three-phase Induction Motors

These series provide a cost-efficient solution, with totally-enclosed fan cooling.

The motors have large starting torque, low noise, small vibration, high efficiency, high degree of protection, large margin of temperature rise, safe and reliable operation, etc. It can drive machine tools, fans, pumps, compressors, mixers, packaging machinery, construction machinery and other mechanical transmission equipment, widely used in industries such as agriculture, national defense, chemical industry, petroleum, transportation, food and beverages, medicine and other fields.

● YBX3, YBX4, YBBP Series – Motors for Explosive Atmospheres

This series of motors has the advantages of excellent explosion-proof performance, compact structure, safe and reliable operation, easy installation and maintenance, etc. The explosion-proof performance complies with GB 3836.1 Electrical Equipment for Explosive Atmospheres Part 1: General requirements and GB 3836.2 Electrical Equipment for Explosive Atmospheres Part 2: Flameproof Type "d". It can be applied to various mechanical transmission equipment such as fans, pumps, compressors, mixers, etc. It is widely used in Class I area with explosive gas methane and non-mining face under the coal mine, with explosion-proof mark ExdIMb; it is also suitable for class II area with explosive gas temperature class T4, such as alkane, benzene, alcohol, hydrogen, etc., with explosion-proof mark ExdIIAT4Gb, ExdII BT4Gb or ExdII CT4Gb.

★ YE3, YE4, YE5, YBX3 and YBX4 series respectively conform to the energy efficiency level of GB 18613-2020 Energy Efficiency Limits as shown in the table below:

系列代号 Series Code	国家能效等级 Energy Efficiency Grade	IEC能效等级 IEC Energy Efficiency Grade	备注 Remark
YE3	3级能效	IE3	能效标准: GB 18613-2020及 IEC 60034-30-1 Energy efficiency standards; GB 18613-2020 And IEC 60034-30-1:2014
YE4	2级能效	IE4	
YE5	1级能效	IE5	
YBX3	3级能效	IE3	
YBX4	2级能效	IE4	

● BPY系列变频调速三相异步电动机

具有噪声低、振动小、调速范围广、运行可靠、维护方便等优点，可与国内外各类变频装置配套使用，有助于节能和实现自动控制。

● BPY Series VVVF Induction Motors

This series has the advantages of low noise, small vibration, wide range of speed regulation, reliable operation, easy maintenance, etc. it can be used with all kinds of frequency conversion devices at home and abroad, which is helpful for energy saving and automatic control.

该系列电动机采用单独的轴流风机强迫通风，绝缘可靠，性能优良，对电磁线、浸渍漆等主绝缘材料，采取了先进的介电分析法进行质量控制，并在绝缘处理过程中采用动态介电测量，控制浸渍漆烘焙过程，保证了电机绝缘质量稳定可靠，并对变频器高载波频率引起的过电压具有很强的适应能力。可用于机床、纺织、化工、冶金、工业洗衣机等行业的恒转矩（5~50Hz）和恒功率（50~100Hz）调速及风机水泵等场合的节能调速的各类机械传动负载。广泛适用于工业、农业、国防、化工、石油、运输、食品、医药等各个领域。

This series of motors adopt separate axial-flow fan for forced ventilation, with reliable insulation and excellent performance. For main insulating materials such as electromagnetic wire and VPI resin, dielectric analysis method is adopted for quality control, and dynamic dielectric measurement is adopted in the insulation treatment process to control the baking process of VPI and baking, which ensures the stable and reliable insulation of the motor, which has a strong adaptability to the overvoltage caused by the high carrier frequency of the frequency converter. It is widely used in industry, agriculture, national defense, chemical industry, petroleum, transportation, food and beverages, medicine and other fields.

型号及标识 Model and characteristic

YE3系列 (Series)	
YE3	
Y	异步电动机 Asynchronous Motor
E	高效率 High Efficiency
3	效率等级 Energy Efficiency Grade
160	机座号 Frame Size
L	铁心长度 Core Length
4	极数 Poles

BPY系列 (Series)	
BPY-160L-4	
BP	变频调速 Frequency Control
Y	异步电动机 Asynchronous Motor
160	机座号 Frame size
L	铁心长度 Core Length
4	极数 Poles

YBX3系列 (Series)			
YBX3-160L-4			
Y	异步电动机 Asynchronous Motor	160	机座号 Frame Size
X	高效率 High Efficiency	L	铁心长度 Core Length
B	隔爆型 Explosion-Proof Type	4	极数 Poles
3	第3次设计 The Third Design		

防爆标志 Explosion Proof Marking

Ex d II B T4 Gb

Ex	防爆标志 Ex Sign	B	气体组别 Gas group (T1~T4)
d	隔爆型 Explosion-proof type	T4	温度组别 Temperature group
II	使用环境 Used condition	Gb	设备保护级别 EPL

YBBP系列 (Series)

YBBP-160L-4

Y	异步电动机 Asynchronous Motor		
B	隔爆型 Explosion-Proof Type	L	铁心长度 Core Length
BP	变频调速 Frequency Control	4	极数 Poles
160	机座号 Frame Size		

技术特性 Technical characteristics

YE3、YE4、YE5系列

- 1) 标准安装结构类型(符合GB/T997标准规定);
- 2) 采用F级绝缘结构, 满足B级温升考核;
- 3) 工作制为S1, 冷却方式为IC411, 外壳防护等级达到IP55;
- 4) 机座号225及以下采用封闭轴承, 225以上带有再润滑结构;
- 5) 出线盒位于机座顶部, 并可根据需要制造成左右出线;
- 6) 可根据需要选用不同的测温保护元件、加热器。

BPY系列

- 1) 标准安装结构类型(符合GB/T997标准规定);
- 2) 特殊的绝缘结构, 适合变频器输出的高载波频率电压;
- 3) 工作制为S1, 冷却方式为IC416轴流风机冷却, 冷却能力不受电机自身转速变化的影响, 外壳防护等级为IP55;
- 4) 调速范围广, 在5~50Hz内实现恒转矩调速, 在50~100Hz内实现恒功率调速;
- 5) 低频时起动转矩大, 运行平稳, 无爬行现象;
- 6) 可根据需要选用不同的测温保护元件、加热器;
- 7) 可按需求安装各类编码器。

YBX3、YBX4 系列

- 1) 标准安装结构类型(符合GB/T997标准规定);
- 2) 采用F级绝缘结构, 满足B级温升考核;
- 3) 工作制为S1, 冷却方式为IC411, 外壳防护等级为IP55;
- 4) 机座号225及以下采用封闭轴承, 225以上带有再润滑结构;
- 5) 出线盒位于机座顶部, 具有优良的隔爆性能。

YBBP系列

- 1) 标准安装结构类型(符合GB/T997标准规定);
- 2) 具有优良的隔爆性能及高防护等级, 特殊的绝缘结构, 适合变频器输出的高载波频率电压;
- 3) 工作制为S1, 冷却方式为IC416轴流风机冷却, 冷却能力不受电机自身转速变化的影响, 外壳防护等级为IP55;
- 4) 调速范围广, 在5~50Hz内实现恒转矩调速, 在50~100Hz内实现恒功率调速;
- 5) 低频时起动转矩大, 运行平稳, 无爬行现象;
- 6) 可按需求安装各类编码器。

YE3, YE4, YE5 Series

1. standard installation structure type (in accordance with GB / T997);
2. 155 (F) class insulation, which can meet 130 (B) class temperature rise assessment;
3. S1 duty, IC411, up to IP55;
4. sealed bearings for frame size 225 and below, re-lubrication structure for frame size above 225;
5. terminal box located at the top of the frame, which can also be arranged to the left or right as required;
6. different temperature measuring elements and heaters can be selected according to the needs.

BPY Series

1. standard installation structure type (in accordance with GB / T997);
2. special insulation structure, suitable for the high carrier frequency voltage from VFD;
3. S1 duty, IC416, the cooling capacity will not be affected by the motor speed variation, and the enclosure protection grade is IP55;
4. wide range of speed regulation, which can realize speed regulation in 5-50Hz at constant torque, speed regulation within 50-100Hz at constant power;
5. large starting torque, stable operation and no creeping phenomenon at low frequency;
6. different temperature measuring protection elements and heaters can be selected according to the needs;
7. various encoders can be installed as required.

YBX3, YBX4 Series

1. standard installation structure type (in accordance with GB / T997);
2. 155 (F) insulation structure and VPI treatment, to meet 130 (B) temperature rise assessment;
3. S1 duty, IC411, up to IP55;
4. sealed bearings for frame size 225 and below, re-lubrication structure for frame size above 225;
5. terminal box located at the top of the frame.

YBBP Series

1. standard installation structure type (in accordance with GB / T997);
2. special insulation structure, suitable for the high carrier frequency voltage from VFD;
3. S1 duty, IC416, the cooling capacity will not be affected by the motor speed variation, and the enclosure protection grade is IP55;
4. wide range of speed regulation, which can realize speed regulation in 5-50Hz at constant torque, speed regulation within 50-100Hz at constant power;
5. large starting torque, stable operation and no creeping phenomenon at low frequency;
6. various encoders can be installed as required.

使用条件 Operating Conditions:

系列 Series	YE3/4/5系列 YE3/4/5 Series	YBX3/4系列 YBX3/4 Series	BPY系列 BPY Series	YBBP系列 BPY Series
环境温度 Ambient Temperature	-15 ~ +40°C			
相对湿度 Relative Humidity	不超过90% (20°C以下) Not Exceed 90% (below 20°C)			
海拔高度 Altitude	≤1000m			
额定电压 Rated Voltage	380V、660V	380V、660V 380/660V	380V 660V	380V、660V 380/660V
额定频率 Rated Frequency	50Hz			
接线方法 Connection	3kW及以下Y接 Y Connection For 3kW And Below 3kW以上△接 △ Connection For 3kW Above		55kW及以下Y接 Y Connection For 55kW And Below 55kW以上△接 △ Connection For 55kW Above	
工作制 Duty	连续工作制 (S1) Continuous Duty(S1)			
绝缘等级 Insulation Class	F级 F Class			
防护等级 Protection Degree	IP55			
冷却方式 Cooling Method	IC411		IC416 IC411 (变转矩负载) (Variable Torque Load)	
旋转方向 Rotation Direction	双向 Dual- Direction			
色标 Color	RAL7001银灰 (默认) 或其他 RAL7001 Silver Gray (Defaulted) Or Other			
出线方向 Terminal Direction	顶部向右 (默认) 或其他 Top Side And Terminal To Right (Defaulted) Or Other			
可选附件: 测温装置 Accessories: RTD	PT100或PTC元件, 可用于机座号H180及以上 (YBX3/4、YBBP机座号280及以上) PT100 or PTC Elements, Frame Size H180 And Above (Frame Size H280 and Above For YBX3、YBBP)			
可选附件: 空间加热装置 Accessories: Space Heater	加热带, 可用于机座号H132及以上 Heater Belt, Frame Size H132 And Above			
包装要求 Package	木箱包装 Wooden Package			

标准电动机设计的最高环境温度为40°C, 最高海拔为1000m。如果当电动机在较高的环境温度或海拔下运行, 额定输出功率相应降低, 详情请咨询电机工程师。

Normal motors are designed for operation at a maximum ambient temperature of 40°C and at a maximum altitude of 1000 meters above sea level. If a motor is operated at higher ambient temperatures or altitude, it should be derated. Detailed information, please contact the electrical engineer.

安装结构形式说明 (IM) Mounting arrangement (IM)

各系列电动机安装结构型式
Series IM

结构型式 Construction Type	机座带底脚, 端盖无法兰 With Feet And Without Flange On The End-Shield (De)					
安装型式 Mounting Type	IM B3 IM 1001	IM B6 IM 1051	IM B7 IM 1061	IM B8 IM 1071	IM V5 IM 1011	IM V6 IM 1031
示意图 Diagram						
机座号 Frame Size	H63 ~ 450	H63 ~ 160	H63 ~ 160	H63 ~ 160	H63 ~ 160	H63 ~ 160
结构型式 Construction Type	机座不带底脚, 端盖有法兰 Without Feet And With Flange On The End-Shield (De)			机座不带底脚, 端盖有小法兰 Without Feet And With Flange On The End-Shield (De)		
安装型式 Mounting Type	IM B5 IM 3001	IM V1 IM 3011	IM V3 IM 3031	IM B14 IM 3601	IM V18 IM 3611	IM V19 IM 3631
示意图 Diagram						
机座号 Frame Size	H63 ~ 280	H63 ~ 450	H63 ~ 160	H63 ~ 112	H63 ~ 112	H80 ~ 112
结构型式 Construction Type	机座带底脚, 端盖有法兰 With Feet And With Flange On The End-Shield (De)			机座带底脚, 端盖有小法兰 With Feet And With Flange On The End-Shield (De)		
安装型式 Mounting Type	IM B35 IM 2001	IM V15 IM 2011	IM V35 IM 2031	IM B34 IM 2101	IM V37 IM 2131	
示意图 Diagram						
机座号 Frame Size	H80 ~ 450	H80 ~ 160	H80 ~ 160	H63 ~ 112	H80 ~ 160	

技术数据 Technical data

YE3 系列技术参数 (380/660V,50Hz,IC411)

表1 Table1

型号 Type	额定 功率 Rated Output (kW)	额定 电压 Rated Volt (V)	额定 电流 Rated Current (A)	额定 转速 Rated speed (rpm)	效率 Eff. (%)	功率 因数 P.F.	空载 噪声 Noise dB(A)	空载 振动 Vibration (mm/s)	堵转 转矩 额定 转矩 Tst/Tn	最大 转矩 额定 转矩 Tmax/Tn	堵转 电流 额定 电流 Ist/In	重量 Weight (kg)
YE3-80M1-2	0.75	380	1.72	2855	80.7	0.82	62	1.6	2.3	2.3	7	18
YE3-80M2-2	1.1	380	2.43	2855	82.7	0.83	62	1.6	2.2	2.3	7.6	21
YE3-90S-2	1.5	380	3.22	2875	84.2	0.84	67	1.6	2.2	2.3	7.9	23
YE3-90L-2	2.2	380	4.58	2875	85.9	0.85	67	1.6	2.2	2.3	7.9	27
YE3-100L-2	3	380	6.0	2880	87.1	0.87	74	1.6	2.2	2.3	8.5	38
YE3-112M-2	4	380	7.8	2900	88.1	0.88	77	1.6	2.2	2.3	8.5	52
YE3-132S1-2	5.5	380	10.6	2900	89.2	0.88	79	1.6	2	2.3	8.5	69
YE3-132S2-2	7.5	380	14.4	2900	90.1	0.88	79	1.6	2	2.3	8.5	78
YE3-160M1-2	11	380	20.6	2940	91.2	0.89	81	2.2	2	2.3	8.5	132
YE3-160M2-2	15	380	27.9	2940	91.9	0.89	81	2.2	2	2.3	8.5	151
YE3-160L-2	18.5	380	34.2	2940	92.4	0.89	81	2.2	2	2.3	8.5	168
YE3-180M-2	22	380	40.5	2955	92.7	0.89	83	2.2	2	2.3	8.5	210
YE3-200L1-2	30	380	54.9	2965	93.3	0.89	84	2.2	2	2.3	8.5	263
YE3-200L2-2	37	380	67.4	2965	93.7	0.89	84	2.2	2	2.3	8.5	290
YE3-225M-2	45	380	80.8	2970	94.0	0.9	86	2.2	2	2.3	8.0	330
YE3-250M-2	55	380	98.5	2975	94.3	0.9	89	2.2	2	2.3	8.0	424
YE3-280S-2	75	380	134	2975	94.7	0.9	91	2.2	1.8	2.3	7.5	560
YE3-280M-2	90	380	160	2975	95.0	0.9	91	2.2	1.8	2.3	7.5	636
YE3-315S-2	110	380	195	2980	95.2	0.9	92	2.8	1.8	2.3	7.5	950
YE3-315M-2	132	380	234	2980	95.4	0.9	92	2.8	1.8	2.3	7.5	1050
YE3-315L1-2	160	380	279	2980	95.6	0.91	92	2.8	1.8	2.3	7.5	1200
YE3-315L-2	185	380	323	2980	95.7	0.91	92	2.8	1.8	2.2	7.5	1245
YE3-315L2-2	200	380	349	2980	95.8	0.91	92	2.8	1.8	2.2	7.5	1270
YE3-355M1-2	220	380	383	2980	95.8	0.91	100	2.8	1.6	2.2	7.5	1544
YE3-355M2-2	250	380	436	2980	95.8	0.91	100	2.8	1.6	2.2	7.5	1650
YE3-355L1-2	280	380	488	2980	95.8	0.91	100	2.8	1.6	2.2	7.5	1770
YE3-355L2-2	315	380	549	2980	95.8	0.91	100	2.8	1.6	2.2	7.5	1860
YE3-3551-2	355	380	619	2988	95.8	0.91	104	2.8	0.9	1.8	8.6	1955
YE3-3552-2	375	380	661	2986	95.8	0.90	111	2.8	0.9	1.8	8.6	2000
YE3-3552-2	400	380	705	2986	95.8	0.90	111	2.8	0.9	1.8	8.6	2030
YE3-3553-2	450	380	793	2990	95.8	0.90	111	2.8	0.8	1.8	8.6	2150
YE3-4001-2	500	380	881	2985	95.8	0.90	111	2.8	0.8	1.8	8.6	2500
YE3-4002-2	560	380	976	2985	95.8	0.91	112	2.8	0.8	1.8	8.7	2600
YE3-4003-2	630	660	632	2985	95.8	0.91	112	2.8	0.8	1.8	8.7	2950
YE3-4501-2	710	660	712	2985	95.8	0.91	112	2.8	0.6	1.8	7.9	3200
YE3-4502-2	800	660	803	2985	95.8	0.91	112	2.8	0.6	1.8	7.9	3380
YE3-4503-2	900	660	903	2985	95.8	0.91	112	2.8	0.6	1.8	7.9	3520
YE3-80M1-4	0.55	380	1.38	1400	80.8	0.75	56	1.6	2.3	2.3	6.6	23
YE3-80M2-4	0.75	380	1.84	1400	82.5	0.75	56	1.6	2.3	2.3	6.6	23
YE3-90S-4	1.1	380	2.61	1425	84.1	0.76	59	1.6	2.3	2.3	6.8	25
YE3-90L-4	1.5	380	3.47	1425	85.3	0.77	59	1.6	2.3	2.3	7	30

表1(续) Table1(continued)

型号 Type	额定 功率 Rated Output (kW)	额定 电压 Rated Volt (V)	额定 电流 Rated Current (A)	额定 转速 Rated speed (rpm)	效率 Eff. (%)	功率 因数 P.F.	空载 噪声 Noise dB(A)	空载 振动 Vibration (mm/s)	堵转 转矩 额定 转矩 Tst/Tn	最大 转矩 额定 转矩 Tmax/Tn	堵转 电流 额定 电流 Ist/In	重量 Weight (kg)
YE3-100L1-4	2.2	380	4.76	1440	86.7	0.81	64	1.6	2.3	2.3	7.6	40
YE3-100L2-4	3	380	6.3	1450	87.7	0.82	64	1.6	2.3	2.3	7.6	45
YE3-112M-4	4	380	8.4	1450	88.6	0.82	65	1.6	2.2	2.3	7.8	67
YE3-132S-4	5.5	380	11.2	1455	89.6	0.83	71	1.6	2	2.3	7.9	82
YE3-132M-4	7.5	380	15	1455	90.4	0.84	71	1.6	2	2.3	7.5	101
YE3-160M-4	11	380	21.5	1465	91.4	0.85	73	2.2	2.2	2.3	7.7	135
YE3-160L-4	15	380	28.8	1465	92.1	0.86	73	2.2	2.2	2.3	7.8	165
YE3-180M-4	18.5	380	35.3	1470	92.6	0.86	76	2.2	2	2.3	7.8	196
YE3-180L-4	22	380	41.8	1475	93.0	0.86	76	2.2	2	2.3	7.8	230
YE3-200L-4	30	380	56.6	1475	93.6	0.86	76	2.2	2	2.3	7.3	310
YE3-225S-4	37	380	69.6	1480	93.9	0.86	78	2.2	2	2.3	7.4	340
YE3-225M-4	45	380	84.4	1480	94.2	0.86	78	2.2	2	2.3	7.4	380
YE3-250M-4	55	380	103	1480	94.6	0.86	79	2.2	2.2	2.3	7.4	457
YE3-280S-4	75	380	136	1485	95.0	0.88	80	2.2	2	2.3	6.9	600
YE3-280M-4	90	380	163	1485	95.2	0.88	80	2.2	2	2.3	6.9	680
YE3-315S-4	110	380	197	1485	95.4	0.89	88	2.8	2	2.2	7	960
YE3-315M-4	132	380	236	1485	95.6	0.89	88	2.8	2	2.2	7	1100
YE3-315L1-4	160	380	285	1485	95.8	0.89	88	2.8	2	2.2	7.1	1110
YE3-315L-4	185	380	325	1485	96.0	0.9	88	2.8	2	2.2	7.1	
YE3-315L2-4	200	380	352	1485	96.0	0.9	88	2.8	2	2.2	7.1	1220
YE3-355M1-4	220	380	387	1490	96.0	0.9	95	2.8	2	2.2	7.1	1490
YE3-355M2-4	250	380	440	1490	96.0	0.9	95	2.8	2	2.2	7.1	1650
YE3-355L1-4	280	380	492	1490	96.0	0.9	95	2.8	2	2.2	7.1	1710
YE3-355L2-4	315	380	554	1490	96.0	0.9	95	2.8	2	2.2	7.1	1820
YE3-3551-4	355	380	638	1490	96.0	0.88	102	2.8	0.9	1.8	8.4	1930
YE3-3552-4	375	380	674	1490	96.0	0.88	102	2.8	0.9	1.8	8.4	2010
YE3-3552-4	400	380	719	1490	96.0	0.88	102	2.8	0.9	1.8	8.4	2010
YE3-3553-4	450	380	809	1490	96.0	0.88	108	2.8	0.8	1.8	8.4	2150
YE3-4001-4	500	380	899	1493	96.0	0.88	108	2.8	0.8	1.8	8.4	2500
YE3-4002-4	560	380	996	1493	96.0	0.89	111	2.8	0.8	1.8	8.5	2600
YE3-4003-4	630	660	645	1493	96.0	0.89	111	2.8	0.8	1.8	8.5	2950
YE3-4501-4	710	660	727	1493	96.0	0.89	111	2.8	0.6	1.8	7.8	3200
YE3-4502-4	800	660	810	1493	96.0	0.90	111	2.8	0.6	1.8	7.9	3380
YE3-4503-4	900	660	911	1493	96.0	0.90	111	2.8	0.6	1.8	7.9	3520
YE3-90S-6	0.75	380	2.03	935	78.9	0.71	57	1.6	2	2.1	6	22
YE3-90L-6	1.1	380	2.83	940	81.0	0.73	57	1.6	2	2.1	6	26
YE3-100L-6	1.5	380	3.78	945	82.5	0.73	61	1.6	2	2.1	6.5	31
YE3-112M-6	2.2	380	5.4	950	84.3	0.74	65	1.6	2	2.1	6.6	57
YE3-132S-6	3.0	380	7.2	960	85.6	0.74	69	1.6	2	2.1	6.8	69
YE3-132M1-6	4.0	380	9.5	960	86.8	0.74	69	1.6	2	2.1	6.8	76
YE3-132M2-6	5.5	380	12.7	960	88.0	0.75	69	1.6	2	2.1	7	101
YE3-160M-6	7.5	380	16.2	970	89.1	0.79	73	2.2	2	2.1	7	129

表1(续) Table1(continued)

型号 Type	额定 功率 Rated Output (kW)	额定 电压 Rated Volt (V)	额定 电流 Rated Current (A)	额定 转速 Rated speed (rpm)	效率 Eff. (%)	功率 因数 P.F.	空载 噪声 Noise dB(A)	空载 振动 Vibration (mm/s)	堵转 转矩 额定 转矩 Tst/Tn	最大 转矩 额定 转矩 Tmax/Tn	堵转 电流 额定 电流 Ist/In	重量 Weight (kg)
YE3-160L-6	11	380	23.1	970	90.3	0.8	73	2.2	2	2.1	7.2	163
YE3-180L-6	15	380	30.9	975	91.2	0.81	73	2.2	2	2.1	7.3	202
YE3-200L1-6	18.5	380	37.8	975	91.7	0.81	73	2.2	2	2.1	7.3	258
YE3-200L2-6	22	380	44.8	975	92.2	0.81	73	2.2	2	2.1	7.4	280
YE3-225M-6	30	380	59.1	985	92.9	0.83	74	2.2	2	2.1	6.9	318
YE3-250M-6	37	380	71.7	985	93.3	0.84	76	2.2	2	2.1	7.1	436
YE3-280S-6	45	380	85.8	985	93.7	0.85	78	2.2	2	2	7.3	543
YE3-280M-6	55	380	103	985	94.1	0.86	78	2.2	2	2	7.3	653
YE3-315S-6	75	380	143	990	94.6	0.84	83	2.8	2	2	6.6	930
YE3-315M-6	90	380	170	990	94.9	0.85	83	2.8	2	2	6.7	1055
YE3-315L1-6	110	380	207	990	95.1	0.85	83	2.8	2	2	6.7	1142
YE3-315L2-6	132	380	244	990	95.4	0.86	83	2.8	2	2	6.8	1195
YE3-355M1-6	160	380	296	990	95.6	0.86	85	2.8	1.8	2	6.8	1540
YE3-355M-6	185	380	337	990	95.7	0.87	85	2.8	1.8	2	6.8	1780
YE3-355M2-6	200	380	365	990	95.8	0.87	85	2.8	1.8	2	6.8	1780
YE3-355L1-6	220	380	401	990	95.8	0.87	85	2.8	1.8	2	6.8	1860
YE3-355L2-6	250	380	456	990	95.8	0.87	85	2.8	1.8	2	6.8	1930
YE3-3551-6	280	380	542	993	95.8	0.82	91	2.8	0.9	1.8	7.8	2010
YE3-3552-6	315	380	609	993	95.8	0.82	91	2.8	0.9	1.8	7.8	2080
YE3-3553-6	355	380	687	993	95.8	0.82	105	2.8	0.9	1.8	7.8	2150
YE3-4001-6	375	380	717	995	95.8	0.83	105	2.8	0.9	1.8	7.8	2450
YE3-4001-6	400	380	764	995	95.8	0.83	105	2.8	0.9	1.8	7.9	2500
YE3-4002-6	450	380	860	995	95.8	0.83	105	2.8	0.8	1.8	7.9	2500
YE3-4003-6	500	660	550	995	95.8	0.83	105	2.8	0.8	1.8	7.9	2600
YE3-4501-6	560	660	609	995	95.8	0.84	108	2.8	0.8	1.8	8	2950
YE3-4502-6	630	660	685	995	95.8	0.84	108	2.8	0.8	1.8	8	3200
YE3-4503-6	710	660	772	995	95.8	0.84	108	2.8	0.6	1.8	7.3	3380
YE3-4504-6	800	660	870	995	95.8	0.84	108	2.8	0.6	1.8	7.3	3520
YE3-100L1-8	0.75	380	2.27	680	75.0	0.67	59	2.8	1.8	2.0	6.2	35
YE3-100L2-8	1.1	380	3.12	680	77.7	0.69	59	2.8	1.8	2.0	6.2	40
YE3-112M-8	1.5	380	4.09	690	79.7	0.70	61	2.8	1.8	2.0	6.7	50
YE3-132S-8	2.2	380	5.7	705	81.9	0.71	64	2.8	1.8	2.0	6.7	80
YE3-132M-8	3.0	380	7.5	705	83.5	0.73	64	2.8	1.8	2.0	6.9	90
YE3-160M1-8	4.0	380	9.8	720	84.8	0.73	68	2.8	1.9	2.0	6.9	120
YE3-160M2-8	5.5	380	13.1	720	86.2	0.74	68	2.8	1.9	2.0	6.9	130
YE3-160L-8	7.5	380	17.4	720	87.3	0.75	68	2.8	1.9	2.0	6.6	141
YE3-180L-8	11	380	25.2	730	88.6	0.75	70	2.8	2.0	2.0	6.6	205
YE3-200L-8	15	380	33.5	730	89.6	0.76	73	2.8	2.0	2.0	6.8	270
YE3-225S-8	18.5	380	41.0	730	90.1	0.76	73	2.8	1.9	2.0	6.8	400
YE3-225M-8	22	380	47.3	730	90.6	0.78	73	2.8	1.9	2.0	7.0	425
YE3-250M-8	30	380	63.2	740	91.3	0.79	75	2.8	1.9	2.0	6.7	480
YE3-280S-8	37	380	77.5	735	91.8	0.79	76	2.8	1.9	2.0	6.7	560

表1(续) Table1(continued)

型号 Type	额定 功率 Rated Output (kW)	额定 电压 Rated Volt (V)	额定 电流 Rated Current (A)	额定 转速 Rated speed (rpm)	效率 Eff. (%)	功率 因数 P.F.	空载 噪声 Noise dB(A)	空载 振动 Vibration (mm/s)	堵转 转矩 额定 转矩 Tst/Tn	最大 转矩 额定 转矩 Tmax/Tn	堵转 电流 额定 电流 Ist/In	重量 Weight (kg)
YE3-280M-8	45	380	93.9	735	92.2	0.79	76	2.8	1.9	2.0	6.7	630
YE3-315S-8	55	380	112	735	92.5	0.81	82	2.8	1.8	2.0	6.8	880
YE3-315M-8	75	380	151	735	93.1	0.81	82	2.8	1.8	2.0	6.3	1015
YE3-315L1-8	90	380	179	735	93.4	0.82	82	2.8	1.8	2.0	6.4	1105
YE3-315L2-8	110	380	218	735	93.7	0.82	82	2.8	1.8	2.0	6.4	1200
YE3-355M1-8	132	380	260	740	94.0	0.82	89	2.8	1.8	2.0	6.4	1620
YE3-355M2-8	160	380	314	740	94.3	0.82	89	2.8	1.8	2.0	6.4	1780
YE3-355L1-8	185	380	358	740	94.5	0.83	89	2.8	1.8	2.0	6.4	1860
YE3-355L2-8	200	380	387	740	94.6	0.83	89	2.8	1.8	2.0	6.4	1860
YE3-3551-8	220	380	442	743	94.6	0.8	97	2.8	1.1	1.8	7.5	2015
YE3-3552-8	250	380	502	743	94.6	0.8	99	2.8	1.1	1.8	7.5	2200
YE3-3553-8	280	380	562	743	94.6	0.8	99	2.8	0.9	1.8	7.5	2450
YE3-3553-8	315	380	632	743	94.6	0.8	99	2.8	0.9	1.8	7.5	2450
YE3-4001-8	355	380	713	745	94.6	0.8	99	2.8	0.9	1.8	7.5	2500
YE3-4002-8	375	380	753	745	94.6	0.8	99	2.8	0.9	1.8	7.5	2600
YE3-4002-8	400	660	462	745	94.6	0.8	99	2.8	0.9	1.8	7.5	2600
YE3-4501-8	450	660	514	746	94.6	0.81	99	2.8	0.8	1.8	7.6	2950
YE3-4502-8	500	660	571	746	94.6	0.81	99	2.8	0.8	1.8	7.6	3200
YE3-4503-8	560	660	639	746	94.6	0.81	101	2.8	0.8	1.8	7.6	3380
YE3-4504-8	630	660	719	746	94.6	0.81	101	2.8	0.8	1.8	7.6	3520
YE3-315S-10	45	380	99	590	92.0	0.75	82	2.8	1.5	2.0	6.2	890
YE3-315M-10	55	380	121	590	92.0	0.75	82	2.8	1.5	2.0	6.2	1025
YE3-315L1-10	75	380	162	590	92.8	0.76	82	2.8	1.5	2.0	5.8	1105
YE3-315L2-10	90	380	191	590	93.0	0.77	82	2.8	1.5	2.0	5.9	1195
YE3-355M1-10	110	380	230	590	93.3	0.78	90	2.8	1.3	2.0	6	1625
YE3-355M2-10	132	380	274	590	93.8	0.78	90	2.8	1.3	2.0	6.1	1780
YE3-355L-10	160	380	332	590	93.8	0.78	90	2.8	1.3	2.0	6.1	1865
YE3-3551-10	185	380	384	590	93.8	0.78	90	2.8	1.3	2.0	6.1	1865
YE3-3552-10	200	380	437	594	93.9	0.74	99	2.8	1.1	1.8	6.9	2020
YE3-3553-10	220	380	481	594	93.9	0.74	99	2.8	1.1	1.8	6.9	2120
YE3-3553-10	250	380	547	594	93.9	0.74	102	2.8	1.1	1.8	6.9	2200
YE3-4001-10	280	380	585	595	94.4	0.77	102	2.8	1.1	1.8	7	2450
YE3-4002-10	315	380	658	595	94.4	0.77	102	2.8	1.1	1.8	7	2500
YE3-4003-10	355	380	742	595	94.4	0.77	102	2.8	0.9	1.8	7	2600
YE3-4501-10	375	380	783	595	94.5	0.77	102	2.8	0.9	1.8	7	2950
YE3-4502-10	400	380	835	595	94.5	0.77	102	2.8	0.9	1.8	7	3200
YE3-4503-10	450	380	940	595	94.5	0.77	102	2.8	0.8	1.8	7	3380
YE3-4504-10	500	380	1043	595	94.6	0.77	102	2.8	0.8	1.8	7	3520

YE4 系列技术参数 (380V,50Hz,IC411)

表2 Table2

型号 Type	额定 功率 Rated Output (kW)	额定 电流 Rated Current (A)	额定 转速 Rated speed (rpm)	效率 Eff. (%)	功率 因数 P.F.	空载 噪声 Noise dB(A)	空载 振动 Vibration (mm/s)	堵转 转矩 额定 转矩 Tst/Tn	最大 转矩 额定 转矩 Tmax/Tn	堵转 电流 额定 电流 Ist/In	重量 Weight (kg)
YE4-80M1-2	0.75	1.64	2870	83.5	0.83	62	1.6	2.2	2.3	8.5	19
YE4-80M2-2	1.1	2.36	2870	85.2	0.83	62	1.6	2.2	2.3	8.5	20
YE4-90S-2	1.5	3.10	2900	86.5	0.85	67	1.6	2.2	2.3	9	25
YE4-90L-2	2.2	4.42	2900	88.0	0.86	67	1.6	2.2	2.3	9	35
YE4-100L-2	3	5.9	2900	89.1	0.87	74	1.6	2.2	2.3	9.5	45
YE4-112M-2	4	7.7	2910	90.0	0.88	77	1.6	2.2	2.3	9.5	50
YE4-132S1-2	5.5	10.4	2940	90.9	0.88	79	1.6	2	2.3	9.5	85
YE4-132S2-2	7.5	14.0	2940	91.7	0.89	79	1.6	2	2.3	9.5	95
YE4-160M1-2	11	20.3	2950	92.6	0.89	81	2.2	2	2.3	9.5	135
YE4-160M2-2	15	27.4	2950	93.3	0.89	81	2.2	2	2.3	9.5	150
YE4-160L-2	18.5	33.7	2950	93.7	0.89	81	2.2	2	2.3	9.5	170
YE4-180M-2	22	40.0	2960	94.0	0.89	83	2.2	2	2.3	9.5	245
YE4-200L1-2	30	54.2	2970	94.5	0.89	84	2.2	2	2.3	9	330
YE4-200L2-2	37	66.6	2970	94.8	0.89	84	2.2	2	2.3	9	345
YE4-225M-2	45	80.9	2970	95.0	0.89	86	2.2	2	2.3	9	440
YE4-250M-2	55	98.5	2975	95.3	0.89	89	2.2	2	2.3	9	550
YE4-280S-2	75	134	2980	95.6	0.89	91	2.2	1.8	2.3	8.5	685
YE4-280M-2	90	160	2980	95.8	0.89	91	2.2	1.8	2.3	8.5	735
YE4-315S-2	110	196	2980	96.0	0.89	92	2.8	1.8	2.3	8.5	1300
YE4-315M-2	132	234	2980	96.2	0.89	92	2.8	1.8	2.3	8.5	1370
YE4-315L1-2	160	284	2980	96.3	0.89	92	2.8	1.8	2.2	8.5	1465
YE4-315L-2	185	328	2980	96.4	0.89	92	2.8	1.8	2.2	8.5	1545
YE4-315L2-2	200	354	2980	96.5	0.89	92	2.8	1.8	2.2	8.5	1545
YE4-355M1-2	220	381	2985	96.5	0.91	97	2.8	1.6	2.2	8.5	1720
YE4-355M2-2	250	433	2985	96.5	0.91	97	2.8	1.6	2.2	8.5	1830
YE4-355L1-2	280	484	2985	96.5	0.91	97	2.8	1.6	2.2	8.5	1960
YE4-355L2-2	315	545	2985	96.5	0.91	97	2.8	1.6	2.2	8.5	2160
YE4-3551-2	355	621	2985	96.5	0.90	97	2.8	0.9	1.8	8.6	2280
YE4-3552-2	375	656	2985	96.5	0.90	97	2.8	0.9	1.8	8.6	2360
YE4-3552-2	400	700	2985	96.5	0.90	97	2.8	0.9	1.8	8.6	2360
YE4-3553-2	450	787	2985	96.5	0.90	97	2.8	0.8	1.8	8.6	2440
YE4-80M1-4	0.55	1.33	1435	83.9	0.75	56	1.6	2.3	2.3	8.5	20
YE4-80M2-4	0.75	1.80	1435	85.7	0.74	56	1.6	2.3	2.3	8.5	20
YE4-90S-4	1.1	2.56	1440	87.2	0.75	59	1.6	2.3	2.3	8.5	27
YE4-90L-4	1.5	3.40	1440	88.2	0.76	59	1.6	2.3	2.3	9	30
YE4-100L1-4	2.2	4.73	1460	89.5	0.79	64	1.6	2.3	2.3	9	43
YE4-100L2-4	3	6.3	1460	90.4	0.8	64	1.6	2.3	2.3	9.5	50
YE4-112M-4	4	8.3	1460	91.1	0.8	65	1.6	2.3	2.3	9.5	55
YE4-132S-4	5.5	11.4	1470	91.9	0.8	71	1.6	2	2.3	9.5	100

表2(续) Table2(continued)

型号 Type	额定 功率 Rated Output (kW)	额定 电流 Rated Current (A)	额定 转速 Rated speed (rpm)	效率 Eff. (%)	功率 因数 P.F.	空载 噪声 Noise dB(A)	空载 振动 Vibration (mm/s)	堵转 转矩 额定 转矩 Tst/Tn	最大 转矩 额定 转矩 Tmax/Tn	堵转 电流 额定 电流 Ist/In	重量 Weight (kg)
YE4-132M-4	7.5	15.2	1470	92.6	0.81	71	1.6	2	2.3	9.5	115
YE4-160M-4	11	21.6	1475	93.3	0.83	73	2.2	2	2.3	9.5	150
YE4-160L-4	15	28.9	1475	93.9	0.84	73	2.2	2	2.3	9.5	175
YE4-180M-4	18.5	35.1	1480	94.2	0.85	76	2.2	2	2.3	9.5	245
YE4-180L-4	22	41.6	1480	94.5	0.85	76	2.2	2	2.3	9.5	260
YE4-200L-4	30	56.5	1485	94.9	0.85	76	2.2	2	2.3	9	370
YE4-225S-4	37	69.5	1485	95.2	0.85	78	2.2	2	2.3	9	410
YE4-225M-4	45	84.3	1485	95.4	0.85	78	2.2	2	2.3	9	435
YE4-250M-4	55	102	1485	95.7	0.86	79	2.2	2	2.3	9	555
YE4-280S-4	75	136	1488	96.0	0.87	80	2.2	2	2.3	8.5	720
YE4-280M-4	90	162	1488	96.1	0.88	80	2.2	2	2.3	8.5	790
YE4-315S-4	110	195	1490	96.3	0.89	88	2.8	1.8	2.2	8.5	1320
YE4-315M-4	132	234	1490	96.4	0.89	88	2.8	1.8	2.2	8.5	1390
YE4-315L1-4	160	280	1490	96.6	0.9	88	2.8	1.8	2.2	8.5	1460
YE4-315L-4	185	323	1490	96.7	0.9	88	2.8	1.8	2.2	8.5	1520
YE4-315L2-4	200	349	1490	96.7	0.9	88	2.8	1.8	2.2	8.5	1545
YE4-355M1-4	220	384	1490	96.7	0.9	92	2.8	1.8	2.2	8.5	1750
YE4-355M2-4	250	436	1490	96.7	0.9	92	2.8	1.8	2.2	8.5	1840
YE4-355L1-4	280	489	1490	96.7	0.9	92	2.8	1.8	2.2	8.5	1930
YE4-355L2-4	315	550	1490	96.7	0.9	92	2.8	1.8	2.2	8.5	2280
YE4-3551-4	355	634	1490	96.7	0.88	92	2.8	0.9	1.8	8.5	2400
YE4-3552-4	375	670	1490	96.7	0.88	92	2.8	0.9	1.8	8.5	2440
YE4-3552-4	400	714	1490	96.7	0.88	92	2.8	0.9	1.8	8.5	2480
YE4-3553-4	450	803	1490	96.7	0.88	92	2.8	0.8	1.8	8.5	2560
YE4-90S-6	0.75	1.97	950	82.7	0.7	57	1.6	2.1	2.1	7.5	25
YE4-90L-6	1.1	2.83	950	84.5	0.7	57	1.6	2.1	2.1	7.5	30
YE4-100L-6	1.5	3.74	955	85.9	0.71	61	1.6	2.1	2.1	7.5	40
YE4-112M-6	2.2	5.4	960	87.4	0.71	65	1.6	2.1	2.1	7.5	46
YE4-132S-6	3	7.2	970	88.6	0.71	69	1.6	2	2.1	7.5	85
YE4-132M1-6	4	9.4	970	89.5	0.72	69	1.6	2	2.1	8	95
YE4-132M2-6	5.5	12.8	970	90.5	0.72	69	1.6	2	2.1	8	110
YE4-160M-6	7.5	16.4	975	91.3	0.76	73	2.2	2	2.1	8	150
YE4-160L-6	11	23.5	975	92.3	0.77	73	2.2	2	2.1	8.5	170
YE4-180L-6	15	30.7	980	92.9	0.8	73	2.2	2	2.1	8.5	205
YE4-200L1-6	18.5	37.6	985	93.4	0.8	73	2.2	2	2.1	8.5	310
YE4-200L2-6	22	44.0	985	93.7	0.81	73	2.2	2	2.1	8.5	330
YE4-225M-6	30	59.0	985	94.2	0.82	74	2.2	2	2.1	8.3	400
YE4-250M-6	37	71.7	985	94.5	0.83	76	2.2	2	2.1	8.3	480
YE4-280S-6	45	86.9	990	94.8	0.83	78	2.2	2	2	8.5	705

表2(续) Table2(continued)

型号 Type	额定 功率 Rated Output (kW)	额定 电流 Rated Current (A)	额定 转速 Rated speed (rpm)	效率 Eff. (%)	功率 因数 P.F.	空载 噪声 Noise dB(A)	空载 振动 Vibration (mm/s)	堵转 转矩 额定 转矩 Tst/Tn	最大 转矩 额定 转矩 Tmax/Tn	堵转 电流 额定 电流 Ist/In	重量 Weight (kg)
YE4-280M-6	55	105	990	95.1	0.84	78	2.2	2	2	8.5	765
YE4-315S-6	75	142	990	95.4	0.84	83	2.8	1.6	2	8	1265
YE4-315M-6	90	168	990	95.6	0.85	83	2.8	1.6	2	8	1335
YE4-315L1-6	110	205	990	95.8	0.85	83	2.8	1.6	2	8	1465
YE4-315L2-6	132	243	990	96.0	0.86	83	2.8	1.6	2	8	1525
YE4-355M1-6	160	294	990	96.2	0.86	85	2.8	1.6	2	8	1680
YE4-355M-6	185	339	990	96.3	0.86	85	2.8	1.6	2	8	1780
YE4-355M2-6	200	367	990	96.3	0.86	85	2.8	1.6	2	8	1810
YE4-355L1-6	220	403	990	96.4	0.86	85	2.8	1.6	2	8	1960
YE4-355L2-6	250	458	990	96.5	0.86	85	2.8	1.6	2	8	2250
YE4-3551-6	280	537	990	96.6	0.82	91	2.8	0.9	1.8	7.9	2440
YE4-3552-6	315	604	990	96.6	0.82	91	2.8	0.9	1.8	7.9	2490
YE4-3553-6	355	681	990	96.6	0.82	91	2.8	0.9	1.8	7.9	2550
YE4-100L1-8	0.75	2.20	700	78.4	0.66	59	1.6	2	2	7	45
YE4-100L2-8	1.1	3.09	700	80.8	0.67	59	1.6	2	2	7	47
YE4-112M-8	1.5	4.00	705	82.6	0.69	61	1.6	2	2	7	50
YE4-132S-8	2.2	5.7	715	84.5	0.7	64	1.6	1.8	2	7.5	65
YE4-132M-8	3	7.6	715	85.9	0.7	64	1.6	1.8	2	7.8	75
YE4-160M1-8	4	9.8	720	87.1	0.71	68	2.2	1.8	2	7.9	105
YE4-160M2-8	5.5	13.1	720	88.3	0.72	68	2.2	1.8	2	8.1	125
YE4-160L-8	7.5	17.2	720	89.3	0.74	68	2.2	1.8	2	7.8	135
YE4-180L-8	11	25.0	725	90.4	0.74	70	2.2	1.8	2	7.9	200
YE4-200L-8	15	33.3	730	91.2	0.75	73	2.2	1.8	2	8	240
YE4-225S-8	18.5	40.9	730	91.7	0.75	73	2.2	1.8	2	8.1	280
YE4-225M-8	22	47.8	730	92.1	0.76	73	2.2	1.8	2	8.3	310
YE4-250M-8	30	63.9	735	92.7	0.77	75	2.2	1.8	2	7.9	400
YE4-280S-8	37	77.4	735	93.1	0.78	76	2.2	1.8	2	7.9	530
YE4-280M-8	45	93.9	735	93.4	0.78	76	2.2	1.8	2	7.9	590
YE4-315S-8	55	111	740	93.7	0.8	82	2.8	1.6	2	8.2	790
YE4-315M-8	75	151	740	94.2	0.8	82	2.8	1.6	2	7.6	1100
YE4-315L1-8	90	179	740	94.4	0.81	82	2.8	1.6	2	7.7	1160
YE4-315L2-8	110	218	740	94.7	0.81	82	2.8	1.6	2	7.7	1260
YE4-355M1-8	132	261	743	94.9	0.81	89	2.8	1.6	2	7.7	1760
YE4-355M2-8	160	312	743	95.1	0.82	89	2.8	1.6	2	7.7	1850
YE4-355L1-8	185	360	743	95.3	0.82	89	2.8	1.6	2	7.8	1990
YE4-355L2-8	200	388	743	95.4	0.82	89	2.8	1.6	2	7.8	2380
YE4-3551-8	220	438	740	95.4	0.8	89	2.8	1.1	1.8	7.6	2430
YE4-3552-8	250	498	740	95.4	0.8	89	2.8	1.1	1.8	7.6	2500
YE4-3553-8	280	557	740	95.4	0.8	89	2.8	0.9	1.8	7.6	3100
YE4-3553-8	315	627	740	95.4	0.8	89	2.8	0.9	1.8	7.6	3100

YE5系列技术参数(380V,50Hz,IC411)

表3 Table3

型号 Type	额定 功率 Rated Output (kW)	额定 电流 Rated Current (A)	额定 转速 Rated speed (rpm)	效率 Eff. (%)	功率 因数 P.F.	空载 噪声 Noise dB(A)	空载 振动 Vibration (mm/s)	堵转 转矩 额定 转矩 Tst/Tn	最大 转矩 额定 转矩 Tmax/Tn	堵转 电流 额定 电流 Ist/In	重量 Weight (kg)
YE5-80M1-2	0.75	1.6	2895	86.3	0.82	62	1.6	2.2	2.3	8.5	50
YE5-80M2-2	1.1	2.3	2890	87.8	0.82	62	1.6	2.2	2.3	8.5	52
YE5-90S-2	1.5	3.1	2900	88.9	0.84	67	1.6	2.2	2.3	9	55
YE5-90L-2	2.2	4.3	2900	90.2	0.86	67	1.6	2.2	2.3	9	62
YE5-100L-2	3	5.8	2900	91.1	0.87	74	1.6	2.2	2.3	9.5	72
YE5-112M-2	4	7.6	2915	91.8	0.87	77	1.6	2.2	2.3	9.5	80
YE5-132S1-2	5.5	10.4	2945	92.6	0.87	79	1.6	2	2.3	9.5	75
YE5-132S2-2	7.5	13.9	2945	93.3	0.88	79	1.6	2	2.3	9.5	85
YE5-160M1-2	11	20.2	2955	94.0	0.88	81	2.3	2	2.3	9.5	130
YE5-160M2-2	15	27.4	2955	94.5	0.88	81	2.3	2	2.3	9.5	150
YE5-160L-2	18.5	33.7	2955	94.9	0.88	81	2.3	2	2.3	9.5	175
YE5-180M-2	22	39.9	2970	95.1	0.88	83	2.3	2	2.3	9.5	190
YE5-200L1-2	30	54.2	2970	95.5	0.88	84	2.3	2	2.3	9	280
YE5-200L2-2	37	66.7	2970	95.8	0.88	84	2.3	2	2.3	9	300
YE5-225M-2	45	80.9	2975	96.0	0.88	86	2.3	2	2.3	9	375
YE5-250M-2	55	97.6	2985	96.2	0.89	89	2.3	2	2.3	9	430
YE5-280S-2	75	133	2980	96.5	0.89	91	2.3	1.8	2.3	8.5	635
YE5-280M-2	90	159	2980	96.6	0.89	91	2.3	1.8	2.3	8.5	685
YE5-315S-2	110	194	2985	96.8	0.89	92	2.3	1.8	2.3	8.5	980
YE5-315M-2	132	233	2985	96.9	0.89	92	2.3	1.8	2.3	8.5	1110
YE5-315L1-2	160	282	2985	97.0	0.89	92	2.3	1.8	2.2	8.5	1250
YE5-315L-2	185	325	2985	97.1	0.89	92	2.3	1.8	2.2	8.5	1310
YE5-315L2-2	200	351	2985	97.2	0.89	92	2.3	1.8	2.2	8.5	1340
YE5-355M1-2	220	382	2985	97.2	0.9	97	2.3	1.6	2.2	8.5	1500
YE5-355M2-2	250	434	2985	97.2	0.9	97	2.3	1.6	2.2	8.5	1850
YE5-355L1-2	280	486	2985	97.2	0.9	97	2.3	1.6	2.2	8.5	2050
YE5-355L2-2	315	547	2985	97.2	0.9	97	2.3	1.6	2.2	8.5	2130
YE5-80M2-4	0.75	1.8	1435	88.2	0.73	56	1.6	2.3	2.3	8.5	51
YE5-90S-4	1.1	2.5	1445	89.5	0.74	59	1.6	2.3	2.3	8.5	59
YE5-90L-4	1.5	3.4	1445	90.4	0.75	59	1.6	2.3	2.3	9	63
YE5-100L1-4	2.2	4.7	1460	91.4	0.78	64	1.6	2.3	2.3	9	70
YE5-100L2-4	3	6.3	1460	92.1	0.79	64	1.6	2.3	2.3	9.5	75
YE5-112M-4	4	8.3	1460	92.8	0.79	65	1.6	2.3	2.3	9.5	85
YE5-132S-4	5.5	11.3	1475	93.4	0.79	71	1.6	2	2.3	9.5	80
YE5-132M-4	7.5	15.2	1475	94.0	0.8	71	1.6	2	2.3	9.5	95
YE5-160M-4	11	21.5	1475	94.6	0.82	73	2.3	2	2.3	9.5	145
YE5-160L-4	15	28.9	1475	95.1	0.83	73	2.3	2	2.3	9.5	170
YE5-180M-4	18.5	35.1	1480	95.3	0.84	76	2.3	2	2.3	9.5	210
YE5-180L-4	22	41.7	1480	95.5	0.84	76	2.3	2	2.3	9.5	235

表3(续) Table3(continued)

型号 Type	额定 功率 Rated Output (kW)	额定 电流 Rated Current (A)	额定 转速 Rated speed (rpm)	效率 Eff. (%)	功率 因数 P.F.	空载 噪声 Noise dB(A)	空载 振动 Vibration (mm/s)	堵转 转矩 额定 转矩 Tst/Tn	最大 转矩 额定 转矩 Tmax/Tn	堵转 电流 额定 电流 Ist/In	重量 Weight (kg)
YE5-200L-4	30	56.6	1485	95.9	0.84	76	2.3	2	2.3	9	300
YE5-225S-4	37	69.6	1485	96.1	0.84	78	2.3	2	2.3	9	360
YE5-225M-4	45	84.5	1485	96.3	0.84	78	2.3	2	2.3	9	435
YE5-250M-4	55	101.9	1485	96.5	0.85	79	2.3	2	2.3	9	460
YE5-280S-4	75	137	1490	96.7	0.86	80	2.3	2	2.3	8.5	610
YE5-280M-4	90	162	1490	96.9	0.87	80	2.3	2	2.3	8.5	690
YE5-315S-4	110	196	1490	97.0	0.88	88	2.3	1.8	2.2	8.5	1020
YE5-315M-4	132	235	1490	97.1	0.88	88	2.3	1.8	2.2	8.5	1200
YE5-315L1-4	160	281	1490	97.2	0.89	88	2.3	1.8	2.2	8.5	1210
YE5-315L-4	185	325	1490	97.3	0.89	88	2.3	1.8	2.2	8.5	1330
YE5-315L2-4	200	351	1490	97.4	0.89	88	2.3	1.8	2.2	8.5	1330
YE5-355M1-4	220	386	1490	97.4	0.89	92	2.3	1.8	2.2	8.5	1400
YE5-355M2-4	250	438	1490	97.4	0.89	92	2.3	1.8	2.2	8.5	1560
YE5-355L1-4	280	491	1490	97.4	0.89	92	2.3	1.8	2.2	8.5	1760
YE5-355L2-4	315	552	1490	97.4	0.89	92	2.3	1.8	2.2	8.5	1840
YE5-90S-6	0.75	1.9	960	85.7	0.69	57	1.6	2.1	2.1	7.5	59
YE5-90L-6	1.1	2.8	960	87.2	0.69	57	1.6	2.1	2.1	7.5	72
YE5-100L-6	1.5	3.7	965	88.4	0.7	61	1.6	2.1	2.1	7.5	78
YE5-112M-6	2.2	5.3	970	89.7	0.7	65	1.6	2.1	2.1	7.5	106
YE5-132S-6	3	7.2	975	90.6	0.7	69	1.6	2	2.1	7.5	80
YE5-132M1-6	4	9.4	975	91.4	0.71	69	1.6	2	2.1	8	90
YE5-132M2-6	5.5	12.8	975	92.2	0.71	69	1.6	2	2.1	8	100
YE5-160M-6	7.5	16.4	980	92.9	0.75	73	2.3	2	2.1	8	145
YE5-160L-6	11	23.5	980	93.7	0.76	73	2.3	2	2.1	8.5	180
YE5-180L-6	15	30.6	985	94.3	0.79	73	2.3	2	2.1	8.5	230
YE5-200L1-6	18.5	37.6	985	94.6	0.79	73	2.3	2	2.1	8.5	260
YE5-200L2-6	22	44.0	985	94.9	0.8	73	2.3	2	2.1	8.5	290
YE5-225M-6	30	59.0	985	95.3	0.81	74	2.3	2	2.1	8.3	375
YE5-250M-6	37	71.7	990	95.6	0.82	76	2.3	2	2.1	8.3	435
YE5-280S-6	45	87.0	990	95.8	0.82	78	2.3	2	2	8.5	555
YE5-280M-6	55	105	990	96.0	0.83	78	2.3	2	2	8.5	615
YE5-315S-6	75	143	990	96.3	0.83	83	2.3	1.6	2	8	1000
YE5-315M-6	90	169	990	96.5	0.84	83	2.3	1.6	2	8	1140
YE5-315L1-6	110	206	990	96.6	0.84	83	2.3	1.6	2	8	1260
YE5-315L2-6	132	244	990	96.8	0.85	83	2.3	1.6	2	8	1370
YE5-355M1-6	160	295	990	96.9	0.85	85	2.3	1.6	2	8	1600
YE5-355M-6	185	341	991	97.0	0.85	85	2.3	1.6	2	8	1680
YE5-355M2-6	200	369	992	97.0	0.85	85	2.3	1.6	2	8	1750
YE5-355L1-6	220	405	993	97.0	0.85	85	2.3	1.6	2	8	1810

表3(续) Table3(continued)

型号 Type	额定 功率 Rated Output (kW)	额定 电流 Rated Current (A)	额定 转速 Rated speed (rpm)	效率 Eff. (%)	功率 因数 P.F.	空载 噪声 Noise dB(A)	空载 振动 Vibration (mm/s)	堵转 转矩 额定 转矩 Tst/Tn	最大 转矩 额定 转矩 Tmax/Tn	堵转 电流 额定 电流 Ist/In	重量 Weight (kg)
YE5-355L2-6	250	461	994	97.0	0.85	85	2.3	1.6	2	8	1850
YE5-100L1-8	0.75	2.1	705	82.0	0.65	59	1.6	2	2	7	53
YE5-100L2-8	1.1	3.0	705	84.0	0.66	59	1.6	2	2	7	54
YE5-112M-8	1.5	3.9	710	85.5	0.68	61	1.6	1.8	2	7	66
YE5-132S-8	2.2	5.6	725	87.2	0.69	64	1.6	1.8	2	7.5	80
YE5-132M-8	3	7.5	725	88.4	0.69	64	1.6	1.8	2	7.8	100
YE5-160M1-8	4	9.7	725	89.4	0.7	68	2.3	1.8	2	7.9	140
YE5-160M2-8	5.5	13.0	725	90.4	0.71	68	2.3	1.8	2	8.1	150
YE5-160L-8	7.5	17.1	725	91.3	0.73	68	2.3	1.8	2	7.8	185
YE5-180L-8	11	24.8	735	92.2	0.73	70	2.3	1.8	2	7.9	215
YE5-200L-8	15	33.2	735	92.9	0.74	73	2.3	1.8	2	8	295
YE5-225S-8	18.5	40.7	740	93.3	0.74	73	2.3	1.8	2	8.1	325
YE5-225M-8	22	47.6	740	93.6	0.75	73	2.3	1.8	2	8.3	345
YE5-250M-8	30	63.7	740	94.1	0.76	75	2.3	1.8	2	7.9	475
YE5-280S-8	37	77.3	740	94.4	0.77	76	2.3	1.8	2	7.9	550
YE5-280M-8	45	93.8	740	94.7	0.77	76	2.3	1.8	2	7.9	685
YE5-315S-8	55	111	740	94.9	0.79	82	2.3	1.6	2	8.2	1120
YE5-315M-8	75	151	740	95.3	0.79	82	2.3	1.6	2	7.6	1250
YE5-315L1-8	90	179	740	95.5	0.8	82	2.3	1.6	2	7.7	1320
YE5-315L2-8	110	216	740	95.7	0.81	82	2.3	1.6	2	7.7	1400
YE5-355M1-8	132	258	740	95.9	0.81	89	2.3	1.6	2	7.7	2420
YE5-355M2-8	160	312	740	96.1	0.81	89	2.3	1.6	2	7.7	2600
YE5-355L1-8	185	361	741	96.2	0.81	89	2.3	1.6	2	7.8	2650
YE5-355L2-8	200	390	740	96.3	0.81	89	2.3	1.6	2	7.8	2800

BPY系列技术参数(380/660V,50Hz,IC416)

表4 Table4

型号 Type	额定 功率 Rated Output (kW)	额定 电流 Rated Current (A) 380V	额定 电流 Rated Current (A) 660V	额定 转矩 (N.m)	额定 转速 Rated speed (rpm)	效率 Eff. (%)	功率 因数 P.F.	堵转 转矩 额定 转矩 Tst/Tn	最大 转矩 额定 转矩 Tmax/Tn	恒转 矩调 频范围 (Hz)	恒功 率调 频范围 (Hz)	重量 (kg)	冷却风机		
													功率 (W)	电压 (V)	电流 (A)
BPY-80M1-2	0.75	1.90		2.4	2845	72.1	0.83	2.2	2.8	5-50	50-60	15	35	380	0.07
BPY-80M2-2	1.1	2.68		3.5	2845	75.0	0.83	2.2	2.8	5-50	50-60	16	35	380	0.07
BPY-90S-2	1.5	3.51		4.8	2840	77.2	0.84	2.2	2.8	5-50	50-60	20	50	380	0.07
BPY-90L-2	2.2	4.93		7.0	2840	79.7	0.85	2.2	2.8	5-50	50-60	24	50	380	0.07
BPY-100L-2	3	6.4		9.6	2860	81.5	0.87	2.2	2.8	5-50	50-60	32	60	380	0.14
BPY-112M-2	4	8.3		12.7	2880	83.1	0.88	2.2	2.8	5-50	50-60	40	65	380	0.21
BPY-132S1-2	5.5	11.2		17.5	2900	84.7	0.88	2.2	2.8	5-50	50-60	59	55	380	0.21
BPY-132S2-2	7.5	14.9		23.9	2900	86.0	0.89	2.2	2.8	5-50	50-60	61	55	380	0.21
BPY-160M1-2	11	21.4		35.0	2930	87.6	0.89	2.2	2.8	5-50	50-60	99	90	380	0.21
BPY-160M2-2	15	28.9		47.8	2930	88.7	0.89	2.2	2.8	5-50	50-60	109	90	380	0.21
BPY-160L-2	18.5	35.4		58.9	2930	89.3	0.89	2.2	2.8	5-50	50-60	128	90	380	0.21
BPY-180M-2	22	41.8		70.0	2940	89.9	0.89	2.2	2.8	5-50	50-60	164	100	380	0.23
BPY-200L1-2	30	56.5		95.5	2950	90.7	0.89	2.2	2.8	5-50	50-60	215	150	380	0.31
BPY-200L2-2	37	69.3		117.8	2950	91.2	0.89	2.2	2.8	5-50	50-60	240	150	380	0.31
BPY-225M-2	45	83.8		143.3	2960	91.7	0.89	2.2	2.8	5-50	50-60	276	200	380	0.32
BPY-250M-2	55	102		175.1	2965	92.1	0.89	2.2	2.8	5-50	50-60	390	250	380	0.57
BPY-280S-2	75	138		238.8	2970	92.7	0.89	1.7	2.8	5-50	50-60	470	370	380	0.7
BPY-280M-2	90	165		286.5	2970	93.0	0.89	1.7	2.8	5-50	50-60	589	370	380	0.7
BPY-315S-2	110	199		350.2	2975	93.3	0.9	1.7	2.8	5-50	50-60	905	450	380	1.3
BPY-315M-2	132	238		420.2	2975	93.5	0.9	1.7	2.8	5-50	50-60	1030	450	380	1.3
BPY-315L1-2	160	285		509.3	2975	93.8	0.91	1.7	2.8	5-50	50-60	1060	450	380	1.3
BPY-315L-2	185	329		588.9	2975	93.9	0.91	1.7	2.8	5-50	50-60	1065	450	380	1.3
BPY-315L2-2	200	355		636.7	2975	94.0	0.91	1.7	2.8	5-50	50-60	1070	450	380	1.3
BPY-355M1-2	220	391		700.3	2980	94.0	0.91	1.7	2.8	5-50	50-60	1550	600	380	1.5
BPY-355M2-2	250	444		795.8	2980	94.0	0.91	1.7	2.8	5-50	50-60	1590	600	380	1.5
BPY-355L1-2	280	497		891.3	2980	94.0	0.91	1.7	2.8	5-50	50-60	1680	600	380	1.5
BPY-355L2-2	315	560		1002.8	2980	94.0	0.91	1.7	2.8	5-50	50-60	1720	600	380	1.5
BPY-3551-2	355	631		1130.1	2980	94.0	0.91	1.5	2.5	25-50	50-60	2200	1500	380	3.7
BPY-3552-2	375	666		1193.8	2980	94.0	0.91	1.5	2.5	25-50	50-60	2600	1500	380	3.7
BPY-3552-2	400	710		1273.3	2980	94.0	0.91	1.5	2.5	25-50	50-60	2600	1500	380	3.7
BPY-3553-2	450	799		1432.5	2980	94.0	0.91	1.5	2.5	25-50	50-60	2650	1500	380	3.7
BPY-4001-2	500	888		1591.7	2980	94.0	0.91	1.5	2.5	25-50	50-60	2850	1500	380	3.7
BPY-4002-2	560	995		1782.7	2980	94.0	0.91	1.5	2.5	25-50	50-60	3020	1500	380	3.7
BPY-4501-2	630		644	2005.5	2980	94.0	0.91	1.5	2.5	25-50	50-60	3510	2200	380	5.1
BPY-4502-2	710		726	2260.2	2980	94.0	0.91	1.5	2.5	25-50	50-60	3730	2200	380	5.1
BPY-4503-2	800		818	2546.7	2980	94.0	0.91	1.5	2.5	25-50	50-60	3850	2200	380	5.1
BPY-80M1-4	0.55	1.61		3.5	1390	69.4	0.75	2.0	2.8	5-50	50-100	15	35	380	0.07
BPY-80M2-4	0.75	2.08		4.8	1390	72.1	0.76	2.0	2.8	5-50	50-100	16	35	380	0.07

表4(续) Table4(continued)

型号 Type	额定 功率 Rated Output (kW)	额定 电流 Rated Current (A) 380V	额定 电流 Rated Current (A) 660V	额定 转矩 (N.m)	额定 转速 Rated speed (rpm)	效率 Eff. (%)	功率 因数 P.F.	堵转 转矩 额定 转矩 Tst/Tn	最大 转矩 额定 转矩 Tmax/Tn	恒转 矩调 频范围 (Hz)	恒功 率调 频范围 (Hz)	重量 (kg)	冷却风机		
													功率 (W)	电压 (V)	电流 (A)
BPY-90S-4	1.1	2.89		7.0	1390	75.0	0.77	2.0	2.8	5-50	50-100	25	50	380	0.07
BPY-90L-4	1.5	3.78		9.6	1390	77.2	0.78	2.0	2.8	5-50	50-100	29	50	380	0.07
BPY-100L1-4	2.2	5.2		14.0	1410	79.7	0.8	2.0	2.8	5-50	50-100	31	60	380	0.14
BPY-100L2-4	3	6.9		19.1	1410	81.5	0.81	2.0	2.8	5-50	50-100	33	60	380	0.14
BPY-112M-4	4	9.0		25.5	1440	83.1	0.81	2.0	2.8	5-50	50-100	45	65	380	0.21
BPY-132S-4	5.5	12.0		35.0	1440	84.7	0.82	2.0	2.8	5-50	50-100	59	55	380	0.21
BPY-132M-4	7.5	16.0		47.8	1440	86.0	0.83	2.0	2.8	5-50	50-100	65	55	380	0.21
BPY-160M-4	11	23.0		70.0	1460	87.6	0.83	2.0	2.8	5-50	50-100	107	90	380	0.21
BPY-160L-4	15	30.6		95.5	1460	88.7	0.84	2.0	2.8	5-50	50-100	126	90	380	0.21
BPY-180M-4	18.5	37.0		117.8	1470	89.3	0.85	2.0	2.8	5-50	50-100	165	100	380	0.23
BPY-180L-4	22	43.7		140.1	1470	89.9	0.85	2.0	2.8	5-50	50-100	187	100	380	0.23
BPY-200L-4	30	59.1		191.0	1470	90.7	0.85	2.0	2.8	5-50	50-100	239	150	380	0.31
BPY-225S-4	37	71.7		235.6	1475	91.2	0.86	2.0	2.8	5-50	50-100	275	200	380	0.32
BPY-225M-4	45	86.7		286.5	1475	91.7	0.86	2.0	2.8	5-50	50-100	283	200	380	0.32
BPY-250M-4	55	106		350.2	1480	92.1	0.86	2.0	2.8	5-50	50-100	400	250	380	0.57
BPY-280S-4	75	141		477.5	1480	92.7	0.87	1.7	2.8	5-50	50-100	515	370	380	0.7
BPY-280M-4	90	167		573.0	1480	93.0	0.88	1.7	2.8	5-50	50-100	625	370	380	0.7
BPY-315S-4	110	201		700.3	1480	93.3	0.89	1.7	2.8	5-50	50-100	895	450	380	1.3
BPY-315M-4	132	241		840.4	1480	93.5	0.89	1.7	2.8	5-50	50-100	1070	450	380	1.3
BPY-315L1-4	160	288		1018.7	1480	93.8	0.9	1.7	2.8	5-50	50-100	1085	450	380	1.3
BPY-315L-4	185	333		1177.8	1480	93.9	0.9	1.7	2.8	5-50	50-100	1150	450	380	1.3
BPY-315L2-4	200	359		1273.3	1480	94.0	0.9	1.7	2.8	5-50	50-100	1220	450	380	1.3
BPY-355M1-4	220	395		1400.7	1490	94.0	0.9	1.7	2.8	5-50	50-75	1510	600	380	1.5
BPY-355M2-4	250	449		1591.7	1490	94.0	0.9	1.7	2.8	5-50	50-75	1580	600	380	1.5
BPY-355L1-4	280	503		1782.7	1490	94.0	0.9	1.7	2.8	5-50	50-75	1670	600	380	1.5
BPY-355L2-4	315	566		2005.5	1490	94.0	0.9	1.7	2.8	5-50	50-75	1810	600	380	1.5
BPY-3551-4	355	638		2260.2	1490	94.0	0.9	1.5	2.5	25-50	50-75	2650	1500	380	3.7
BPY-3552-4	375	673		2387.5	1490	94.0	0.9	1.5	2.5	25-50	50-75	2740	1500	380	3.7
BPY-3552-4	400	718		2546.7	1490	94.0	0.9	1.5	2.5	25-50	50-75	2740	1500	380	3.7
BPY-3553-4	450	808		2865.0	1490	94.0	0.9	1.5	2.5	25-50	50-75	2820	1500	380	3.7
BPY-4001-4	500	898		3183.3	1490	94.0	0.9	1.5	2.5	25-50	50-75	2900	1500	380	3.7
BPY-4002-4	560	1006		3565.3	1490	94.0	0.9	1.5	2.5	25-50	50-75	3060	1500	380	3.7
BPY-4003-4	630		651	4011.0	1490	94.0	0.9	1.5	2.5	25-50	50-75	3565	1500	380	3.7
BPY-4501-4	710		734	4520.3	1490	94.0	0.9	1.5	2.5	25-50	50-75	4400	2200	380	5.1
BPY-4502-4	800		827	5093.3	1490	94.0	0.9	1.5	2.5	25-50	50-75	4950	2200	380	5.1
BPY-4503-4	900		931	5730.0	1490	94.0	0.9	1.5	2.5	25-50	50-75	5320	2200	380	5.1
BPY-90S-6	0.75	2.26		7.2	910	70.0	0.72	1.9	2.8	5-50	50-100	25	50	380	0.07
BPY-90L-6	1.1	3.18		10.5	910	72.9	0.72	1.9	2.8	5-50	50-100	29	50	380	0.07

表4(续) Table4(continued)

型号 Type	额定 功率 Rated Output (kW)	额定 电流 Rated Current (A) 380V	额定 电流 Rated Current (A) 660V	额定 转矩 (N.m)	额定 转速 Rated speed (rpm)	效率 Eff. (%)	功率 因数 P.F.	堵转 转矩 额定 转矩 Tst/Tn	最大 转矩 额定 转矩 Tmax/Tn	恒转 矩调 频范围 (Hz)	恒功 率调 频范围 (Hz)	重量 (kg)	冷却风机		
													功率 (W)	电压 (V)	电流 (A)
BPY-100L-6	1.5	4.21		14.3	920	75.2	0.72	1.9	2.8	5-50	50-100	31	60	380	0.14
BPY-112M-6	2.2	6.0		21.0	935	77.7	0.72	1.9	2.8	5-50	50-100	45	65	380	0.21
BPY-132S-6	3	7.9		28.7	960	79.7	0.72	1.9	2.8	5-50	50-100	55	55	380	0.21
BPY-132M1-6	4	10.1		38.2	960	81.4	0.74	1.9	2.8	5-50	50-100	65	55	380	0.21
BPY-132M2-6	5.5	13.4		52.5	965	83.1	0.75	1.9	2.8	5-50	50-100	76	55	380	0.21
BPY-160M-6	7.5	17.2		71.6	970	84.7	0.78	1.9	2.8	5-50	50-100	101	90	380	0.21
BPY-160L-6	11	24.5		105.1	970	86.4	0.79	1.9	2.8	5-50	50-100	123	90	380	0.21
BPY-180L-6	15	31.7		143.3	970	87.7	0.82	1.9	2.8	5-50	50-100	170	100	380	0.23
BPY-200L1-6	18.5	39.7		176.7	980	88.6	0.8	1.9	2.8	5-50	50-100	215	150	380	0.31
BPY-200L2-6	22	46.3		210.1	980	89.2	0.81	1.9	2.8	5-50	50-100	227	150	380	0.31
BPY-225M-6	30	61.6		286.5	980	90.2	0.82	1.9	2.8	5-50	50-100	283	200	380	0.32
BPY-250M-6	37	74.6		353.4	980	90.8	0.83	1.9	2.8	5-50	50-100	376	250	380	0.57
BPY-280S-6	45	88.0		429.8	980	91.4	0.85	1.9	2.8	5-50	50-100	468	370	380	0.7
BPY-280M-6	55	106		525.3	980	91.9	0.86	1.9	2.8	5-50	50-100	535	370	380	0.7
BPY-315S-6	75	147		716.3	985	92.6	0.84	1.6	2.8	5-50	50-100	850	450	380	1.3
BPY-315M-6	90	173		859.5	985	92.9	0.85	1.6	2.8	5-50	50-100	980	450	380	1.3
BPY-315L1-6	110	211		1050.5	985	93.3	0.85	1.6	2.8	5-50	50-100	1040	450	380	1.3
BPY-315L2-6	132	249		1260.6	985	93.5	0.86	1.6	2.8	5-50	50-100	1090	450	380	1.3
BPY-355M1-6	160	301		1528.0	990	93.8	0.86	1.6	2.8	5-50	50-100	1490	600	380	1.5
BPY-355M-6	185	348		1766.8	990	93.8	0.86	1.6	2.8	5-50	50-100	1520	600	380	1.5
BPY-355M2-6	200	376		1910.0	990	93.9	0.86	1.6	2.8	5-50	50-100	1630	600	380	1.5
BPY-355L1-6	220	413		2101.0	990	94.0	0.86	1.6	2.8	5-50	50-100	1680	600	380	1.5
BPY-355L2-6	250	470		2387.5	990	94.0	0.86	1.6	2.8	5-50	50-100	1800	600	380	1.5
BPY-355L4-6	280	526		2674.0	990	94.0	0.86	1.6	2.8	5-50	50-100	1950	600	380	1.5
BPY-3552-6	315	592		3008.3	990	94.0	0.86	1.4	2.5	25-50	50-100	2780	1500	380	3.7
BPY-3553-6	355	667		3390.3	990	94.0	0.86	1.4	2.5	25-50	50-100	2960	1500	380	3.7
BPY-4001-6	375	705		3581.3	990	94.0	0.86	1.4	2.5	25-50	50-100	3200	1500	380	3.7
BPY-4001-6	400	752		3820.0	990	94.0	0.86	1.4	2.5	25-50	50-100	3200	1500	380	3.7
BPY-4002-6	450	846		4297.5	990	94.0	0.86	1.4	2.5	25-50	50-100	3520	1500	380	3.7
BPY-4003-6	500	940		4775.0	990	94.0	0.86	1.4	2.5	25-50	50-100	4280	1500	380	3.7
BPY-4501-6	560		606	5348.0	990	94.0	0.86	1.4	2.5	25-50	50-100	4660	2200	380	5.1
BPY-4502-6	630		682	6016.5	990	94.0	0.86	1.4	2.5	25-50	50-100	4970	2200	380	5.1
BPY-4503-6	710		768	6780.5	990	94.0	0.86	1.4	2.5	25-50	50-100	5080	2200	380	5.1
BPY-100L1-8	0.75	2.78		9.6	700	61.2	0.67	1.8	2.5	5-50	50-100	38	60	380	0.14
BPY-100L2-8	1.1	3.64		14.0	700	66.5	0.69	1.8	2.5	5-50	50-100	42	60	380	0.14
BPY-112M-8	1.5	4.64		19.1	700	70.2	0.70	1.8	2.5	5-50	50-100	48	65	380	0.21
BPY-132S-8	2.2	6.3		28.0	705	74.2	0.71	1.8	2.5	5-50	50-100	53	55	380	0.21
BPY-132M-8	3	8.1		38.2	705	77.0	0.73	1.8	2.5	5-50	50-100	64	55	380	0.21

表4(续) Table4(continued)

型号 Type	额定 功率 Rated Output (kW)	额定 电流 Rated Current (A) 380V	额定 电流 Rated Current (A) 660V	额定 转矩 (N.m)	额定 转速 Rated speed (rpm)	效率 Eff. (%)	功率 因数 P.F.	堵转 转矩 额定 转矩 T _{st} /T _n	最大 转矩 额定 转矩 T _{max} /T _n	恒转 矩调 频范围 (Hz)	恒功 率调 频范围 (Hz)	重量 (kg)	冷却风机		
													功率 (W)	电压 (V)	电流 (A)
BPY-160M1-8	4	10.5		50.9	720	79.2	0.73	1.8	2.5	5-50	50-100	88	90	380	0.21
BPY-160M2-8	5.5	13.9		70.0	720	81.4	0.74	1.8	2.5	5-50	50-100	90	90	380	0.21
BPY-160L-8	7.5	18.3		95.5	720	83.1	0.75	1.8	2.5	5-50	50-100	119	90	380	0.21
BPY-180L-8	11	26.2		140.1	730	85.0	0.75	1.8	2.5	5-50	50-100	163	100	380	0.23
BPY-200L-8	15	34.8		191.0	730	86.2	0.76	1.8	2.5	5-50	50-100	215	150	380	0.31
BPY-225S-8	18.5	42.6		235.6	730	86.9	0.76	1.8	2.5	5-50	50-100	265	200	380	0.32
BPY-225M-8	22	49.0		280.1	730	87.4	0.78	1.8	2.5	5-50	50-100	292	200	380	0.32
BPY-250M-8	30	65.3		382.0	735	88.3	0.79	1.8	2.5	5-50	50-100	355	250	380	0.57
BPY-280S-8	37	80.1		471.1	735	88.8	0.79	1.8	2.5	5-50	50-100	485	370	380	0.7
BPY-280M-8	45	97.0		573.0	735	89.2	0.79	1.8	2.5	5-50	50-100	540	370	380	0.7
BPY-315S-8	55	115		700.3	735	89.7	0.81	1.8	2.5	5-50	50-100	830	450	380	1.3
BPY-315M-8	75	156		955.0	735	90.3	0.81	1.6	2.5	5-50	50-100	950	450	380	1.3
BPY-315L1-8	90	184		1146.0	735	90.7	0.82	1.6	2.5	5-50	50-100	980	450	380	1.3
BPY-315L2-8	110	224		1400.7	735	91.1	0.82	1.6	2.5	5-50	50-100	1040	450	380	1.3
BPY-355M1-8	132	267		1680.8	740	91.5	0.82	1.6	2.5	5-50	50-100	1550	600	380	1.5
BPY-355M2-8	160	323		2037.3	740	91.9	0.82	1.6	2.5	5-50	50-100	1630	600	380	1.5
BPY-355L2-8	185	371		2355.7	740	92.3	0.82	1.6	2.5	5-50	50-100	1720	600	380	1.5
BPY-355L3-8	200	396		2546.7	740	92.5	0.83	1.6	2.5	5-50	50-100	1800	600	380	1.5
BPY-3551-8	220	435		2801.3	740	92.5	0.83	1.6	2.5	25-50	50-100	2500	1500	380	3.7
BPY-3552-8	250	495		3183.3	740	92.5	0.83	1.6	2.5	25-50	50-100	2850	1500	380	3.7
BPY-3553-8	280	554		3565.3	740	92.5	0.83	1.6	2.5	25-50	50-100	3180	1500	380	3.7
BPY-3553-8	315	623		4011.0	740	92.5	0.83	1.6	2.5	25-50	50-100	3180	1500	380	3.7
BPY-4001-8	355	703		4520.3	740	92.5	0.83	1.6	2.5	25-50	50-100	3180	1500	380	3.7
BPY-4002-8	375	742		4775.0	740	92.5	0.83	1.6	2.5	25-50	50-100	3290	1500	380	3.7
BPY-4002-8	400	792		5093.3	740	92.5	0.83	1.6	2.5	25-50	50-100	3290	1500	380	3.7
BPY-4501-8	450		513	5730.0	740	92.5	0.83	1.6	2.5	25-50	50-100	5140	2200	380	5.1
BPY-4502-8	500		570	6366.7	740	92.5	0.83	1.6	2.5	25-50	50-100	5300	2200	380	5.1
BPY-4503-8	560		638	7130.7	740	92.5	0.83	1.6	2.5	25-50	50-100	5490	2200	380	5.1
BPY-315S-10	45	99.6		716.3	590	91.5	0.75	1.5	2.0	5-50	50-100	850	450	380	1.3
BPY-315M-10	55	121		875.4	590	92.0	0.75	1.5	2.0	5-50	50-100	970	450	380	1.3
BPY-315L1-10	75	162		1193.8	590	92.5	0.76	1.5	2.0	5-50	50-100	1060	450	380	1.3
BPY-315L2-10	90	191		1432.5	590	93.0	0.77	1.5	2.0	5-50	50-100	1210	450	380	1.3
BPY-355M1-10	110	230		1750.8	590	93.2	0.78	1.5	2.0	5-50	50-100	1610	600	380	1.5
BPY-355M2-10	132	275		2101.0	590	93.5	0.78	1.5	2.0	5-50	50-100	1710	600	380	1.5
BPY-355L-10	160	333		2546.7	590	93.5	0.78	1.5	2.0	5-50	50-100	1790	600	380	1.5
BPY-355L3-10	185	385		2944.6	590	93.5	0.78	1.5	2.0	5-50	50-100	1890	600	380	1.5
BPY-3552-10	200	417		3183.3	590	93.5	0.78	1.5	2.0	25-50	50-100	2700	1500	380	3.7
BPY-3553-10	220	458		3501.7	590	93.5	0.78	1.5	2.0	25-50	50-100	2980	1500	380	3.7

表4(续) Table4(continued)

型号 Type	额定 功率 Rated Output (kW)	额定 电流 Rated Current (A) 380V	额定 电流 Rated Current (A) 660V	额定 转矩 (N.m)	额定 转速 Rated speed (rpm)	效率 Eff. (%)	功率 因数 P.F.	堵转 转矩 额定 转矩 T _{st} /T _n	最大 转矩 额定 转矩 T _{max} /T _n	恒转 矩调 频范围 (Hz)	恒功 率调 频范围 (Hz)	重量 (kg)	冷却风机		
													功率 (W)	电压 (V)	电流 (A)
BPY-3553-10	250	521		3979.2	590	93.5	0.78	1.5	2.0	25-50	50-100	2980	1500	380	3.7
BPY-4001-10	280	583		4456.7	590	93.5	0.78	1.5	2.0	25-50	50-100	3100	1500	380	3.7
BPY-4002-10	315	656		5013.8	590	93.5	0.78	1.5	2.0	25-50	50-100	3400	1500	380	3.7
BPY-4003-10	355	740		5650.4	590	93.5	0.78	1.5	2.0	25-50	50-100	3540	1500	380	3.7
BPY-4501-10	375	781		5968.8	590	93.5	0.78	1.5	2.0	25-50	50-100	4000	2200	380	5.1
BPY-4502-10	400		480	6366.7	590	93.5	0.78	1.5	2.0	25-50	50-100	4120	2200	380	5.1
BPY-4503-10	450		540	7162.5	590	93.5	0.78	1.5	2.0	25-50	50-100	4350	2200	380	5.1
BPY-4504-10	500		600	7958.3	590	93.5	0.78	1.5	2.0	25-50	50-100	4550	2200	380	5.1

YBX3系列技术参数(380/660V,50Hz,IC411)

表5 Table5

型号 Type	额定 功率 Rated Output (kW)	额定 电压 Rated Volt (V)	额定 电流 Rated Current (A)	额定 转速 Rated speed (rpm)	效率 Eff. (%)	功率 因数 P.F.	空载 噪声 Noise dB(A)	空载 振动 Vibration (mm/s)	堵转 转矩 额定 转矩 Tst/Tn	最大 转矩 额定 转矩 Tmax/Tn	堵转 电流 额定 电流 Ist/In	重量 Weight (kg)
YBX3-80M1-2	0.75	380	1.7	2855	80.7	0.83	67	1.6	2.3	2.3	6.8	25
YBX3-80M2-2	1.1	380	2.4	2855	82.7	0.83	67	1.6	2.3	2.3	7.3	27
YBX3-90S-2	1.5	380	3.2	2875	84.2	0.84	72	1.6	2.3	2.3	7.6	36
YBX3-90L-2	2.2	380	4.6	2875	85.9	0.85	72	1.6	2.3	2.3	7.8	39
YBX3-100L-2	3	380	6	2880	87.1	0.87	76	1.6	2.3	2.3	8.1	48
YBX3-112M-2	4	380/660	7.8/4.5	2900	88.1	0.88	77	1.6	2.3	2.3	8.3	64
YBX3-132S1-2	5.5	380/660	10.6/6.1	2900	89.2	0.88	80	1.6	2.2	2.3	8	80
YBX3-132S2-2	7.5	380/660	14.2/8.2	2900	90.1	0.89	80	2.2	2.2	2.3	7.8	84
YBX3-160M1-2	11	380/660	20.6/11.9	2940	91.2	0.89	86	2.2	2.2	2.3	7.9	141
YBX3-160M2-2	15	380/660	27.9/16.1	2940	91.9	0.89	86	2.2	2.2	2.3	8	152
YBX3-160L-2	18.5	380/660	34.2/19.7	2940	92.4	0.89	86	2.2	2.2	2.3	8.1	168
YBX3-180M-2	22	380/660	40.5/23.4	2955	92.7	0.89	88	2.2	2.2	2.3	8.2	210
YBX3-200L1-2	30	380/660	55/31.8	2965	93.3	0.89	90	2.2	2.2	2.3	7.5	275
YBX3-200L2-2	37	380/660	67/38.7	2965	93.7	0.89	90	2.2	2.2	2.3	7.5	294
YBX3-225M-2	45	380/660	81/46.8	2970	94.0	0.89	92	2.2	2.2	2.3	7.6	368
YBX3-250M-2	55	380/660	100/58	2975	94.3	0.89	93	2.2	2.2	2.3	7.6	470
YBX3-280S-2	75	380/660	135/78	2975	94.7	0.89	94	2.2	2	2.3	6.9	670
YBX3-280M-2	90	380/660	162/94	2975	95.0	0.89	94	2.8	2	2.3	7	720
YBX3-315S-2	110	380/660	197/114	2980	95.2	0.89	96	2.8	1.9	2.2	7.1	940
YBX3-315M-2	132	380/660	236/136	2980	95.4	0.89	96	2.8	1.9	2.2	7.1	1010
YBX3-315L1-2	160	380/660	286/165	2980	95.6	0.89	98	2.8	1.9	2.2	7.1	1065
YBX3-315L2-2	185	380/660	330/191	2980	95.7	0.89	98	2.8	1.9	2.2	7.1	1145
YBX3-315L2-2	200	380/660	356/206	2980	95.8	0.89	98	2.8	1.9	2.2	7.1	1145
YBX3-355M1-2	220	380/660	392/226	2980	95.8	0.89	100	2.8	1.8	2.2	7.1	1615
YBX3-355M2-2	250	380/660	441/255	2980	95.8	0.9	100	2.8	1.8	2.2	7.1	1730
YBX3-355L1-2	280	380/660	493/285	2980	95.8	0.9	100	2.8	1.8	2.2	7.1	1900
YBX3-355L2-2	315	380/660	555/320	2980	95.8	0.9	100	2.8	1.8	2.2	7.1	1945
YBX3-80M1-4	0.55	380	1.4	1400	80.8	0.75	58	1.6	2.3	2.3	6.3	25
YBX3-80M2-4	0.75	380	1.8	1400	82.5	0.75	58	1.6	2.3	2.3	6.5	27
YBX3-90S-4	1.1	380	2.6	1425	84.1	0.75	61	1.6	2.3	2.3	6.6	37
YBX3-90L-4	1.5	380	3.6	1425	85.3	0.75	61	1.6	2.3	2.3	6.9	39
YBX3-100L1-4	2.2	380	4.8	1440	86.7	0.81	64	1.6	2.3	2.3	7.5	45
YBX3-100L2-4	3	380	6.3	1450	87.7	0.82	64	1.6	2.3	2.3	7.6	50
YBX3-112M-4	4	380/660	8.4/4.8	1450	88.6	0.82	65	1.6	2.3	2.3	7.7	67
YBX3-132S-4	5.5	380/660	11/6.4	1455	89.6	0.82	71	1.6	2	2.3	7.5	90
YBX3-132M-4	7.5	380/660	15/8.7	1455	90.4	0.83	71	2.2	2	2.3	7.4	100
YBX3-160M-4	11	380/660	21/12.1	1460	91.4	0.85	75	2.2	2	2.3	7.5	148
YBX3-160L-4	15	380/660	29.1/16.8	1460	92.1	0.85	75	2.2	2	2.3	7.5	172
YBX3-180M-4	18.5	380/660	35/20.2	1470	92.6	0.86	76	2.2	2	2.3	7.7	215

表5(续) Table5(continued)

型号 Type	额定 功率 Rated Output (kW)	额定 电压 Rated Volt (V)	额定 电流 Rated Current (A)	额定 转速 Rated speed (rpm)	效率 Eff. (%)	功率 因数 P.F.	空载 噪声 Noise dB(A)	空载 振动 Vibration (mm/s)	堵转 转矩 额定 转矩 Tst/Tn	最大 转矩 额定 转矩 Tmax/Tn	堵转 电流 额定 电流 Ist/In	重量 Weight (kg)
YBX3-180L-4	22	380/660	41/23.7	1470	93.0	0.86	76	2.2	2	2.3	7.8	240
YBX3-200L-4	30	380/660	56/32.3	1475	93.6	0.87	79	2.2	2	2.3	7.2	298
YBX3-225S-4	37	380/660	68/39.3	1480	93.9	0.87	81	2.2	2	2.3	7.3	360
YBX3-225M-4	45	380/660	83/47.9	1480	94.2	0.87	81	2.2	2	2.3	7.4	390
YBX3-250M-4	55	380/660	100/57.7	1480	94.6	0.88	83	2.2	2	2.3	7.4	502
YBX3-280S-4	75	380/660	136/79	1485	95.0	0.88	86	2.2	2	2.3	6.7	370
YBX3-280M-4	90	380/660	161/93	1485	95.2	0.89	86	2.8	2	2.3	7	780
YBX3-315S-4	110	380/660	197/114	1485	95.4	0.89	93	2.8	2	2.2	7	970
YBX3-315M-4	132	380/660	236/136	1485	95.6	0.89	93	2.8	2	2.2	7	1100
YBX3-315L1-4	160	380/660	285/165	1485	95.8	0.89	94	2.8	2	2.2	7	1160
YBX3-315L2-4	185	380/660	329/190	1485	95.9	0.89	94	2.8	2	2.2	7	1250
YBX3-315L2-4	200	380/660	356/206	1485	96.0	0.89	94	2.8	2	2.2	7	1250
YBX3-355M1-4	220	380/660	391/226	1490	96.0	0.89	95	2.8	2	2.2	7	1720
YBX3-355M2-4	250	380/660	445/257	1490	96.0	0.89	95	2.8	2	2.2	7	1795
YBX3-355L1-4	280	380/660	498/288	1490	96.0	0.89	95	2.8	2	2.2	7	1955
YBX3-355L2-4	315	380/660	560/323	1490	96.0	0.89	95	2.8	2	2.2	7	2020
YBX3-90S-6	0.75	380	2.0	935	78.9	0.72	57	1.6	2.1	2.1	5.8	34
YBX3-90L-6	1.1	380	2.8	940	81.0	0.73	57	1.6	2.1	2.1	5.9	38
YBX3-100L-6	1.5	380	3.7	945	82.5	0.74	61	1.6	2.1	2.1	6	48
YBX3-112M-6	2.2	380	5.4	950	84.3	0.74	65	1.6	2.1	2.1	6	64
YBX3-132S-6	3	380	7.2	960	85.6	0.74	69	1.6	2	2.1	6.2	81
YBX3-132M1-6	4	380/660	9.5/5.5	960	86.8	0.74	69	1.6	2	2.1	6.8	91
YBX3-132M2-6	5.5	380/660	12/6.9	960	88.0	0.75	69	2.2	2	2.1	7.1	97
YBX3-160M-6	7.5	380/660	16/9.2	970	89.1	0.78	73	2.2	2.1	2.1	6.7	143
YBX3-160L-6	11	380/660	23/13.3	970	90.3	0.79	73	2.2	2.1	2.1	6.9	170
YBX3-180L-6	15	380/660	30/17.3	975	91.2	0.81	73	2.2	2	2.1	7.2	213
YBX3-200L1-6	18.5	380/660	37/21.4	975	91.7	0.81	76	2.2	2.1	2.1	7.2	275
YBX3-200L2-6	22	380/660	44/25.4	975	92.2	0.82	76	2.2	2.1	2.1	7.3	286
YBX3-225M-6	30	380/660	60/34.6	985	92.9	0.81	76	2.2	2	2.1	7.1	364
YBX3-250M-6	37	380/660	71/41	985	93.3	0.84	78	2.2	2.1	2.1	7.1	482
YBX3-280S-6	45	380/660	84/48.5	985	93.7	0.86	80	2.2	2.1	2	7.2	640
YBX3-280M-6	55	380/660	103/59.5	985	94.1	0.86	80	2.8	2.1	2	7.2	700
YBX3-315S-6	75	380/660	142/82	990	94.6	0.85	85	2.8	2	2	7	930
YBX3-315M-6	90	380/660	172/99	990	94.9	0.84	85	2.8	2	2	7	1070
YBX3-315L1-6	110	380/660	207/120	990	95.1	0.85	85	2.8	2	2	7	1145
YBX3-315L2-6	132	380/660	244/141	990	95.4	0.86	85	2.8	2	2	7	1245
YBX3-355S-6	160	380/660	292/169	990	95.6	0.87	92	2.8	1.9	2	7	1635
YBX3-355M1-6	185	380/660	337/195	990	95.8	0.87	92	2.8	1.9	2	7	1800
YBX3-355M2-6	200	380/660	365/211	990	95.8	0.87	92	2.8	1.9	2	7	1825

表5(续) Table5(continued)

型号 Type	额定 功率 Rated Output (kW)	额定 电压 Rated Volt (V)	额定 电流 Rated Current (A)	额定 转速 Rated speed (rpm)	效率 Eff. (%)	功率 因数 P.F.	空载 噪声 Noise dB(A)	空载 振动 Vibration (mm/s)	堵转 转矩 额定 转矩 Tst/Tn	最大 转矩 额定 转矩 Tmax/Tn	堵转 电流 额定 电流 Ist/In	重量 Weight (kg)
YBX3-355L1-6	220	380/660	401/232	990	95.8	0.87	92	2.8	1.9	2	7	1960
YBX3-355L2-6	250	380/660	456/263	990	95.8	0.87	92	2.8	1.9	2	7	2080
YBX3-100L1-8	0.75	380	2.3	680	75.0	0.67	59	1.6	1.8	2	4	45
YBX3-100L2-8	1.1	380	3.2	680	77.7	0.67	59	1.6	1.8	2	5	50
YBX3-112M-8	1.5	380	4.0	690	79.7	0.71	61	1.6	1.8	2	5	65
YBX3-132S-8	2.2	380	5.7	705	81.9	0.71	64	1.6	1.8	2	6	83
YBX3-132M-8	3	380	7.5	705	83.5	0.73	64	2.2	1.8	2	6	92
YBX3-160M1-8	4	380/660	9.8/5.7	720	84.8	0.73	68	2.2	1.9	2	6	146
YBX3-160M2-8	5.5	380/660	13.1/7.6	720	86.2	0.74	68	2.2	1.9	2	6	158
YBX3-160L-8	7.5	380/660	17.4/10	720	87.3	0.75	68	2.2	2	2	6	173
YBX3-180L-8	11	380/660	25.2/14.5	730	88.6	0.75	70	2.2	2	2	6.5	215
YBX3-200L-8	15	380/660	33.5/19.3	730	89.6	0.76	73	2.2	1.9	2	6.6	278
YBX3-225S-8	18.5	380/660	41.0/23.7	730	90.1	0.76	73	2.2	1.9	2	6.6	350
YBX3-225M-8	22	380/660	47.3/27.3	730	90.6	0.78	73	2.2	1.9	2	6.6	369
YBX3-250M-8	30	380/660	63.2/36.5	740	91.3	0.79	75	2.2	1.9	2	6.5	485
YBX3-280S-8	37	380/660	77.5/44.7	735	91.8	0.79	76	2.2	1.9	2	6.6	643
YBX3-280M-8	45	380/660	93.9/54.2	735	92.2	0.79	76	2.8	1.9	2	6.6	702
YBX3-315S-8	55	380/660	113/65.2	735	92.5	0.8	82	2.8	1.8	2	6.6	935
YBX3-315M-8	75	380/660	153/88	735	93.1	0.8	82	2.8	1.8	2	6.4	1065
YBX3-315L1-8	90	380/660	183/106	735	93.4	0.8	82	2.8	1.8	2	6.4	1142
YBX3-315L2-8	110	380/660	218/126	735	93.7	0.82	82	2.8	1.8	2	6.4	1247
YBX3-355S-8	132	380/660	260/150	740	94.0	0.82	90	2.8	1.8	2	6.4	1637
YBX3-355M-8	160	380/660	314/181	740	94.3	0.82	90	2.8	1.8	2	6.4	1817
YBX3-355L1-8	185	380/660	362/209	740	94.5	0.82	90	2.8	1.8	2	6.4	1965
YBX3-355L2-8	200	380/660	387/223	740	94.6	0.83	90	2.8	1.8	2	6.4	2083
YBX3-315S-10	45	380/660	100/58	590	91.2	0.75	82	2.8	1.5	2	6.2	951
YBX3-315M-10	55	380/660	121/70	590	91.8	0.75	82	2.8	1.5	2	6.2	1085
YBX3-315L1-10	75	380/660	162/94	590	92.3	0.76	82	2.8	1.5	2	6.2	1200
YBX3-315L2-10	90	380/660	191/110	590	92.9	0.77	82	2.8	1.5	2	6.2	1640
YBX3-355M1-10	110	380/660	230/133	590	93.5	0.78	90	2.8	1.3	2	6	1830
YBX3-355M2-10	132	380/660	275/159	590	93.5	0.78	90	2.8	1.3	2	6	1970
YBX3-355L1-10	160	380/660	333/192	590	93.5	0.78	90	2.8	1.3	2	6	2060
YBX3-355L2-10	185	380/660	385/222	590	93.5	0.78	90	2.8	1.3	2	6	2170

YBX4系列技术参数(380/660V,50Hz,IC411)

表6 Table6

型号 Type	额定 功率 Rated Output (kW)	额定 电压 Rated Volt (V)	额定 电流 Rated Current (A)	额定 转速 Rated speed (rpm)	效率 Eff. (%)	功率 因数 P.F.	空载 噪声 Noise dB(A)	空载 振动 Vibration (mm/s)	堵转 转矩 额定 转矩 Tst/Tn	最大 转矩 额定 转矩 Tmax/Tn	堵转 电流 额定 电流 Ist/In	重量 Weight (kg)
YBX4-80M1-2	0.75	380	1.64	2870	83.5	0.83	67	1.3	2.2	2.3	8.5	35
YBX4-80M2-2	1.1	380	2.36	2870	85.2	0.83	67	1.3	2.2	2.3	8.5	38
YBX4-90S-2	1.5	380	3.1	2900	86.5	0.85	72	1.3	2.2	2.3	9	50
YBX4-90L-2	2.2	380	4.42	2900	88.0	0.86	72	1.3	2.2	2.3	9	55
YBX4-100L-2	3	380	5.9	2900	89.1	0.87	76	1.3	2.2	2.3	9.5	67
YBX4-112M-2	4	380/660	7.7/4.4	2910	90.0	0.88	77	1.3	2.2	2.3	9.5	90
YBX4-132S1-2	5.5	380/660	10.4/6.0	2940	90.9	0.88	80	1.3	2	2.3	9.5	115
YBX4-132S2-2	7.5	380/660	14.0/8.0	2940	91.7	0.89	80	1.3	2	2.3	9.5	120
YBX4-160M1-2	11	380/660	20.3/11.7	2940	92.6	0.89	86	1.8	2	2.3	9.5	200
YBX4-160M2-2	15	380/660	27.4/15.8	2940	93.3	0.89	86	1.8	2	2.3	9.5	215
YBX4-160L-2	18.5	380/660	33.7/19.4	2940	93.7	0.89	86	1.8	2	2.3	9.5	235
YBX4-180M-2	22	380/660	40/23.0	2960	94.0	0.89	88	1.8	2	2.3	9.5	295
YBX4-200L1-2	30	380/660	54.2/31.2	2965	94.5	0.89	90	1.8	2	2.3	9	385
YBX4-200L2-2	37	380/660	66.6/38.4	2965	94.8	0.89	90	1.8	2	2.3	9	415
YBX4-225M-2	45	380/660	80.9/46.6	2970	95.0	0.89	92	1.8	2	2.3	9	515
YBX4-250M-2	55	380/660	98.5/56.7	2975	95.3	0.89	92	1.8	2	2.3	9	660
YBX4-280S-2	75	380/660	134/77.1	2980	95.6	0.89	94	1.8	1.8	2.3	8.5	940
YBX4-280M-2	90	380/660	160/92.3	2980	95.8	0.89	94	1.8	1.8	2.3	8.5	1010
YBX4-315S-2	110	380/660	196/113	2980	96.0	0.89	96	2.3	1.8	2.3	8.5	1320
YBX4-315M-2	132	380/660	234/135	2980	96.2	0.89	96	2.3	1.8	2.3	8.5	1420
YBX4-315L1-2	160	380/660	284/163	2980	96.3	0.89	98	2.3	1.8	2.2	8.5	1500
YBX4-315L2-2	185	380/660	328/189	2980	96.4	0.89	98	2.3	1.8	2.2	8.5	1500
YBX4-315L2-2	200	380/660	354/204	2980	96.5	0.89	98	2.3	1.8	2.2	8.5	1600
YBX4-355M1-2	220	380/660	385/222	2980	96.5	0.9	100	2.3	1.6	2.2	8.5	2270
YBX4-355M2-2	250	380/660	433/249	2980	96.5	0.91	100	2.3	1.6	2.2	8.5	2425
YBX4-355L1-2	280	380/660	484/279	2980	96.5	0.91	100	2.3	1.6	2.2	8.5	2660
YBX4-355L2-2	315	380/660	545/314	2980	96.5	0.91	100	2.3	1.6	2.2	8.5	2730
YBX4-80M1-4	0.55	380	1.35	1435	83.9	0.74	58	1.3	2.3	2.3	8	35
YBX4-80M2-4	0.75	380	1.8	1435	85.7	0.74	58	1.3	2.3	2.3	8.5	38
YBX4-90S-4	1.1	380	2.56	1440	87.2	0.75	61	1.3	2.3	2.3	8.5	52
YBX4-90L-4	1.5	380	3.4	1440	88.2	0.76	61	1.3	2.3	2.3	9	55
YBX4-100L1-4	2.2	380	4.73	1460	89.5	0.79	64	1.3	2.3	2.3	9	65
YBX4-100L2-4	3	380	6.3	1460	90.4	0.8	64	1.3	2.3	2.3	9.5	70
YBX4-112M-4	4	380/660	8.3/4.8	1460	91.1	0.8	65	1.3	2.3	2.3	9.5	95
YBX4-132S-4	5.5	380/660	11.4/6.5	1470	91.9	0.8	71	1.3	2	2.3	9.5	130
YBX4-132M-4	7.5	380/660	15.2/8.7	1470	92.6	0.81	71	1.3	2	2.3	9.5	140
YBX4-160M-4	11	380/660	21.6/12.4	1460	93.3	0.83	75	1.8	2	2.3	9.5	210
YBX4-160L-4	15	380/660	28.9/16.6	1460	93.9	0.84	75	1.8	2	2.3	9.5	240
YBX4-180M-4	18.5	380/660	35.1/20.2	1480	94.2	0.85	76	1.8	2	2.3	9.5	300

表6(续) Table6(continued)

型号 Type	额定 功率 Rated Output (kW)	额定 电压 Rated Volt (V)	额定 电流 Rated Current (A)	额定 转速 Rated speed (rpm)	效率 Eff. (%)	功率 因数 P.F.	空载 噪声 Noise dB(A)	空载 振动 Vibration (mm/s)	堵转 转矩 额定 转矩 Tst/Tn	最大 转矩 额定 转矩 Tmax/Tn	堵转 电流 额定 电流 Ist/In	重量 Weight (kg)
YBX4-180L-4	22	380/660	41.6/24	1480	94.5	0.85	76	1.8	2	2.3	9.5	340
YBX4-200L-4	30	380/660	56.5/32.5	1480	94.9	0.85	79	1.8	2	2.3	9	420
YBX4-225S-4	37	380/660	69.5/40.0	1480	95.2	0.85	81	1.8	2	2.3	9	505
YBX4-225M-4	45	380/660	84.3/48.5	1480	95.4	0.85	81	1.8	2	2.3	9	550
YBX4-250M-4	55	380/660	102/58.5	1485	95.7	0.86	83	1.8	2	2.3	9	705
YBX4-280S-4	75	380/660	136/78.6	1490	96.0	0.87	86	1.8	2	2.3	8.5	520
YBX4-280M-4	90	380/660	162/93.1	1490	96.1	0.88	86	1.8	2	2.3	8.5	1100
YBX4-315S-4	110	380/660	195/112	1490	96.3	0.89	93	2.3	1.8	2.2	8.5	1360
YBX4-315M-4	132	380/660	234/135	1490	96.4	0.89	93	2.3	1.8	2.2	8.5	1540
YBX4-315L1-4	160	380/660	280/161	1490	96.6	0.9	94	2.3	1.8	2.2	8.5	1630
YBX4-315L2-4	185	380/660	322/186	1490	96.7	0.9	94	2.3	1.8	2.2	8.5	1750
YBX4-315L2-4	200	380/660	349/201	1490	96.7	0.9	94	2.3	1.8	2.2	8.5	1750
YBX4-355M1-4	220	380/660	384/221	1490	96.7	0.9	95	2.3	1.8	2.2	8.5	2410
YBX4-355M2-4	250	380/660	436/251	1490	96.7	0.9	95	2.3	1.8	2.2	8.5	2520
YBX4-355L1-4	280	380/660	489/281	1490	96.7	0.9	95	2.3	1.8	2.2	8.5	2740
YBX4-355L2-4	315	380/660	550/317	1490	96.7	0.9	95	2.3	1.8	2.2	8.5	2830
YBX4-90S-6	0.75	380	1.97	950	82.7	0.7	57	1.3	2.1	2.1	7.5	50
YBX4-90L-6	1.1	380	2.83	950	84.5	0.7	57	1.3	2.1	2.1	7.5	55
YBX4-100L-6	1.5	380	3.74	955	85.9	0.71	61	1.3	2.1	2.1	7.5	68
YBX4-112M-6	2.2	380	5.4	960	87.4	0.71	65	1.3	2.1	2.1	7.5	90
YBX4-132S-6	3	380	7.2	970	88.6	0.71	69	1.3	2	2.1	7.5	115
YBX4-132M1-6	4	380/660	9.4/5.4	970	89.5	0.72	69	1.3	2	2.1	8	130
YBX4-132M2-6	5.5	380/660	12.8/7.4	970	90.5	0.72	69	1.3	2	2.1	8	135
YBX4-160M-6	7.5	380/660	16.4/9.5	970	91.3	0.76	73	1.8	2	2.1	8	200
YBX4-160L-6	11	380/660	23.5/13.5	970	92.3	0.77	73	1.8	2	2.1	8.5	240
YBX4-180L-6	15	380/660	30.7/17.7	980	92.9	0.8	73	1.8	2	2.1	8.5	300
YBX4-200L1-6	18.5	380/660	37.6/21.7	985	93.4	0.8	76	1.8	2	2.1	8.5	385
YBX4-200L2-6	22	380/660	44.0/25.4	985	93.7	0.81	76	1.8	2	2.1	8.5	400
YBX4-225M-6	30	380/660	59.0/34.0	985	94.2	0.82	78	1.8	2	2.1	8.3	510
YBX4-250M-6	37	380/660	71.7/41.3	985	94.5	0.83	78	1.8	2	2.1	8.3	675
YBX4-280S-6	45	380/660	86.9/50.0	990	94.8	0.83	80	1.8	2	2	8.5	900
YBX4-280M-6	55	380/660	105/60.2	990	95.1	0.84	80	1.8	2	2	8.5	980
YBX4-315S-6	75	380/660	142/81.9	990	95.4	0.84	85	2.3	1.6	2	8	1300
YBX4-315M-6	90	380/660	168/96.9	990	95.6	0.85	85	2.3	1.6	2	8	1500
YBX4-315L1-6	110	380/660	205/118	990	95.8	0.85	85	2.3	1.6	2	8	1605
YBX4-315L2-6	132	380/660	243/140	990	96.0	0.86	85	2.3	1.6	2	8	1750
YBX4-355S-6	160	380/660	294/169	990	96.2	0.86	92	2.3	1.6	2	8	2290
YBX4-355M1-6	185	380/660	339/195	990	96.3	0.86	92	2.3	1.6	2	8	2520
YBX4-355M2-6	200	380/660	367/211	990	96.3	0.86	92	2.3	1.6	2	8	2555

表6(续) Table6(continued)

型号 Type	额定 功率 Rated Output (kW)	额定 电压 Rated Volt (V)	额定 电流 Rated Current (A)	额定 转速 Rated speed (rpm)	效率 Eff. (%)	功率 因数 P.F.	空载 噪声 Noise dB(A)	空载 振动 Vibration (mm/s)	堵转 转矩 额定 转矩 Tst/Tn	最大 转矩 额定 转矩 Tmax/Tn	堵转 电流 额定 电流 Ist/In	重量 Weight (kg)
YBX4-355L1-6	220	380/660	403/232	990	96.4	0.86	92	2.3	1.6	2	8	2750
YBX4-355L2-6	250	380/660	458/264	990	96.5	0.86	92	2.3	1.6	2	8	2920
YBX4-100L1-8	0.75	380	2.2	700	78.4	0.66	59	1.3	2	2	7	65
YBX4-100L2-8	1.1	380	3.09	700	80.8	0.67	59	1.3	2	2	7	70
YBX4-112M-8	1.5	380	4.0	705	82.6	0.69	61	1.3	2	2	7	92
YBX4-132S-8	2.2	380	5.7	715	84.5	0.7	64	1.3	1.8	2	7.5	120
YBX4-132M-8	3	380	7.6	715	85.9	0.7	64	1.3	1.8	2	7.8	130
YBX4-160M1-8	4	380/660	9.8/5.7	720	87.1	0.71	68	1.8	1.8	2	7.9	205
YBX4-160M2-8	5.5	380/660	13.1/7.6	720	88.3	0.72	68	1.8	1.8	2	8.1	225
YBX4-160L-8	7.5	380/660	17.2/9.9	720	89.3	0.74	68	1.8	1.8	2	7.8	245
YBX4-180L-8	11	380/660	25/14.4	730	90.4	0.74	70	1.8	1.8	2	7.9	300
YBX4-200L-8	15	380/660	33.3/19.2	730	91.2	0.75	73	1.8	1.8	2	8	390
YBX4-225S-8	18.5	380/660	40.9/23.5	740	91.7	0.75	73	1.8	1.8	2	8.1	490
YBX4-225M-8	22	380/660	47.8/27.5	740	92.1	0.76	73	1.8	1.8	2	8.3	520
YBX4-250M-8	30	380/660	63.9/36.8	735	92.7	0.77	75	1.8	1.8	2	7.9	680
YBX4-280S-8	37	380/660	77.4/44.6	740	93.1	0.78	76	1.8	1.8	2	7.9	900
YBX4-280M-8	45	380/660	93.9/54.0	740	93.4	0.78	76	1.8	1.8	2	7.9	985
YBX4-315S-8	55	380/660	111/64.2	740	93.7	0.8	82	2.3	1.6	2	8.2	1310
YBX4-315M-8	75	380/660	151/87.1	740	94.2	0.8	82	2.3	1.6	2	7.6	1450
YBX4-315L1-8	90	380/660	179/103	740	94.4	0.81	82	2.3	1.6	2	7.7	1600
YBX4-315L2-8	110	380/660	218/125	740	94.7	0.81	82	2.3	1.6	2	7.7	1750
YBX4-355S-8	132	380/660	261/150	740	94.9	0.81	90	2.3	1.6	2	7.7	2290
YBX4-355M-8	160	380/660	312/179	740	95.1	0.82	90	2.3	1.6	2	7.7	2540
YBX4-355L1-8	185	380/660	360/207	740	95.3	0.82	90	2.3	1.6	2	7.8	2750
YBX4-355L2-8	200	380/660	388/224	740	95.4	0.82	90	2.3	1.6	2	7.8	2920
YBX4-315S-10	45	380/660	98.7/56.8	585	92.4	0.75	82	2.3	1.3	2	6.2	1335
YBX4-315M-10	55	380/660	120/69.2	585	92.7	0.75	82	2.3	1.3	2	6.2	1600
YBX4-315L1-10	75	380/660	161/92.6	585	93.2	0.76	82	2.3	1.3	2	6.2	1680
YBX4-315L2-10	90	380/660	190/109	585	93.4	0.77	82	2.3	1.3	2	6.2	2300
YBX4-355M1-10	110	380/660	229/132	585	93.6	0.78	90	2.3	1.3	2	6	2560
YBX4-355M2-10	132	380/660	273/157	585	94.1	0.78	90	2.3	1.3	2	6	2760
YBX4-355L1-10	160	380/660	331/191	585	94.1	0.78	90	2.3	1.3	2	6	2940
YBX4-355L2-10	185	380/660	383/220	585	94.1	0.78	90	2.3	1.3	2	6	3150

YBBP系列技术参数 (380V,50Hz,IC416)

表7 Table7

型号 Type	标称 功率 (kW)	额定 电流 Rated Current (A)	额定 转矩 (N.m)	额定 转速 Rated speed (rpm)	效率 Eff. (%)	功率 因数 P.F.	堵转 转矩 额定 转矩 Tst/Tn	最大 转矩 额定 转矩 Tmax/Tn	恒转 矩调 速范围	恒功 率调 速范围	重 量 (kg)	冷却风机 (II B)			冷却风机 (II C)		
												功 率 (W)	电 压 (V)	电 流 (A)	功 率 (W)	电 压 (V)	电 流 (A)
YBBP-80M1-2	0.75	1.9	2.4	2845	72.1	0.83	2.2	2.3	5-50Hz	50-60Hz	17	38	380	0.11	40	380	0.2
YBBP-80M2-2	1.1	2.7	3.5	2845	75.0	0.83	2.2	2.3	5-50Hz	50-60Hz	18	38	380	0.11	40	380	0.2
YBBP-90S-2	1.5	3.5	4.8	2840	77.2	0.84	2.2	2.3	5-50Hz	50-60Hz	23	40	380	0.11	40	380	0.2
YBBP-90L-2	2.2	4.9	7	2840	79.7	0.85	2.2	2.3	5-50Hz	50-60Hz	27	40	380	0.11	40	380	0.2
YBBP-100L-2	3	6.4	9.5	2860	81.5	0.87	2.2	2.3	5-50Hz	50-60Hz	36	60	380	0.21	60	380	0.25
YBBP-112M-2	4	8.3	12.7	2880	83.1	0.88	2.2	2.3	5-50Hz	50-60Hz	45	85	380	0.21	60	380	0.25
YBBP-132S1-2	5.5	11.2	17.5	2900	84.7	0.88	2.2	2.3	5-50Hz	50-60Hz	65	70	380	0.28	90	380	0.4
YBBP-132S2-2	7.5	14.9	23.9	2900	86.0	0.89	2.2	2.3	5-50Hz	50-60Hz	70	70	380	0.28	90	380	0.4
YBBP-160M1-2	11	21.4	35	2930	87.6	0.89	2.2	2.4	5-50Hz	50-60Hz	110	90	380	0.28	120	380	0.48
YBBP-160M2-2	15	28.9	47.7	2930	88.7	0.89	2.2	2.4	5-50Hz	50-60Hz	120	90	380	0.28	120	380	0.48
YBBP-160L-2	18.5	35.4	58.9	2930	89.3	0.89	2.2	2.4	5-50Hz	50-60Hz	140	90	380	0.28	120	380	0.48
YBBP-180M-2	22	41.8	70	2940	89.9	0.89	2	2.3	5-50Hz	50-60Hz	180	105	380	0.28	180	380	0.65
YBBP-200L1-2	30	56.5	95.5	2950	90.7	0.89	2	2.3	5-50Hz	50-60Hz	240	130	380	0.31	250	380	0.83
YBBP-200L2-2	37	69.3	117.8	2950	91.2	0.89	2	2.3	5-50Hz	50-60Hz	265	130	380	0.31	250	380	0.83
YBBP-225M-2	45	83.8	143.2	2960	91.7	0.89	2	2.3	5-50Hz	50-60Hz	305	180	380	0.55	250	380	0.83
YBBP-250M-2	55	102	175.1	2965	92.1	0.89	2	2.3	5-50Hz	50-60Hz	430	250	380	0.58	370	380	1.17
YBBP-280S-2	75	138	239	2970	92.7	0.89	2	2.3	5-50Hz	50-60Hz	520	370	380	0.7	550	380	1.57
YBBP-280M-2	90	165	287	2970	93.0	0.89	2	2.3	5-50Hz	50-60Hz	650	370	380	0.7	550	380	1.57
YBBP-315S-2	110	199	350	2975	93.3	0.9	1.8	2.2	5-50Hz	50-60Hz	1000	600	380	1.65	750	380	2.03
YBBP-315M-2	132	238	420	2975	93.5	0.9	1.8	2.2	5-50Hz	50-60Hz	1135	600	380	1.65	750	380	2.03
YBBP-315L1-2	160	285	509	2975	93.8	0.91	1.8	2.2	5-50Hz	50-60Hz	1170	600	380	1.65	750	380	2.03
YBBP-315L2-2	185	329	594	2975	93.9	0.91	1.8	2.2	5-50Hz	50-60Hz	1180	600	380	1.65	750	380	2.03
YBBP-315L2-2	200	355	637	2975	94.0	0.91	1.8	2.2	5-50Hz	50-60Hz	1180	600	380	1.65	750	380	2.03
YBBP-355M1-2	220	391	700	2980	94.0	0.91	1.6	2.2	5-50Hz	50-60Hz	1710	370	380	1.37	1100	380	2.9
YBBP-355M2-2	250	444	796	2980	94.0	0.91	1.6	2.2	5-50Hz	50-60Hz	1750	370	380	1.37	1100	380	2.9
YBBP-355L1-2	280	497	891	2980	94.0	0.91	1.6	2.2	5-50Hz	50-60Hz	1850	370	380	1.37	1100	380	2.9
YBBP-355L2-2	315	560	1003	2980	94.0	0.91	1.6	2.2	5-50Hz	50-60Hz	1895	370	380	1.37	1100	380	2.9
YBBP-80M1-4	0.55	1.6	3.5	1390	70.0	0.75	2.4	2.3	5-50Hz	50-100Hz	17	38	380	0.11	40	380	0.2
YBBP-80M2-4	0.75	2.1	4.8	1390	72.1	0.76	2.4	2.3	5-50Hz	50-100Hz	18	38	380	0.11	40	380	0.2
YBBP-90S-4	1.1	2.9	7	1390	75.0	0.77	2.3	2.3	5-50Hz	50-100Hz	28	40	380	0.11	40	380	0.2
YBBP-90L-4	1.5	3.7	9.5	1390	77.2	0.79	2.3	2.3	5-50Hz	50-100Hz	32	40	380	0.11	40	380	0.2
YBBP-100L1-4	2.2	5.2	14	1410	79.7	0.8	2.3	2.4	5-50Hz	50-100Hz	35	60	380	0.21	60	380	0.25
YBBP-100L2-4	3	6.9	19.1	1410	81.5	0.81	2.3	2.4	5-50Hz	50-100Hz	37	60	380	0.21	60	380	0.25
YBBP-112M-4	4	9	25.5	1440	83.1	0.81	2.3	2.4	5-50Hz	50-100Hz	50	85	380	0.21	60	380	0.25
YBBP-132S-4	5.5	12	35	1440	84.7	0.82	2.3	2.4	5-50Hz	50-100Hz	65	70	380	0.28	90	380	0.4
YBBP-132M-4	7.5	16	47.7	1440	86.0	0.83	2.3	2.4	5-50Hz	50-100Hz	75	70	380	0.28	90	380	0.4
YBBP-160M-4	11	23	70	1460	87.6	0.83	2.2	2.4	5-50Hz	50-100Hz	120	90	380	0.28	120	380	0.48
YBBP-160L-4	15	30.6	95.5	1460	88.7	0.84	2.2	2.4	5-50Hz	50-100Hz	140	90	380	0.28	120	380	0.48
YBBP-180M-4	18.5	37	117.8	1470	89.3	0.85	2.2	2.3	5-50Hz	50-100Hz	185	105	380	0.28	180	380	0.65

表7(续) Table7(continued)

型号 Type	标称 功率 (kW)	额定 电流 Rated Current (A)	额定 转矩 (N.m)	额定 转速 Rated speed (rpm)	效率 Eff. (%)	功率 因数 P.F.	堵转 转矩 额定 转矩 Tst/Tn	最大 转矩 额定 转矩 Tmax/Tn	恒转 矩调 速范围	恒功 率调 速范围	重 量 (kg)	冷却风机 (II B)			冷却风机 (II C)		
												功 率 (W)	电 压 (V)	电 流 (A)	功 率 (W)	电 压 (V)	电 流 (A)
YBBP-180L-4	22	43.7	140.1	1470	89.9	0.85	2.2	2.3	5-50Hz	50-100Hz	205	105	380	0.28	180	380	0.65
YBBP-200L-4	30	59.1	191	1470	90.7	0.85	2.2	2.4	5-50Hz	50-100Hz	265	130	380	0.31	250	380	0.83
YBBP-225S-4	37	71.7	236	1475	91.2	0.86	2.2	2.4	5-50Hz	50-100Hz	305	180	380	0.55	250	380	0.83
YBBP-225M-4	45	86.7	287	1475	91.7	0.86	2.2	2.4	5-50Hz	50-100Hz	315	180	380	0.55	250	380	0.83
YBBP-250M-4	55	106	350	1480	92.1	0.86	2.2	2.4	5-50Hz	50-100Hz	440	250	380	0.58	370	380	1.17
YBBP-280S-4	75	141	478	1480	92.7	0.87	2.2	2.4	5-50Hz	50-100Hz	570	370	380	0.7	550	380	1.57
YBBP-280M-4	90	167	573	1480	93.0	0.88	2.2	2.4	5-50Hz	50-100Hz	690	370	380	0.7	550	380	1.57
YBBP-315S-4	110	201	700	1480	93.3	0.89	2.1	2.2	5-50Hz	50-100Hz	985	600	380	1.65	750	380	2.03
YBBP-315M-4	132	241	840	1480	93.5	0.89	2.1	2.2	5-50Hz	50-100Hz	1180	600	380	1.65	750	380	2.03
YBBP-315L1-4	160	288	1019	1480	93.8	0.9	2.1	2.2	5-50Hz	50-100Hz	1195	600	380	1.65	750	380	2.03
YBBP-315L2-4	185	332	1194	1480	94.0	0.9	2.1	2.2	5-50Hz	50-100Hz	1345	600	380	1.65	750	380	2.03
YBBP-315L2-4	200	359	1273	1480	94.0	0.9	2.1	2.2	5-50Hz	50-100Hz	1345	600	380	1.65	750	380	2.03
YBBP-355M1-4	220	395	1401	1490	94.0	0.9	2.1	2.2	5-50Hz	50-75Hz	1665	370	380	1.37	1100	380	2.9
YBBP-355M2-4	250	449	1592	1490	94.0	0.9	2.1	2.2	5-50Hz	50-75Hz	1740	370	380	1.37	1100	380	2.9
YBBP-355L1-4	280	503	1783	1490	94.0	0.9	2.1	2.2	5-50Hz	50-75Hz	1840	370	380	1.37	1100	380	2.9
YBBP-355L2-4	315	566	2005	1490	94.0	0.9	2.1	2.2	5-50Hz	50-75Hz	1990	370	380	1.37	1100	380	2.9
YBBP-90S-6	0.75	2.3	7.2	910	70.0	0.72	2.1	2.1	5-50Hz	50-100Hz	28	40	380	0.11	40	380	0.2
YBBP-90L-6	1.1	3.2	10.5	910	72.9	0.72	2.1	2.1	5-50Hz	50-100Hz	32	40	380	0.11	40	380	0.2
YBBP-100L-6	1.5	4.2	14.3	920	75.2	0.72	2.1	2.1	5-50Hz	50-100Hz	35	60	380	0.21	60	380	0.25
YBBP-112M-6	2.2	6	21	935	77.7	0.72	2.1	2.1	5-50Hz	50-100Hz	50	85	380	0.21	60	380	0.25
YBBP-132S-6	3	7.9	28.6	960	79.7	0.72	2.1	2.4	5-50Hz	50-100Hz	61	70	380	0.28	90	380	0.4
YBBP-132M1-6	4	10.1	38.2	960	81.4	0.74	2.1	2.4	5-50Hz	50-100Hz	72	70	380	0.28	90	380	0.4
YBBP-132M2-6	5.5	13.4	52.5	965	83.1	0.75	2.1	2.4	5-50Hz	50-100Hz	85	70	380	0.28	90	380	0.4
YBBP-160M-6	7.5	17.2	71.6	970	84.7	0.78	2.1	2.4	5-50Hz	50-100Hz	115	90	380	0.28	120	380	0.48
YBBP-160L-6	11	24.5	105	970	86.4	0.79	2.1	2.4	5-50Hz	50-100Hz	135	90	380	0.28	120	380	0.48
YBBP-180L-6	15	31.7	143.2	970	87.7	0.82	2.1	2.1	5-50Hz	50-100Hz	190	105	380	0.28	180	380	0.65
YBBP-200L1-6	18.5	39.7	176.7	980	88.6	0.8	2.1	2.4	5-50Hz	50-100Hz	240	130	380	0.31	250	380	0.83
YBBP-200L2-6	22	46.3	210.1	980	89.2	0.81	2.1	2.4	5-50Hz	50-100Hz	250	130	380	0.31	250	380	0.83
YBBP-225M-6	30	61.6	286.4	980	90.2	0.82	2.1	2.4	5-50Hz	50-100Hz	315	180	380	0.55	250	380	0.83
YBBP-250M-6	37	74.6	353.3	980	90.8	0.83	2.1	2.4	5-50Hz	50-100Hz	415	250	380	0.58	370	380	1.17
YBBP-280S-6	45	88	429.7	980	91.4	0.85	2.1	2.4	5-50Hz	50-100Hz	515	370	380	0.7	550	380	1.57
YBBP-280M-6	55	106	525.2	980	91.9	0.86	2.1	2.2	5-50Hz	50-100Hz	590	370	380	0.7	550	380	1.57
YBBP-315S-6	75	147	716.2	985	92.6	0.84	2	2	5-50Hz	50-100Hz	935	600	380	1.65	750	380	2.03
YBBP-315M-6	90	173	859.4	985	92.9	0.85	2	2	5-50Hz	50-100Hz	1080	600	380	1.65	750	380	2.03
YBBP-315L1-6	110	211	1050.4	985	93.3	0.85	2	2	5-50Hz	50-100Hz	1145	600	380	1.65	750	380	2.03
YBBP-315L2-6	132	249	1260.5	985	93.5	0.86	2	2	5-50Hz	50-100Hz	1200	600	380	1.65	750	380	2.03
YBBP-355S-6	160	301	1528	990	93.8	0.86	1.9	2	5-50Hz	50-100Hz	1280	370	380	1.37	1100	380	2.9
YBBP-355M1-6	185	348	1767	990	93.9	0.86	1.9	2	5-50Hz	50-100Hz	1640	370	380	1.37	1100	380	2.9
YBBP-355M2-6	200	376	1910	990	94.0	0.86	1.9	2	5-50Hz	50-100Hz	1675	370	380	1.37	1100	380	2.9

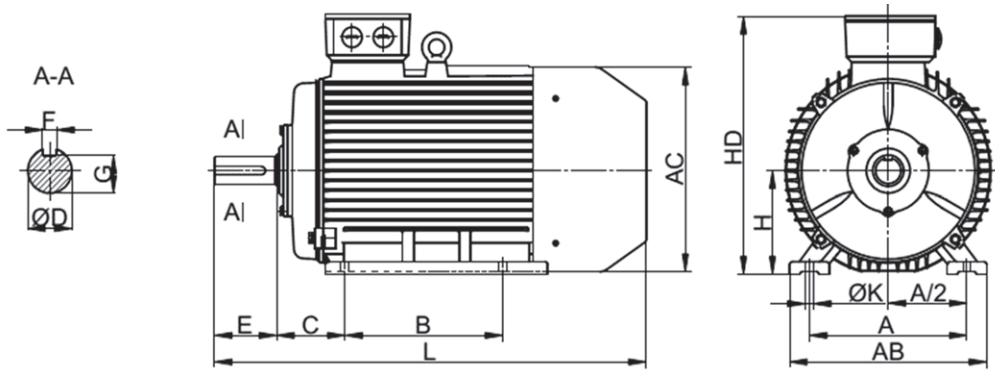
表7(续) Table7(continued)

型号 Type	标称 功率 (kW)	额定 电流 Rated Current (A)	额定 转矩 (N.m)	额定 转速 Rated speed (rpm)	效率 Eff. (%)	功率 因数 P.F.	堵转 转矩 额定 转矩 T _{st} /T _n	最大 转矩 额定 转矩 T _{max} /T _n	恒转 矩调 速范围	恒功 率调 速范围	重 量 (kg)	冷却风机 (II B)			冷却风机 (II C)		
												功 率 (W)	电 压 (V)	电 流 (A)	功 率 (W)	电 压 (V)	电 流 (A)
YBBP-355L1-6	220	413	2101	990	94.0	0.86	1.9	2	5-50Hz	50-100Hz	1850	370	380	1.37	1100	380	2.9
YBBP-355L2-6	250	470	2387	990	94.0	0.86	1.9	2	5-50Hz	50-100Hz	1890	370	380	1.37	1100	380	2.9
YBBP-100L1-8	0.75	2.78	9.6	680	61.2	0.67	1.8	2	5-50Hz	50-100Hz	40	60	380	0.21	60	380	0.25
YBBP-100L2-8	1.1	3.64	14	680	66.5	0.69	1.8	2	5-50Hz	50-100Hz	45	60	380	0.21	60	380	0.25
YBBP-112M-8	1.5	4.64	19.1	690	70.2	0.7	1.8	2	5-50Hz	50-100Hz	55	85	380	0.21	60	380	0.25
YBBP-132S-8	2.2	6.3	28	705	74.2	0.71	1.8	2.2	5-50Hz	50-100Hz	59	70	380	0.28	90	380	0.4
YBBP-132M-8	3	8.1	38.2	705	77.0	0.73	1.8	2.2	5-50Hz	50-100Hz	71	70	380	0.28	90	380	0.4
YBBP-160M1-8	4	10.5	50.9	720	79.2	0.73	1.9	2.2	5-50Hz	50-100Hz	97	90	380	0.28	120	380	0.48
YBBP-160M2-8	5.5	13.9	70	720	81.4	0.74	1.9	2.2	5-50Hz	50-100Hz	100	90	380	0.28	120	380	0.48
YBBP-160L-8	7.5	18.3	95.5	720	83.1	0.75	1.9	2.2	5-50Hz	50-100Hz	135	90	380	0.28	120	380	0.48
YBBP-180L-8	11	26.2	140.1	730	85.0	0.75	1.9	2.2	5-50Hz	50-100Hz	180	105	380	0.28	180	380	0.65
YBBP-200L-8	15	34.8	191	730	86.2	0.76	1.9	2.2	5-50Hz	50-100Hz	240	130	380	0.31	250	380	0.83
YBBP-225S-8	18.5	42.6	235.6	730	86.9	0.76	1.9	2.2	5-50Hz	50-100Hz	295	180	380	0.55	250	380	0.83
YBBP-225M-8	22	49	280.1	730	87.4	0.78	1.9	2.2	5-50Hz	50-100Hz	325	180	380	0.55	250	380	0.83
YBBP-250M-8	30	65.3	382	735	88.3	0.79	1.9	2	5-50Hz	50-100Hz	390	250	380	0.58	370	380	1.17
YBBP-280S-8	37	80.1	471.1	735	88.8	0.79	1.8	2	5-50Hz	50-100Hz	535	370	380	0.7	550	380	1.57
YBBP-280M-8	45	97	573	735	89.2	0.79	1.8	2	5-50Hz	50-100Hz	595	370	380	0.7	550	380	1.57
YBBP-315S-8	55	115	700.3	735	89.7	0.81	1.8	2	5-50Hz	50-100Hz	915	600	380	1.65	750	380	2.03
YBBP-315M-8	75	156	955	735	90.3	0.81	1.8	2	5-50Hz	50-100Hz	1045	600	380	1.65	750	380	2.03
YBBP-315L1-8	90	184	1146	735	90.7	0.82	1.8	2	5-50Hz	50-100Hz	1080	600	380	1.65	750	380	2.03
YBBP-315L2-8	110	224	1400.7	735	91.1	0.82	1.8	2	5-50Hz	50-100Hz	1145	600	380	1.65	750	380	2.03
YBBP-355S-8	132	267	1681	740	91.5	0.82	1.8	2	5-50Hz	50-100Hz	1650	370	380	1.37	1100	380	2.9
YBBP-355M-8	160	323	2037	740	91.9	0.82	1.8	2	5-50Hz	50-100Hz	1750	370	380	1.37	1100	380	2.9
YBBP-355L1-8	185	371	2355	740	92.3	0.82	1.8	2	5-50Hz	50-100Hz	1820	370	380	1.37	1100	380	2.9
YBBP-355L2-8	200	396	2546	740	92.5	0.83	1.2	2	5-50Hz	50-100Hz	1895	370	380	1.37	1100	380	2.9
YBBP-315S-10	45	99.6	716.2	585	91.5	0.75	1.2	2	5-50Hz	50-100Hz	1950	600	380	1.65	750	380	2.03
YBBP-315M-10	55	121	875.3	585	92.0	0.75	1.2	2	5-50Hz	50-100Hz	2010	600	380	1.65	750	380	2.03
YBBP-315L1-10	75	162	1193.6	585	92.5	0.76	1.2	2	5-50Hz	50-100Hz	2050	600	380	1.65	750	380	2.03
YBBP-315L2-10	90	191	1432.4	585	93.0	0.77	1.2	2	5-50Hz	50-100Hz	2050	600	380	1.65	750	380	2.03
YBBP-355M1-10	110	230	1750.6	585	93.2	0.78	1.2	2	5-50Hz	50-100Hz	2210	370	380	1.37	1100	380	2.9
YBBP-355M2-10	132	275	2100.8	585	93.5	0.78	1.2	2	5-50Hz	50-100Hz	2260	370	380	1.37	1100	380	2.9
YBBP-355L1-10	160	333	2546.4	585	93.5	0.78	1.2	2	5-50Hz	50-100Hz	2290	370	380	1.37	1100	380	2.9
YBBP-355L2-10	185	385	3944.3	585	93.5	0.78	1.2	2	5-50Hz	50-100Hz	2350	370	380	1.37	1100	380	2.9

外形尺寸 Dimension drawings

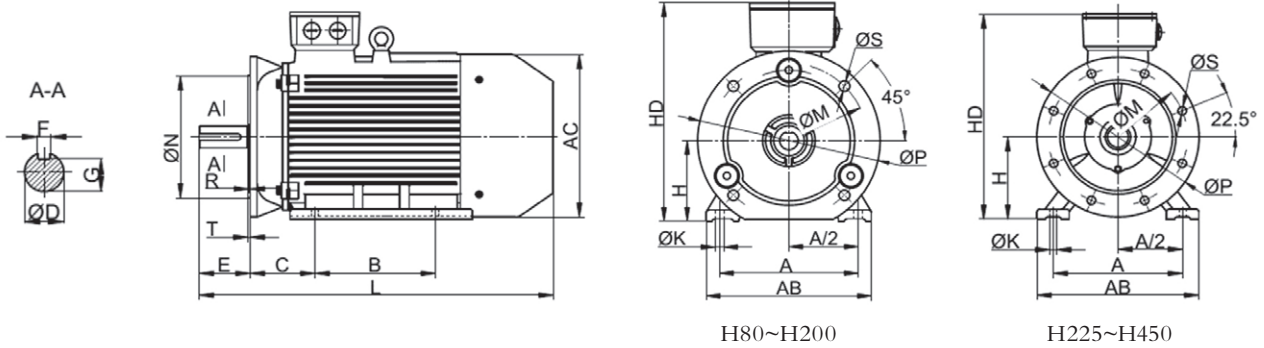
YE3、YE4、YE5

IM B3 安装结构形式



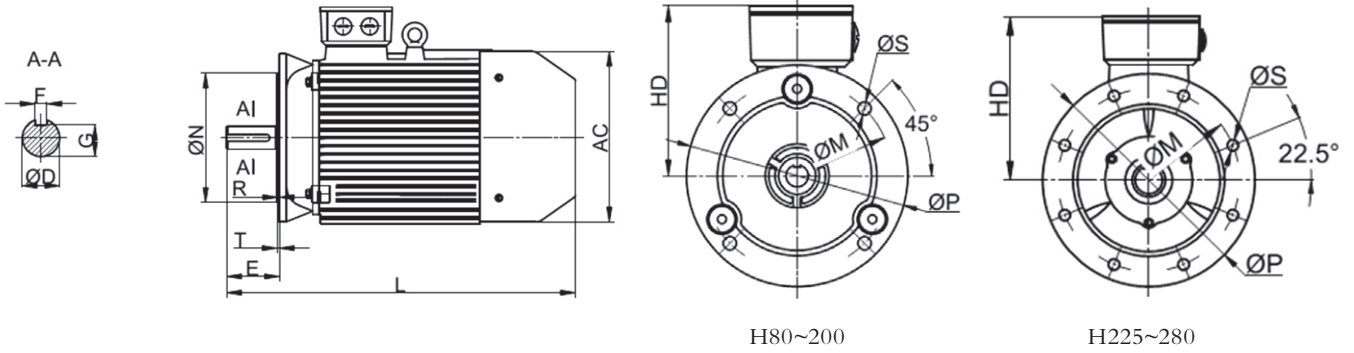
电机系列	机座号	极数 Poles	安装尺寸 (mm)										外形尺寸 (mm)			
			A	A/2	B	C	H	K	D	E	F	G	AB	AC	HD	L
YE3/YE4/YE5	80M	2、4、6	125	62.5	100	50	80	10	19	40	6	15.5	165	175	245	305
	90S	2、4、6	140	70	100	56	90	10	24	50	8	20	180	205	265	360
	90L	2、4、6	140	70	125	56	90	10	24	50	8	20	180	205	265	390
	100L	2、4、6、8	160	80	140	63	100	12	28	60	8	24	205	215	280	435
	112M	2、4、6、8	190	95	140	70	112	12	28	60	8	24	230	255	335	455
	132S	2、4、6、8	216	108	140	89	132	12	38	80	10	33	270	310	385	540
	132M	4、6、8	216	108	178	89	132	12	38	80	10	33	270	310	385	570
	160M	2、4、6、8	254	127	210	108	160	15	42	110	12	37	320	340	445	730
	160L	2、4、6、8	254	127	254	108	160	15	42	110	12	37	320	340	445	760
	180M	2、4	279	139.5	241	121	180	15	48	110	14	42.5	355	390	475	770
	180L	4、6、8	279	139.5	279	121	180	15	48	110	14	42.5	355	390	475	800
	200L	2、4、6、8	318	159	305	133	200	19	55	110	16	49	395	445	540	870
	225S	4、8	356	178	286	149	225	19	60	140	18	53	435	495	595	890
	225M	2	356	178	311	149	225	19	55	110	16	49	435	495	595	925
		4、6、8	356	178	311	149	225	19	60	140	18	53	435	495	595	925
	250M	2	406	203	349	168	250	24	60	140	18	53	490	550	655	990
		4、6、8	406	203	349	168	250	24	65	140	18	58	490	550	655	990
	280S	2	457	228.5	368	190	280	24	65	140	18	58	550	630	725	990
		4、6、8	457	228.5	368	190	280	24	75	140	20	67.5	550	630	725	990
	280M	2	457	228.5	419	190	280	24	65	140	18	58	550	630	725	1040
		4、6、8	457	228.5	419	190	280	24	75	140	20	67.5	550	630	725	1040
	315S	2	508	254	406	216	315	28	65	140	18	58	635	645	850	1230
		4、6、8、10	508	254	406	216	315	28	80	170	22	71	635	645	850	1290
	315M	2	508	254	457	216	315	28	65	140	18	58	635	645	850	1340
4、6、8、10		508	254	457	216	315	28	80	170	22	71	635	645	850	1340	
315L	2	508	254	508	216	315	28	65	140	18	58	635	645	850	1490	
	4、6、8、10	508	254	508	216	315	28	80	170	22	71	635	645	850	1490	
355M	2	610	305	560	254	355	28	75	140	20	67.5	730	730	1010	1535	
	4、6、8、10	610	305	560	254	355	28	95	170	25	86	730	730	1010	1535	
355L	2	610	305	630	254	355	28	75	140	20	67.5	730	730	1010	1745	
	4、6、8、10	610	305	630	254	355	28	95	170	25	86	730	730	1010	1745	
YE3/YE4	3551/2/3	2	630	315	800	224	355	35	80	170	22	71	760	770	1130	1870
		4、6、8、10	630	315	800	224	355	35	110	210	28	100	760	770	1130	1920
YE3	400	2	710	355	900	224	400	35	85	170	22	76	840	860	1260	1910
		4、6、8、10	710	355	900	224	400	35	120	210	32	109	840	860	1260	1975
YE3	450	2	800	400	1000	250	450	42	95	170	25	86	990	960	1380	2070
		4、6、8、10	800	400	1000	250	450	42	130	210	32	119	990	960	1380	2110

IM B35 安装结构形式



系列	机座号	极数	安装尺寸 (mm)													外形尺寸 (mm)						
			A	A/2	B	C	H	K	D	E	F	G	M	N	P	R	S	T	孔数	AB	AC	HD
YE3/YE4/YE5	80M	2, 4, 6	125	62.5	100	50	80	10	19	40	6	15.5	165	130	200	12	3.5	4	165	175	245	305
	90S	2, 4, 6	140	70	100	56	90	10	24	50	8	20	165	130	200	12	3.5	4	180	205	265	395
	90L	2, 4, 6	140	70	125	56	90	10	24	50	8	20	165	130	200	12	3.5	4	180	205	265	425
	100L	2, 4, 6, 8	160	80	140	63	100	12	28	60	8	24	215	180	250	15	4	4	205	215	280	435
	112M	2, 4, 6, 8	190	95	140	70	112	12	28	60	8	24	215	180	250	15	4	4	230	255	335	475
	132S	2, 4, 6, 8	216	108	140	89	132	12	38	80	10	33	265	230	300	15	4	4	270	320	385	540
	132M	2, 4, 6, 8	216	108	178	89	132	12	38	80	10	33	265	230	300	15	4	4	270	320	385	570
	160M	2, 4, 6, 8	254	127	210	108	160	15	42	110	12	37	300	250	350	19	5	4	320	350	445	730
	160L	2, 4, 6, 8	254	127	254	108	160	15	42	110	12	37	300	250	350	19	5	4	320	350	445	760
	180M	2, 4	279	139.5	241	121	180	15	48	110	14	42.5	300	250	350	19	5	4	355	390	475	805
	180L	4, 6, 8	279	139.5	279	121	180	15	48	110	14	42.5	300	250	350	19	5	4	355	390	475	835
	200L	2, 4, 6, 8	318	159	305	133	200	19	55	110	16	49	350	300	400	19	5	4	395	450	540	890
	225S	4, 8	356	178	286	149	225	19	60	140	18	53	400	350	450	19	5	4	435	510	595	890
	225M	2	356	178	311	149	225	19	55	110	16	49	400	350	450	19	5	4	435	510	595	925
		4, 6, 8	356	178	311	149	225	19	60	140	18	53	400	350	450	19	5	4	435	510	595	925
	250M	2	406	203	349	168	250	24	60	140	18	53	500	450	550	19	5	4	490	565	655	995
		4, 6, 8	406	203	349	168	250	24	65	140	18	58	500	450	550	19	5	4	490	565	655	995
	280S	2	457	228.5	368	190	280	24	65	140	18	58	500	450	550	0	19	5	550	635	725	1030
		4, 6, 8	457	228.5	368	190	280	24	75	140	20	67.5	500	450	550	0	19	5	550	635	725	1030
	280M	2	457	228.5	419	190	280	24	65	140	18	58	500	450	550	19	5	4	550	635	725	1080
		4, 6, 8	457	228.5	419	190	280	24	75	140	20	67.5	500	450	550	19	5	4	550	635	725	1080
	315S	2	508	254	406	216	315	28	65	140	18	58	600	550	660	24	6	4	635	645	850	1200
		4, 6, 8, 10	508	254	406	216	315	28	80	170	22	71	600	550	660	24	6	4	635	645	850	1290
	315M	2	508	254	457	216	315	28	65	140	18	58	600	550	660	24	6	4	635	645	850	1340
4, 6, 8, 10		508	254	457	216	315	28	80	170	22	71	600	550	660	24	6	4	635	645	850	1340	
315L	2	508	254	508	216	315	28	65	140	18	58	600	550	660	24	6	4	635	645	850	1490	
	4, 6, 8, 10	508	254	508	216	315	28	80	170	22	71	600	550	660	24	6	4	635	645	850	1490	
355M	2	610	305	560	254	355	28	75	140	20	67.5	740	680	800	24	6	4	730	720	1010	1535	
	4, 6, 8, 10	610	305	560	254	355	28	95	170	25	86	740	680	800	24	6	4	730	720	1010	1535	
355L	2	610	305	630	254	355	28	75	140	20	67.5	740	680	800	24	6	4	730	720	1010	1745	
	4, 6, 8, 10	610	305	630	254	355	28	95	170	25	86	740	680	800	24	6	4	730	720	1010	1745	
YE3/YE4	3551/2 /3	2	630	315	800	224	355	35	80	170	22	71	840	780	900	24	6	4	760	900	1130	1870
		4, 6, 8, 10	630	315	800	224	355	35	110	210	28	100	840	780	900	24	6	4	760	900	1130	1920
YE3	400	2	710	355	900	224	400	35	85	170	22	76	940	880	1000	28	6	4	840	1000	1260	1910
		4, 6, 8, 10	710	355	900	224	400	35	120	210	32	109	940	880	1000	28	6	4	840	1000	1260	1975
		2	800	400	1000	250	450	42	95	170	25	86	1080	1000	1150	28	6	4	990	1150	1380	2070
450	4, 6, 8, 10	800	400	1000	250	450	42	130	210	32	119	1080	1000	1150	28	6	4	990	1150	1380	2110	

IM B5 安装结构形式

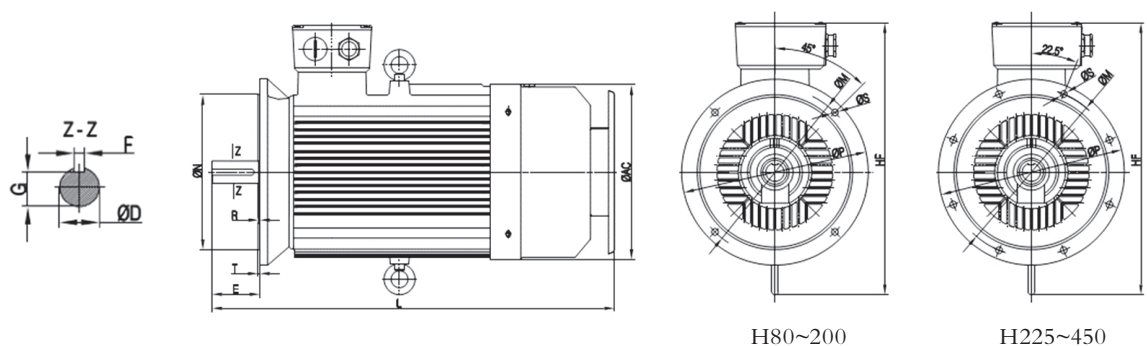


H80~200

H225~280

系列	机座号	极数	安装尺寸 (mm)											外形尺寸 (mm)		
			D	E	F	G	M	N	P	R	S	T	孔数	AC	HD	L
YE3/YE4/YE5	80M	2,4,6	19	40	6	15.5	165	130	200	0	12	3.5	4	175	135	305
	90S	2,4,6	24	50	8	20	165	130	200		12	3.5	4	205	175	395
	90L	2,4,6	24	50	8	20	165	130	200		12	3.5	4	205	175	425
	100L	2,4,6,8	28	60	8	24	215	180	250		15	4	4	215	165	435
	112M	2,4,6,8	28	60	8	24	215	180	250		15	4	4	255	205	475
	132S	2,4,6,8	38	80	10	33	265	230	300		15	4	4	310	235	540
	132M	4,6,8	38	80	10	33	265	230	300		15	4	4	310	235	570
	160M	2,4,6,8	42	110	12	37	300	250	350		19	5	4	340	255	730
	160L	2,4,6,8	42	110	12	37	300	250	350		19	5	4	340	255	760
	180M	2,4	48	110	14	42.5	300	250	350		19	5	4	390	305	805
	180L	4,6,8	48	110	14	42.5	300	250	350		19	5	4	390	305	835
	200L	2,4,6,8	55	110	16	49	350	300	400		19	5	4	445	350	890
	225S	4,8	60	140	18	53	400	350	450		19	5	8	495	375	890
	225M	2	55	110	16	49	400	350	450		19	5	8	495	375	895
		4,6,8	60	140	18	53	400	350	450		19	5	8	495	375	925
	250M	2	60	140	18	53	500	450	550		19	5	8	550	405	995
		4,6,8	65	140	18	58	500	450	550		19	5	8	550	405	995
	280S	2	65	140	18	58	500	450	550		19	5	8	630	495	1030
4,6,8		75	140	20	67.5	500	450	550	19	5	8	630	495	1030		
280M	2	65	140	18	58	500	450	550	19	5	8	630	495	1080		
	4,6,8	75	140	20	67.5	500	450	550	19	5	8	630	495	1080		

IM V1 安装结构形式



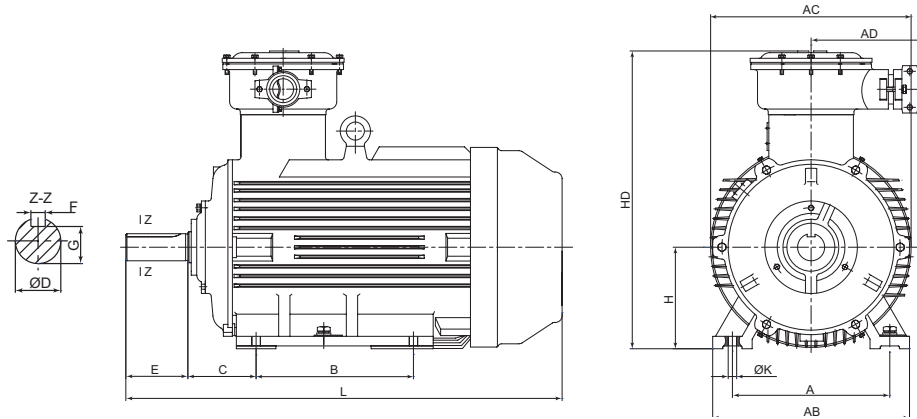
H80~200

H225~450

系列	机座号	极数	安装尺寸 (mm)										外形尺寸 (mm)			
			D	E	F	G	M	N	P	R	S	T	孔数	AC	HF	L
YE3/YE4/YE5	80M	2,4,6	19	40	6	15.5	165	130	200	0	12	3.5	4	175	240	350
	90S	2,4,6	24	50	8	20	165	130	200		12	3.5		205	260	380
	90L	2,4,6	24	50	8	20	165	130	200		12	3.5		205	260	400
	100L	2,4,6,8	28	60	8	24	215	180	250		15	4		215	300	440
	112M	2,4,6,8	28	60	8	24	215	180	250		15	4		255	320	460
	132S	2,4,6,8	38	80	10	33	265	230	300		15	4		310	360	540
	132M	4,6,8	38	80	10	33	265	230	300		15	4		310	360	570
	160M	2,4,6,8	42	110	12	37	300	250	350		19	5		340	490	690
	160L	2,4,6,8	42	110	12	37	300	250	350		19	5		340	490	760
	180M	2,4,6,8	48	110	14	42.5	300	250	350		19	5		390	505	825
	180L	2,4,6,8	48	110	14	42.5	300	250	350		19	5		390	505	845
	200L	2,4,6,8	55	110	16	49	350	300	400		19	5		445	565	940
	225S	4,8	60	140	18	53	400	350	450	19	5	495	625	980		
	225M	2	55	110	16	49	400	350	450	19	5	495	625	985		
		4,6,8	60	140	18	53	400	350	450	19	5	495	625	1015		
	250M	2	60	140	18	53	500	450	550	19	5	550	670	1095		
		4,6,8	65	140	18	58	500	450	550	19	5	550	670	1095		
	280S	2	65	140	18	58	500	450	550	8	19	5	630	745	1155	
		4,6,8	75	140	20	67.5	500	450	550		19	5	630	745	1155	
	280M	2	65	140	18	58	500	450	550		19	5	630	745	1195	
		4,6,8	75	140	20	67.5	500	450	550		19	5	630	745	1195	
	315S	2	65	140	18	58	600	550	660		24	6	645	910	1320	
		4,6,8,10	80	170	22	71	600	550	660		24	6	645	910	1400	
	315M	2	65	140	18	58	600	550	660		24	6	645	910	1430	
4,6,8,10		80	170	22	71	600	550	660	24		6	645	910	1460		
315L	2	65	140	18	58	600	550	660	24		6	645	900	1580		
	4,6,8,10	80	170	22	71	600	550	660	24		6	645	900	1460		
355M	2	75	140	20	67.5	740	680	800	24		6	720	1030	1645		
	4,6,8,10	95	170	25	86	740	680	800	24		6	720	1030	1675		
355L	2	75	140	20	67.5	740	680	800	24	6	720	1030	1855			
	4,6,8,10	95	170	25	86	740	680	800	24	6	720	1030	1885			
YE3/YE4	3551/2/3	2	80	170	22	71	840	780	900	24	6	900	1370	1920		
		4,6,8,10	110	210	28	100	840	780	900	24	6	900	1370	1970		
YE3	400	2	85	170	22	76	940	880	1000	28	6	1000	1530	1980		
		4,6,8,10	120	210	32	109	940	880	1000	28	6	1000	1530	2025		
		2	95	170	25	86	1080	1000	1150	28	6	1150	1700	2120		
		4,6,8,10	130	210	32	119	1080	1000	1150	28	6	1150	1700	2160		

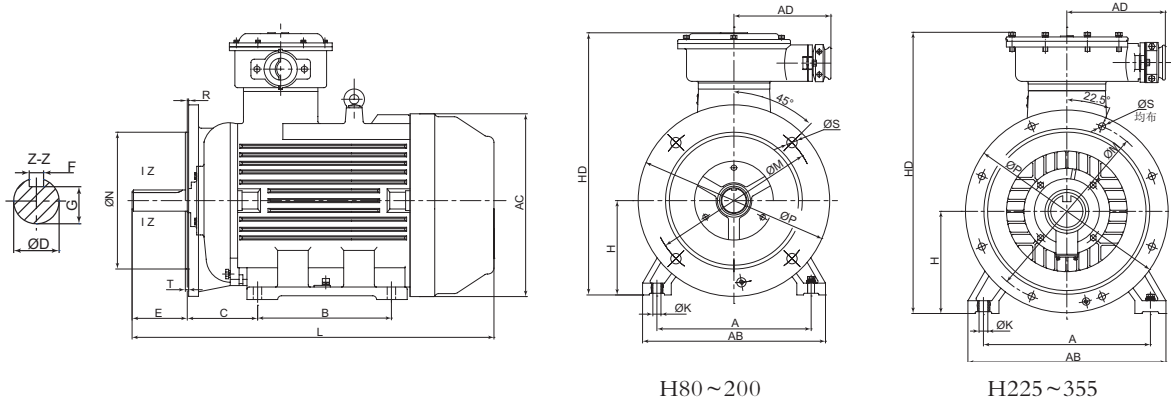
YBX3、YBX4

IM B3 安装结构形式



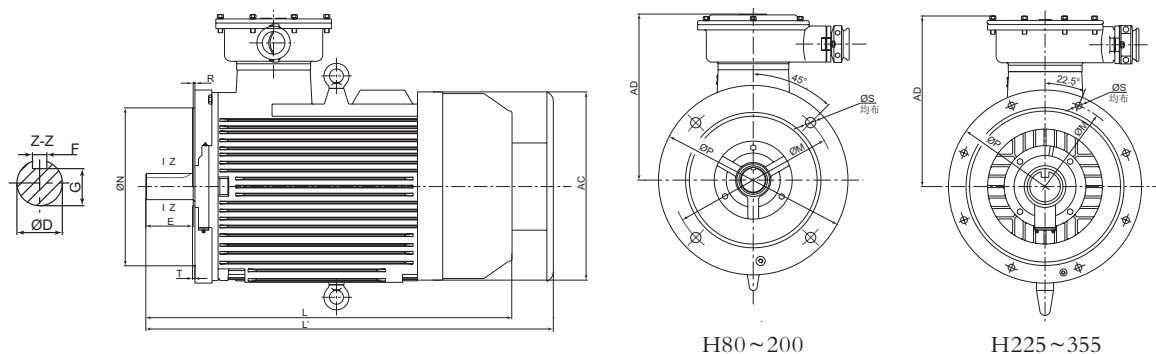
机座号 Frame	极数 Poles	安装尺寸 (mm)									外形尺寸 (mm)				
		A	B	C	D	E	F	G	H	K	AB	AC	AD	HD	L
80M	2,4,6,8	125	100	50	19	40	6	15.5	80	10	165	170	205	320	365
90S	2,4,6,8	140	100	56	24	50	8	20	90	10	180	190	205	350	390
90L	2,4,6,8	140	125	56	24	50	8	20	90	10	180	190	205	350	420
100L	2,4,6,8	160	140	63	28	60	8	24	100	12	205	210	205	400	490
112M	2,4,6,8	190	140	70	28	60	8	24	112	12	245	240	205	420	525
132S	2,4,6,8	216	140	89	38	80	10	33	132	12	280	295	205	450	570
132M	4,6,8	216	178	89	38	80	10	33	132	12	280	295	205	450	615
160M	2,4,6,8	254	210	108	42	110	12	37	160	15	330	330	265	520	755
160L	2,4,6,8	254	254	108	42	110	12	37	160	15	330	330	265	520	795
180M	2,4	279	241	121	48	110	14	42.5	180	15	355	365	265	550	810
180L	4,6,8	279	279	121	48	110	14	42.5	180	15	355	365	265	550	840
200L	2,4,6,8	318	305	133	55	110	16	49	200	19	395	415	300	610	895
225S	4,8	356	286	149	60	140	18	53	225	19	435	465	300	660	945
225M	2	356	311	149	55	110	16	49	225	19	435	465	300	660	980
225M	4,6,8	356	311	149	60	140	18	53	225	19	435	465	300	660	980
250M	2	406	349	168	60	140	18	53	250	24	495	500	380	735	1000
250M	4,6,8	406	349	168	65	140	18	58	250	24	495	500	380	735	1000
280S	2	457	368	190	65	140	18	58	280	24	550	560	380	810	1050
280S	4,6,8	457	368	190	75	140	20	67.5	280	24	550	560	380	810	1050
280M	2	457	419	190	65	140	18	58	280	24	550	560	380	810	1085
280M	4,6,8	457	419	190	75	140	20	67.5	280	24	550	560	380	810	1085
315S	2	508	406	216	65	140	18	58	315	28	640	630	510	910	1220
315S	4,6,8,10	508	406	216	80	170	22	71	315	28	640	630	510	910	1220
315M	2	508	457	216	65	140	18	58	315	28	640	630	510	910	1460
315M	4,6,8,10	508	457	216	80	170	22	71	315	28	640	630	510	910	1460
315L	2	508	508	216	65	140	18	58	315	28	640	630	510	910	1460
315L	4,6,8,10	508	508	216	80	170	22	71	315	28	640	630	510	910	1460
355S	2	610	500	254	75	140	20	67.5	355	28	750	750	510	1080	1510
355S	4,6,8,10	610	500	254	95	170	25	86	355	28	750	750	510	1080	1510
355M	2	610	560	254	75	140	20	67.5	355	28	750	750	510	1080	1550
355M	4,6,8,10	610	560	254	95	170	25	86	355	28	750	750	510	1080	1550
355L	2	610	630	254	75	140	20	67.5	355	28	750	750	510	1080	1700
355L	4,6,8,10	610	630	254	95	170	25	86	355	28	750	750	510	1080	1700

IM B35 安装结构形式



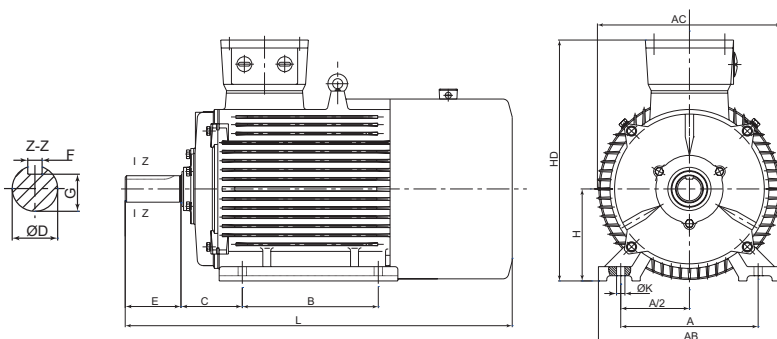
机座号 Frame	极数 Poles	安装尺寸 (mm)														外形尺寸 (mm)						
		A	B	C	D	E	F	G	H	K	M	N	P	R	S	T	凸缘 孔数 Holes	AB	AC	AD	HD	L
80M	2,4,6,8	125	100	50	19	40	6	15.5	80	10	165	130	200		12	3.5	4	165	170	205	320	365
90S	2,4,6,8	140	100	56	24	50	8	20	90	10	165	130	200		12	3.5	4	180	190	205	350	390
90L	2,4,6,8	140	125	56	24	50	8	20	90	10	165	130	200		12	3.5	4	180	190	205	350	420
100L	2,4,6,8	160	140	63	28	60	8	24	100	12	215	180	250		15	4	4	205	210	205	400	490
112M	2,4,6,8	190	140	70	28	60	8	24	112	12	215	180	250		15	4	4	245	240	205	420	525
132S	2,4,6,8	216	140	89	38	80	10	33	132	12	265	230	300		15	4	4	280	295	205	450	570
132M	4,6,8	216	178	89	38	80	10	33	132	12	265	230	300		15	4	4	280	295	205	450	615
160M	2,4,6,8	254	210	108	42	110	12	37	160	15	300	250	350		19	5	4	330	330	265	520	755
160L	2,4,6,8	254	254	108	42	110	12	37	160	15	300	250	350		19	5	4	330	330	265	520	795
180M	2,4	279	241	121	48	110	14	42.5	180	15	300	250	350		19	5	4	355	365	265	550	810
180L	4,6,8	279	279	121	48	110	14	42.5	180	15	300	250	350		19	5	4	355	365	265	550	840
200L	2,4,6,8	318	305	133	55	110	16	49	200	19	350	300	400		19	5	4	395	415	300	610	895
225S	4,8	356	286	149	60	140	18	53	225	19	400	350	450		19	5	8	435	465	300	660	945
225M	2	356	311	149	55	110	16	49	225	19	400	350	450		19	5	8	435	465	300	660	980
225M	4,6,8	356	311	149	60	140	18	53	225	19	400	350	450		19	5	8	435	465	300	660	980
250M	2	406	349	168	60	140	18	53	250	24	500	450	550		19	5	8	495	500	380	735	1000
250M	4,6,8	406	349	168	65	140	18	58	250	24	500	450	550	0	19	5	8	495	500	380	735	1000
280S	2	457	368	190	65	140	18	58	280	24	500	450	550		19	5	8	550	560	380	810	1050
280S	4,6,8	457	368	190	75	140	20	67.5	280	24	500	450	550		19	5	8	550	560	380	810	1050
280M	2	457	419	190	65	140	18	58	280	24	500	450	550		19	5	8	550	560	380	810	1085
280M	4,6,8	457	419	190	75	140	20	67.5	280	24	500	450	550		19	5	8	550	560	380	810	1085
315S	2	508	406	216	65	140	18	58	315	28	600	550	660		24	6	8	640	630	510	910	1220
315S	4,6,8,10	508	406	216	80	170	22	71	315	28	600	550	660		24	6	8	640	630	510	910	1220
315M	2	508	457	216	65	140	18	58	315	28	600	550	660		24	6	8	640	630	510	910	1460
315M	4,6,8,10	508	457	216	80	170	22	71	315	28	600	550	660		24	6	8	640	630	510	910	1460
315L	2	508	508	216	65	140	18	58	315	28	600	550	660		24	6	8	640	630	510	910	1460
315L	4,6,8,10	508	508	216	80	170	22	71	315	28	600	550	660		24	6	8	640	630	510	910	1460
355S	2	610	500	254	75	140	20	67.5	355	28	740	680	800		24	6	8	750	750	510	1080	1510
355S	4,6,8,10	610	500	254	95	170	25	86	355	28	740	680	800		24	6	8	750	750	510	1080	1510
355M	2	610	560	254	75	140	20	67.5	355	28	740	680	800		24	6	8	750	750	510	1080	1550
355M	4,6,8,10	610	560	254	95	170	25	86	355	28	740	680	800		24	6	8	750	750	510	1080	1550
355L	2	610	630	254	75	140	20	67.5	355	28	740	680	800		24	6	8	750	750	510	1080	1700
355L	4,6,8,10	610	630	254	95	170	25	86	355	28	740	680	800		24	6	8	750	750	510	1080	1700

IM B5 或 IM V1 安装结构形式



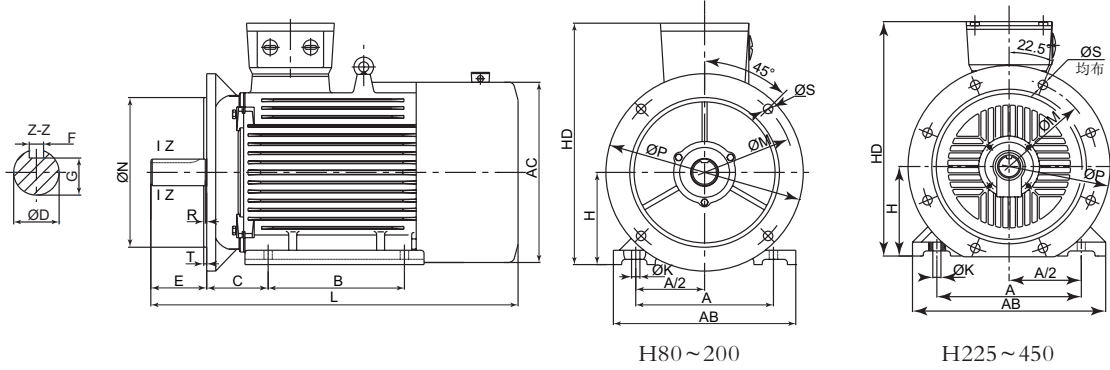
机座号 Frame	极数 Poles	安装尺寸 (mm)											外形尺寸 (mm)			
		D	E	F	G	M	N	P	R	S	T	凸缘 孔数 Holes	AC	AD	L(B5)	L'(V1)
80M	2,4,6,8	19	40	6	15.5	165	130	200	0	12	3.5	4	170	240	365	445
90S	2,4,6,8	24	50	8	20	165	130	200		12	3.5	4	190	260	390	470
90L	2,4,6,8	24	50	8	20	165	130	200		12	3.5	4	190	260	420	500
100L	2,4,6,8	28	60	8	24	215	180	250		15	4	4	210	300	490	570
112M	2,4,6,8	28	60	8	24	215	180	250		15	4	4	240	308	525	605
132S	2,4,6,8	38	80	10	33	265	230	300		15	4	4	295	318	570	650
132M	4,6,8	38	80	10	33	265	230	300		15	4	4	295	318	615	695
160M	2,4,6,8	42	110	12	37	300	250	350		19	5	4	330	360	755	835
160L	2,4,6,8	42	110	12	37	300	250	350		19	5	4	330	360	795	875
180M	2,4	48	110	14	42.5	300	250	350		19	5	4	365	370	810	890
180L	6,8	48	110	14	42.5	300	250	350		19	5	4	365	370	840	920
200L	2,4,6,8	55	110	16	49	350	300	400		19	5	4	415	410	895	975
225S	4, 8	60	140	18	53	400	350	450		19	5	8	465	435	945	1025
225M	2	55	110	16	49	400	350	450		19	5	8	465	435	980	1060
225M	4,6,8	60	140	18	53	400	350	450		19	5	8	465	435	980	1060
250M	2	60	140	18	53	500	450	550		19	5	8	500	485	1000	1080
250M	4,6,8	65	140	18	58	500	450	550		19	5	8	500	485	1000	1080
280S	2	65	140	18	58	500	450	550		19	5	8	560	530	1050	1130
280S	4,6,8	75	140	20	67.5	500	450	550		19	5	8	560	530	1050	1130
280M	2	65	140	18	58	500	450	550		19	5	8	560	530	1085	1165
280M	4,6,8	75	140	20	67.5	500	450	550		19	5	8	560	530	1085	1165
315S	2	65	140	18	58	600	550	660		24	6	8	630	595	—	1300
315S	4,6,8,10	80	170	22	71	600	550	660		24	6	8	630	595	—	1300
315M	2	65	140	18	58	600	550	660		24	6	8	630	595	—	1540
315M	4,6,8,10	80	170	22	71	600	550	660		24	6	8	630	595	—	1540
315L	2	65	140	18	58	600	550	660		24	6	8	630	595	—	1540
315L	4,6,8,10	80	170	22	71	600	550	660		24	6	8	630	595	—	1540
355S	2	75	140	20	67.5	740	680	800		24	6	8	750	725	—	1590
355S	4,6,8,10	95	170	25	86	740	680	800		24	6	8	750	725	—	1590
355M	2	75	140	20	67.5	740	680	800		24	6	8	750	725	—	1630
355M	4,6,8,10	95	170	25	86	740	680	800		24	6	8	750	725	—	1630
355L	2	75	140	20	67.5	740	680	800		24	6	8	750	725	—	1780
355L	4,6,8,10	95	170	25	86	740	680	800	24	6	8	750	725	—	1780	

IM B3 安装结构形式



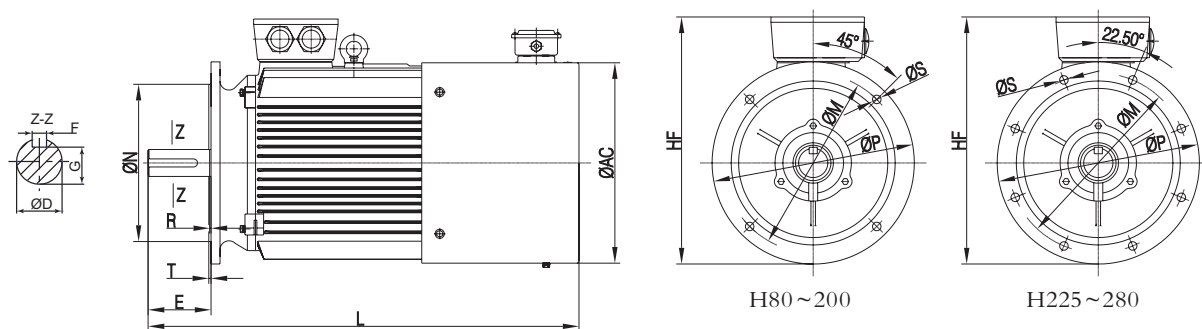
机座号 Frame	极数 Poles	安装尺寸 (mm)									外形尺寸 (mm)			
		A	B	C	D	E	F	G	H	K	AB	AC	HD	L
80M	2,4	125	100	50	19	40	6	15.5	80	10	165	175	220	360
90S	2,4,6	140	100	56	24	50	8	20	90	10	180	195	260	430
90L	2,4,6	140	125	56	24	50	8	20	90	10	180	195	260	460
100L	2,4,6	160	140	63	28	60	8	24	100	12	205	215	275	500
112M	2,4,6	190	140	70	28	60	8	24	112	12	230	240	300	530
132S	2,4,6,8	216	140	89	38	80	10	33	132	12	270	275	345	560
132M	4,6,8	216	178	89	38	80	10	33	132	12	270	275	345	610
160M	2,4,6,8	254	210	108	42	110	12	37	160	14.5	320	330	420	740
160L	2,4,6,8	254	254	108	42	110	12	37	160	14.5	320	330	420	780
180M	2,4	279	241	121	48	110	14	42.5	180	14.5	355	380	455	820
180L	4,6,8	279	279	121	48	110	14	42.5	180	14.5	355	380	455	820
200L	2,4,6,8	318	305	133	55	110	16	49	200	18.5	395	420	505	895
225S	4,8	356	286	149	60	140	18	53	225	18.5	435	470	560	915
225M	2	356	311	149	55	110	16	49	225	18.5	435	470	560	900
225M	4,6,8	356	311	149	60	140	18	53	225	18.5	435	470	560	930
250M	2	406	349	168	60	140	18	53	250	24	490	510	615	990
250M	4,6,8	406	349	168	65	140	18	58	250	24	490	510	615	1030
280S	2	457	368	190	65	140	18	58	280	24	550	580	680	1135
280S	4,6,8	457	368	190	75	140	20	67.5	280	24	550	580	680	1135
280M	2	457	419	190	65	140	18	58	280	24	550	580	680	1185
280M	4,6,8	457	419	190	75	140	20	67.5	280	24	550	580	680	1185
315S	2	508	406	216	65	140	18	58	315	28	635	645	845	1235
315S	4,6,8,10	508	406	216	80	170	22	71	315	28	635	645	845	1345
315M	2	508	457	216	65	140	18	58	315	28	635	645	845	1265
315M	4,6,8,10	508	457	216	80	170	22	71	315	28	635	645	845	1375
315L	2	508	508	216	65	140	18	58	315	28	635	645	845	1265
315L	4,6,8,10	508	508	216	80	170	22	71	315	28	635	645	845	1480
355M	2	610	560	254	75	140	20	67.5	355	28	730	710	1010	1560
355M	4,6,8,10	610	560	254	95	170	25	86	355	28	730	710	1010	1770
355L	2	610	630	254	75	140	20	67.5	355	28	730	710	1010	1560
355L	4,6,8,10	610	630	254	95	170	25	86	355	28	730	710	1010	1870
3551/2/3	2	630	800	224	80	170	22	71	355	35	760	770	1130	2270
3551/2/3	4,6,8,10	630	800	224	110	210	28	100	355	35	760	770	1130	2320
400	2	710	900	224	85	170	22	76	400	35	840	860	1260	2310
400	4,6,8,10	710	900	224	120	210	32	109	400	35	840	860	1260	2375
450	2	800	1000	250	95	170	25	86	450	42	990	960	1380	2470
450	4,6,8,10	800	1000	250	130	210	32	119	450	42	990	960	1380	2510

IM B35 安装结构形式



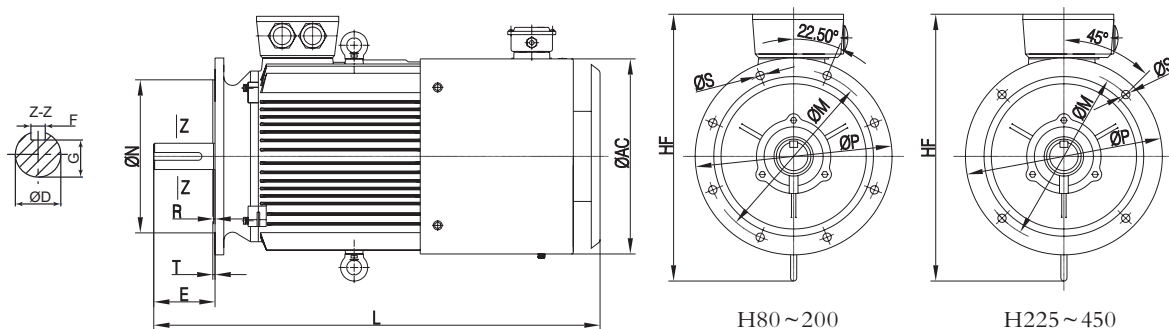
机座号 Frame	凸缘号 Flange No.	极数 Poles	安装尺寸 (mm)														外形尺寸 (mm)				
			A	B	C	D	E	F	G	H	K	M	N	P	R	S	T	AB	AC	HD	L
80	FF165	2,4	125	100	50	19	40	6	15.5	80	10	165	130	200	0	12	3.5	165	175	220	360
90S		2,4,6	140	100	56	24	50	8	20	90	10	165	130	200		12	3.5	180	195	260	430
90L		2,4,6	140	125	56	24	50	8	20	90	10	165	130	200		12	3.5	180	195	260	460
100L	FF215	2,4,6	160	140	63	28	60	8	24	100	12	215	180	250	0	15	4	205	215	270	500
112M		2,4,6	190	140	70	28	60	8	24	112	12	215	180	250		15	4	245	240	300	530
132S	FF265	2,4,6,8	216	140	89	38	80	10	33	132	12	265	230	300	0	15	4	280	275	345	560
132M		4,6,8	216	178	89	38	80	10	33	132	12	265	230	300		15	4	280	275	345	610
160M	FF300	2,4,6,8	254	210	108	42	110	12	37	160	14.5	300	250	350	0	19	5	330	335	420	710
160L	FF300	2,4,6,8	254	254	108	42	110	12	37	160	14.5	300	250	350	0	19	5	330	335	420	740
180M		2,4	279	241	121	48	110	14	42.5	180	14.5	300	250	350		19	5	355	380	455	770
180L		4,6,8	279	279	121	48	110	14	42.5	180	14.5	300	250	350		19	5	355	380	455	820
200L	FF350	2,4,6,8	318	305	133	55	110	16	49	200	18.5	350	300	400	0	19	5	395	420	505	885
225S	FF400	4,8	356	286	149	60	140	18	53	225	18.5	400	350	450	0	19	5	435	475	560	915
225M		2	356	311	149	55	110	16	49	225	18.5	400	350	450		19	5	435	475	560	940
225M		4,6,8	356	311	149	60	140	18	53	225	18.5	400	350	450		19	5	435	475	560	940
250M	FF500	2	406	349	168	60	140	18	53	250	24	500	450	550	0	19	5	490	515	615	1020
250M		4,6,8	406	349	168	65	140	18	58	250	24	500	450	550		19	5	490	515	615	1020
280S		2	457	368	190	65	140	18	58	280	24	500	450	550		19	5	550	585	680	1135
280S		4,6,8	457	368	190	75	140	20	67.5	280	24	500	450	550		19	5	550	585	680	1135
280M		2	457	419	190	65	140	18	58	280	24	500	450	550		19	5	550	585	680	1185
280M		4,6,8	457	419	190	75	140	20	67.5	280	24	500	450	550		19	5	550	585	680	1185
315S	FF600	2	508	406	216	65	140	18	58	315	28	600	550	660	0	24	6	635	660	845	1350
315S		4,6,8,10	508	406	216	80	170	22	71	315	28	600	550	660		24	6	635	660	845	1350
315M		2	508	457	216	65	140	18	58	315	28	600	550	660		24	6	635	660	845	1370
315M		4,6,8,10	508	457	216	80	170	22	71	315	28	600	550	660		24	6	635	660	845	1370
315L		2	508	508	216	65	140	18	58	315	28	600	550	660		24	6	635	660	845	1390
315L		4,6,8,10	508	508	216	80	170	22	71	315	28	600	550	660		24	6	635	660	845	1390
355M	FF740	2	610	560	254	75	140	20	67.5	355	28	740	680	800	0	24	6	730	710	1010	1580
355M		4,6,8,10	610	560	254	95	170	25	86	355	28	740	680	800		24	6	730	710	1010	1580
355L		2	610	630	254	75	140	20	67.5	355	28	740	680	800		24	6	730	710	1010	1580
355L	FF740	4,6,8,10	610	630	254	95	170	25	86	355	28	740	680	800	0	24	6	730	710	1010	1580
3551/2/3	FF840	2	630	800	224	80	170	22	71	355	35	840	780	900	0	24	6	760	900	1130	2270
3551/2/3		4,6,8,10	630	800	224	110	210	28	100	355	35	840	780	900		24	6	760	900	1130	2320
400	FF940	2	710	900	224	85	170	22	76	400	35	940	880	1000	0	28	6	840	1000	1255	2310
400		4,6,8,10	710	900	224	120	210	32	109	400	35	940	880	1000		28	6	840	1000	1255	2375
450	FF1080	2	800	1000	250	95	170	25	86	450	42	1080	1000	1150	0	28	6	990	1150	1380	2470
450		4,6,8,10	800	1000	250	130	210	32	119	450	42	1080	1000	1150		28	6	990	1150	1380	2510

IM B5 安装结构形式



机座号 Frame	极数 Poles	安装尺寸 (mm)											外形尺寸 (mm)		
		D	E	F	G	M	N	P	R	S	T	孔数 (Holes)	AC	HF	L
80	2,4	19	40	6	15.5	165	130	200	0	12	3.5	4	175	220	410
90S	2,4,6	24	50	8	20	165	130	200		12	3.5		195	240	440
90L	2,4,6	24	50	8	20	165	130	200		12	3.5		195	240	510
100L	2,4,6	28	60	8	24	215	180	250		15	4		215	275	550
112M	2,4,6	28	60	8	24	215	180	250		15	4		240	295	580
132S	2,4,6,8	38	80	10	33	265	230	300		15	4		275	390	610
132M	4,6,8	38	80	10	33	265	230	300		15	4		275	390	660
160M	2,4,6,8	42	110	12	37	300	250	350		19	5		330	460	810
160L	2,4,6,8	42	110	12	37	300	250	350		19	5		330	460	840
180M	2,4	48	110	14	42.5	300	250	350		19	5		380	485	870
180L	4,6,8	48	110	14	42.5	300	250	350		19	5		380	485	920
200L	2,4,6,8	55	110	16	49	350	300	400		19	5		420	535	960
225S	4,8	60	140	18	53	400	350	450		19	5		470	590	1015
225M	2	55	110	16	49	400	350	450		19	5		470	590	1000
	4,6,8	60	140	18	53	400	350	450	19	5	470	590	1040		
250M	2	65	140	18	53	500	450	550	19	5	510	675	1130		
	4,6,8	65	140	18	58	500	450	550	19	5	510	675	1130		
280S	2	65	140	18	58	500	450	550	19	5	580	715	1235		
	4,6,8	75	140	20	67.5	500	450	550	19	5	580	715	1235		
280M	2	65	140	18	58	500	450	550	19	5	580	715	1285		
	4,6,8	75	140	20	67.5	500	450	550	19	5	580	715	1285		

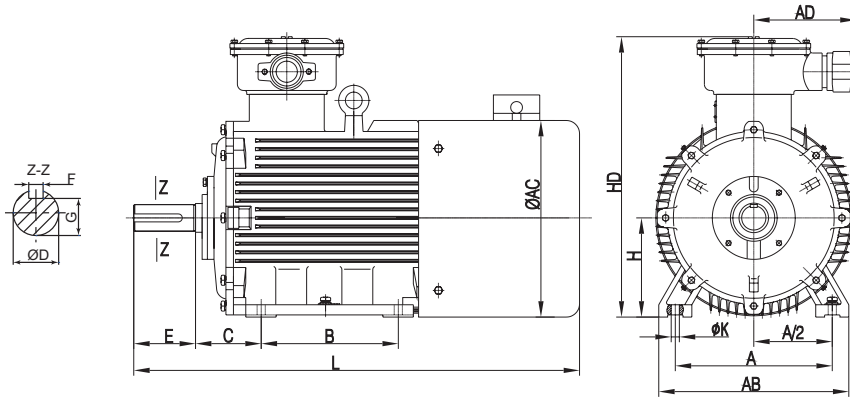
IM V1 安装结构形式



机座号 Frame	极数 Poles	安装尺寸(mm)											外形尺寸(mm)		
		D	E	F	G	M	N	P	R	S	T	孔数 (Holes)	AC	HF	L
80	2,4	19	40	6	15.5	165	130	200		12	3.5	4	175	220	410
90S	2,4,6	24	50	8	20	165	130	200		12	3.5		195	240	440
90L	2,4,6	24	50	8	20	165	130	200		12	3.5		195	240	510
100L	2,4,6	28	60	8	24	215	180	250		15	4		215	275	550
112M	2,4,6	28	60	8	24	215	180	250		15	4		240	295	580
132S	2,4,6,8	38	80	10	33	265	230	300		15	4		275	390	610
132M	4,6,8	38	80	10	33	265	230	300		15	4		275	390	660
160M	2,4,6,8	42	110	12	37	300	250	350		19	5		330	460	810
160L	2,4,6,8	42	110	12	37	300	250	350		19	5		330	460	840
180M	2,4	48	110	14	42.5	300	250	350		19	5		380	485	870
180L	4,6,8	48	110	14	42.5	300	250	350		19	5		380	485	920
200L	2,4,6,8	55	110	16	49	350	300	400		19	5		420	535	960
225S	4,8	60	140	18	53	400	350	450		19	5	470	590	1015	
225M	2	55	110	16	49	400	350	450		19	5	470	590	1000	
	4,6,8	60	140	18	53	400	350	450		19	5	470	590	1040	
250M	2	65	140	18	53	500	450	550		19	5	510	675	1130	
	4,6,8	65	140	18	58	500	450	550		19	5	510	675	1130	
280S	2	65	140	18	58	500	450	550	0	19	5	580	715	1235	
	4,6,8	75	140	20	67.5	500	450	550		19	5	580	715	1235	
280M	2	65	140	18	58	500	450	550		19	5	580	715	1285	
	4,6,8	75	140	20	67.5	500	450	550		19	5	580	715	1285	
315S	2	65	140	18	58	600	550	660		24	6	645	900	1335	
	4,6,8,10	80	170	22	71	600	550	660		24	6	645	900	1455	
315M	2	65	140	18	58	600	550	660		24	6	645	900	1365	
	4,6,8,10	80	170	22	71	600	550	660		24	6	645	900	1485	
315L	2	65	140	18	58	600	550	660		24	6	645	900	1365	
	4,6,8,10	80	170	22	71	600	550	660		24	6	645	900	1485	
355M	2	75	140	20	67.5	740	680	800		24	6	710	1010	1700	
	4,6,8,10	95	170	25	86	740	680	800		24	6	710	1010	1750	
355L	2	75	140	20	67.5	740	680	800		24	6	710	1010	1700	
	4,6,8,10	95	170	25	86	740	680	800		24	6	710	1010	1750	
3551/2/3	2	80	170	22	71	840	780	900		24	6	900	1370	2320	
	4,6,8,10	110	210	28	100	840	780	900		24	6	900	1370	2370	
400	2	85	170	22	76	940	880	1000		28	6	1000	1530	2360	
	4,6,8,10	120	210	32	109	940	880	1000		28	6	1000	1530	2430	
450	2	95	170	25	86	1080	1000	1150		28	6	1150	1700	2550	
	4,6,8,10	130	210	32	119	1080	1000	1150		28	6	1150	1700	2590	

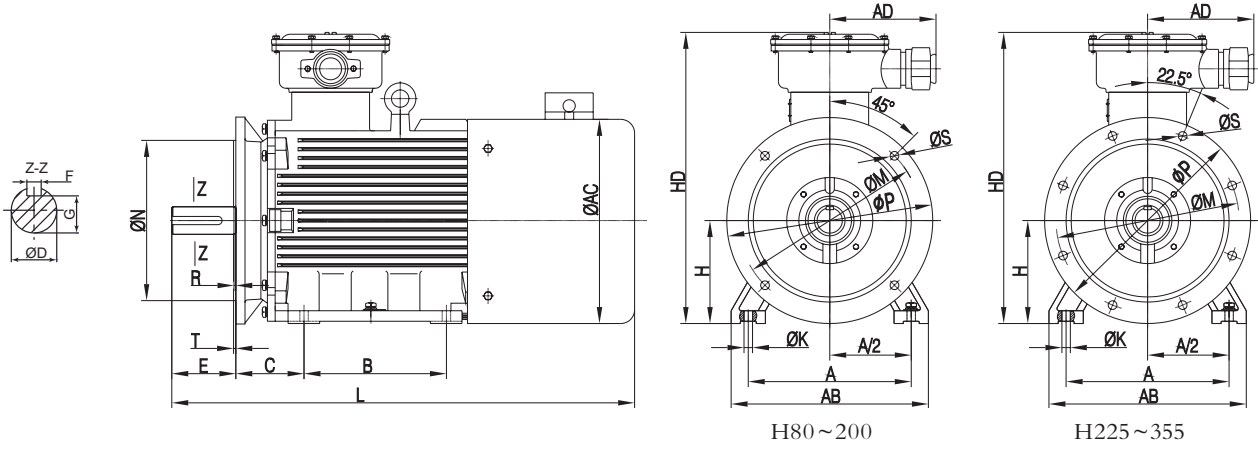
YBBP

IM B3 安装结构形式



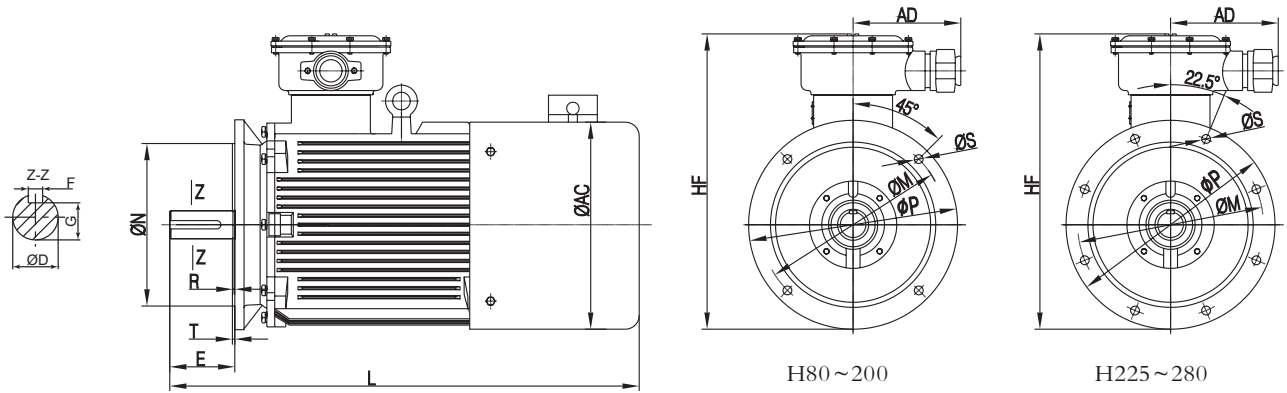
机座号 Frame	极数 Poles	安装尺寸(mm)										外形尺寸(mm)				
		A	A/2	B	C	H	K	D	E	F	G	AB	AC	AD	HD	L
80M	2,4	125	62.5	100	50	80	10	19	40	6	15.5	165	165	180	320	330
90S	2,4,6	140	70	100	56	90	10	24	50	8	20	180	180	180	350	360
90L	2,4,6	140	70	125	56	90	10	24	50	8	20	180	180	180	350	385
100L	2,4,6,8	160	80	140	63	100	12	28	60	8	24	200	205	180	400	440
112M	2,4,6,8	190	95	140	70	112	12	28	60	8	24	245	230	200	420	460
132S	2,4,6,8	216	108	140	89	132	12	38	80	10	33	280	270	200	450	510
132M	4,6,8	216	108	178	89	132	12	38	80	10	33	280	270	200	450	550
160M	2,4,6,8	254	127	210	108	160	14.5	42	110	12	37	330	325	220	520	670
160L	2,4,6,8	254	127	254	108	160	14.5	42	110	12	37	330	325	220	520	710
180M	2,4	279	139.5	241	121	180	14.5	48	110	14	42.5	355	360	220	550	730
180L	4,6,8	279	139.5	279	121	180	14.5	48	110	14	42.5	355	360	220	550	750
200L	2,4,6,8	318	159	305	133	200	18.5	55	110	16	49	390	400	250	645	805
225S	4,8	356	178	286	149	225	18.5	60	140	18	53	435	450	250	690	865
225M	2	356	178	311	149	225	18.5	55	110	16	49	435	450	250	690	860
	4,6,8	356	178	311	149	225	18.5	60	140	18	53	435	450	250	690	890
250M	2	406	203	349	168	250	24	60	140	18	53	490	500	300	730	945
	4,6,8	406	203	349	168	250	24	65	140	18	58	490	500	300	730	945
280S	2	457	228.5	368	190	280	24	65	140	18	58	545	560	300	810	1010
	4,6,8	457	228.5	368	190	280	24	75	140	20	67.5	545	560	300	810	1010
280M	2	457	228.5	419	190	280	24	65	140	18	58	545	560	300	810	1060
	4,6,8	457	228.5	419	190	280	24	75	140	20	67.5	545	560	300	810	1060
315S	2	508	254	406	216	315	28	65	140	18	58	640	630	400	1020	1320
	4,6,8,10	508	254	406	216	315	28	80	170	22	71	640	630	400	1020	1350
315M	2	508	254	457	216	315	28	65	140	18	58	640	630	400	1020	1350
	4,6,8,10	508	254	457	216	315	28	80	170	22	71	640	630	400	1020	1380
315L	2	508	254	508	216	315	28	65	140	18	58	640	630	400	1020	1490
	4,6,8,10	508	254	508	216	315	28	80	170	22	71	640	630	400	1020	1520
355S	2	610	305	500	254	355	28	75	140	20	67.5	740	750	500	1080	1570
	4,6,8,10	610	305	500	254	355	28	95	170	25	86	740	750	500	1080	1570
355M	2	610	305	560	254	355	28	75	140	20	67.5	740	750	500	1080	1650
	4,6,8,10	610	305	560	254	355	28	95	170	25	86	740	750	500	1080	1650
355L	2	610	305	630	254	355	28	75	140	20	67.5	740	750	500	1080	1750
	4,6,8,10	610	305	630	254	355	28	95	170	25	86	740	750	500	1080	1750

IM B35 安装结构形式



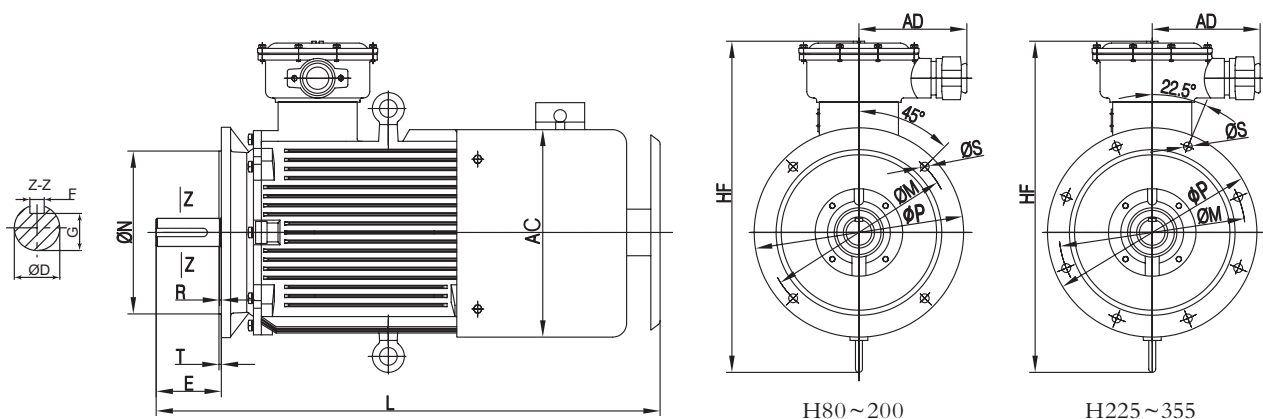
机座号 Frame	极数 Poles	安装尺寸(mm)														外形尺寸(mm)							
		A	A/2	B	C	H	K	D	E	F	G	M	N	P	R	S	T	孔数 (Holes)	AB	AC	AD	HD	L
80M	2,4	125	62.5	100	50	80	10	19	40	6	15.5	165	130	200		12	3.5		165	165	180	320	330
90S	2,4,6	140	70	100	56	90	10	24	50	8	20	165	130	200		12	3.5		180	180	180	350	360
90L	2,4,6	140	70	125	56	90	10	24	50	8	20	165	130	200		12	3.5		180	180	180	350	385
100L	2,4,6,8	160	80	140	63	100	12	28	60	8	24	215	180	250		14.5	4		200	205	180	400	440
112M	2,4,6,8	190	95	140	70	112	12	28	60	8	24	215	180	250		14.5	4		245	230	200	420	460
132S	2,4,6,8	216	108	140	89	132	12	38	80	10	33	265	230	300		14.5	4	4	280	270	200	450	510
132M	4,6,8	216	108	178	89	132	12	38	80	10	33	265	230	300		14.5	4		280	270	200	450	550
160M	2,4,6,8	254	127	210	108	160	15	42	110	12	37	300	250	350		18.5	5		330	325	220	520	670
160L	2,4,6,8	254	127	254	108	160	15	42	110	12	37	300	250	350		18.5	5		330	325	220	520	710
180M	2,4	279	139.5	241	121	180	15	48	110	14	42.5	300	250	350		18.5	5		355	360	220	550	730
180L	4,6,8	279	139.5	279	121	180	15	48	110	14	42.5	300	250	350		18.5	5		355	360	220	550	750
200L	2,4,6,8	318	159	305	133	200	19	55	110	16	49	350	300	400		18.5	5		390	400	250	645	805
225S	4,8	356	178	286	149	225	19	60	140	18	53	400	350	450		18.5	5		435	450	250	690	865
225M	2	356	178	311	149	225	19	55	110	16	49	400	350	450		18.5	5		435	450	250	690	860
	4,6,8	356	178	311	149	225	19	60	140	18	53	400	350	450		18.5	5		435	450	250	690	890
250M	2	406	203	349	168	250	24	60	140	18	53	500	450	550		18.5	5		490	500	300	730	945
	4,6,8	406	203	349	168	250	24	65	140	18	58	500	450	550	0	18.5	5		490	500	300	730	945
280S	2	457	228.5	368	190	280	24	65	140	18	58	500	450	550		18.5	5		545	565	300	810	1010
	4,6,8	457	228.5	368	190	280	24	75	140	20	67.5	500	450	550		18.5	5		545	565	300	810	1010
280M	2	457	228.5	419	190	280	24	65	140	18	58	500	450	550		18.5	5		545	565	300	810	1060
	4,6,8	457	228.5	419	190	280	24	75	140	20	67.5	500	450	550		18.5	5		545	565	300	810	1060
315S	2	508	254	406	216	315	28	65	140	18	58	600	550	660		24	6		640	630	400	1020	1320
	4,6,8,10	508	254	406	216	315	28	80	170	22	71	600	550	660		24	6	8	640	630	400	1020	1350
315M	2	508	254	457	216	315	28	65	140	18	58	600	550	660		24	6		640	630	400	1020	1350
	4,6,8,10	508	254	457	216	315	28	80	170	22	71	600	550	660		24	6		640	630	400	1020	1380
315L	2	508	254	508	216	315	28	65	140	18	58	600	550	660		24	6		640	630	400	1020	1490
	4,6,8,10	508	254	508	216	315	28	80	170	22	71	600	550	660		24	6		640	630	400	1020	1520
355S	2	610	305	500	254	355	28	75	140	20	67.5	740	680	800		24	6		740	750	500	1080	1570
	4,6,8,10	610	305	500	254	355	28	95	170	25	86	740	680	800		24	6		740	750	500	1080	1570
355M	2	610	305	560	254	355	28	75	140	20	67.5	740	680	800		24	6		740	750	500	1080	1650
	4,6,8,10	610	305	560	254	355	28	95	170	25	86	740	680	800		24	6		740	750	500	1080	1650
355L	2	610	305	630	254	355	28	75	140	20	67.5	740	680	800		24	6		740	750	500	1080	1750
	4,6,8,10	610	305	630	254	355	28	95	170	25	86	740	680	800		24	6		740	750	500	1080	1750

IM B5 安装结构形式



机座号 Frame	极数 Poles	安装尺寸(mm)											外形尺寸(mm)			
		D	E	F	G	M	N	P	R	S	T	孔数 (Holes)	AC	AD	HF	L
80M	2,4	19	40	6	15.5	165	130	200	0	12	3.5	4	165	180	320	400
90S	2,4,6	24	50	8	20	165	130	200		12	3.5		180	180	330	570
90L	2,4,6	24	50	8	20	165	130	200		12	3.5		180	180	330	650
100L	2,4,6,8	28	60	8	24	215	180	250		14.5	4		205	180	430	700
112M	2,4,6,8	28	60	8	24	215	180	250		14.5	4	230	190	400	710	
132S	2,4,6,8	38	80	10	33	265	230	300		14.5	4	270	190	450	750	
132M	4,6,8	38	80	10	33	265	230	300		14.5	4	270	190	450	800	
160M	2,4,6,8	42	110	12	37	300	250	350		18.5	5	325	210	520	900	
160L	2,4,6,8	42	110	12	37	300	250	350		18.5	5	325	210	520	950	
180M	2,4	48	110	14	42.5	300	250	350		18.5	5	360	210	550	960	
180L	4,6,8	48	110	14	42.5	300	250	350		18.5	5	360	210	550	980	
200L	2,4,6,8	55	110	16	49	350	300	400		18.5	5	400	235	600	1100	
225S	4,8	60	140	18	53	400	350	450		18.5	5	450	235	600	1200	
225M	2	55	110	16	49	400	350	450		18.5	5	450	235	600	1300	
	4,6,8	60	140	18	53	400	350	450	18.5	5	450	235	600	1120		
250M	2	60	140	18	53	500	450	550	18.5	5	500	270	735	1175		
	4,6,8	65	140	18	58	500	450	550	18.5	5	500	270	735	1175		
280S	2	65	140	18	58	500	450	550	18.5	5	560	300	770	1240		
	4,6,8	75	140	20	67.5	500	450	550	18.5	5	560	300	770	1240		
280M	2	65	140	18	58	500	450	550	18.5	5	560	300	800	1290		
	4,6,8	75	140	20	67.5	500	450	550	18.5	5	560	300	800	1290		

IM V1 安装结构形式



机座号 Frame	极数 Poles	安装尺寸(mm)											外形尺寸(mm)			
		D	E	F	G	M	N	P	R	S	T	孔数 (Holes)	AC	AD	HF	L
80M	2,4	19	40	6	15.5	165	130	200	0	12	3.5	4	165	175	320	500
90S	2,4,6	24	50	8	20	165	130	200		12	3.5		180	175	330	600
90L	2,4,6	24	50	8	20	165	130	200		12	3.5		180	175	330	650
100L	2,4,6,8	28	60	8	24	215	180	250		14.5	4		205	175	425	700
112M	2,4,6,8	28	60	8	24	215	180	250		14.5	4		230	190	400	750
132S	2,4,6,8	38	80	10	33	265	230	300		14.5	4		270	190	450	750
132M	4,6,8	38	80	10	33	265	230	300		14.5	4		270	190	450	800
160M	2,4,6,8	42	110	12	37	300	250	350		18.5	5		325	210	550	920
160L	2,4,6,8	42	110	12	37	300	250	350		18.5	5		325	210	550	950
180M	2,4	48	110	14	42.5	300	250	350		18.5	5		360	210	590	1000
180L	4,6,8	48	110	14	42.5	300	250	350		18.5	5	360	210	590	1050	
200L	2,4,6,8	55	110	16	49	350	300	400		18.5	5	400	240	660	1100	
225S	4,8	60	140	18	53	400	350	450		18.5	5	450	240	720	1130	
225M	2	55	110	16	49	400	350	450		18.5	5	450	240	720	1150	
	4,6,8	60	140	18	53	400	350	450		18.5	5	450	240	720	1150	
250M	2	60	140	18	53	500	450	550		18.5	5	500	270	780	1250	
	4,6,8	65	140	18	58	500	450	550		18.5	5	500	270	780	1250	
280S	2	65	140	18	58	500	450	550		18.5	5	560	300	850	1300	
	4,6,8	75	140	20	67.5	500	450	550		18.5	5	560	300	850	1300	
280M	2	65	140	18	58	500	450	550		18.5	5	560	300	850	1350	
	4,6,8	75	140	20	67.5	500	450	550	18.5	5	560	300	850	1350		
315S	2	65	140	18	58	600	550	660	24	6	630	350	1080	1600		
	4,6,8,10	80	170	22	71	600	550	660	24	6	630	350	1080	1600		
315M	2	65	140	18	58	600	550	660	24	6	630	350	1080	1650		
	4,6,8,10	80	170	22	71	600	550	660	24	6	630	350	1080	1650		
315L	2	65	140	18	58	600	550	660	24	6	630	350	1080	1700		
	4,6,8,10	80	170	22	71	600	550	660	24	6	630	350	1080	1700		
355S	2	75	140	20	67.5	740	680	800	24	6	750	350	1250	1800		
	4,6,8,10	95	170	25	86	740	680	800	24	6	750	350	1250	1800		
355M	2	75	140	20	67.5	740	680	800	24	6	750	350	1250	1900		
	4,6,8,10	95	170	25	86	740	680	800	24	6	750	350	1250	1900		
355L	2	75	140	20	67.5	740	680	800	24	6	750	350	1250	1950		
	4,6,8,10	95	170	25	86	740	680	800	24	6	750	350	1250	1950		

可选附件 Optional accessories:

客户选用: 以下可依个别需求选购:

- 异电压, 异频率
- 空间加热器 (中心高132及以上)。
- 热保护器:
 - 1.PT100热敏电阻传感器温度保护。
 - 2.PTC热敏电阻温度保护。
- 振动探测器;
- 电磁式制动器 (H80-225)
- 特殊安装尺寸及轴伸尺寸;
- 特殊涂装;
- 特殊包装;
- 其它。

The following as options on customer's request:

- Different voltage, different frequency;
- Space heater (frame size H132 and above).
- Heat protector:
 - 1.PT100.
 - 2.PTC.
- Vibration detector;
- Electromagnetic brake (H80-225);
- Special mounting dimension and shaft dimension;
- Special painting;
- Special package;
- Others.

订货信息 Ordering Information:

请在订货时注明以下参数:

- a) 电机型号: (YBX3-280M-2)
- b) 额定功率: (90kW)
- c) 极数: (2)
- d) 额定电压: (380V)
- e) 额定频率: (50Hz)
- f) 防护等级: (IP55)
- g) 绝缘等级: (F)
- h) 安装方式: (IM B3)
- i) 冷却方式: (IC411)
- j) 工作制: (S1)
- k) 防爆级别: (Ex d IIB T4 Gb)
- l) 旋转方向: 顺时针 (面对电机轴伸端看)
- m) 出线位置: 顶部向后 (面对电机轴伸端看)
- n) 海拔高度: $\leq 1000\text{m}$
- o) 环境温度: $-15 \sim +40^\circ\text{C}$
- p) 阻力矩特性曲线: (风机类负载)
- q) 被驱动机械转动惯量J: (折算到电动机转速)
- r) 附件: (按《可选附件》)

注: ①用户如有超出本系列电机标准型式所规定之外的要求, 请与本公司协商。

②随着技术的进步和有关国内外标准的修改, 样本内尺寸及技术参数有所变动, 恕不另行通知, 订货后请向本公司索取正式外形图。

③当客户未提出特殊要求时, 我公司将统一按照默认选项执行, 即: 面对电动机主轴伸方向, 旋转方向为双向旋转, 接线盒位于电动机顶部向右出线。

The following should be specified when placing an order:

- a) type of motor: (YB3-280M-2)
- b) rated power: (90kW)
- c) No. of poles: (2)
- d) rated voltage: (380V)
- e) rated frequency: (50Hz)
- f) degree of enclosure protection: (IP55)
- g) Insulation class: (F class)
- h) type of mounting: (IM B3)
- i) type of cooling: (IC411)
- j) Duty: (S1)
- k) Ex marking: (Ex d IIB T4 Gb)
- l) direction of rotation: (clockwise, viewing from shaft extension side)
 - m) location of terminal box (top side and terminal to back, viewing from shaft extension side)
 - n) Sea level: $\leq 1000\text{m}$
 - o) Environmental temperature: $-10 \sim +40^\circ\text{C}$
 - p) Load resistance curve: (fans characteristic)
 - q) Load moment of inertia: (converted to motor rated speed)
 - r) Accessories: (According to chapter fifteen)

Attention:

①If there are special requirements, a technical agreement should be entered into before signing the order contract.

②The technical data are subject to change without notice because of technical progress and the revising of domestic and international standards.

③If no special requirement is raised on order, the motor will made like this : running in dual-direction and the terminal box will be at the top side and terminal to right, viewing from the shaft extension side.

附录 I : 低压变频器介绍 Appendix I : Low-voltage VFD introduction

上海电气富士电机电气技术有限公司是上海电气集团与日本富士电机株式会社共同出资创建的合资公司, 主要向电驱动领域提供全面的电气控制解决方案, 主要产品包括高低压变频器、高低压控制柜、节能系统改造解决方案、电气系统优化解决方案等, 与我公司同隶属于上海电气集团股份有限公司。作为行业内的兄弟单位, 在变频电机以及变频器的开发过程中, 通过双方设计人员的相互交流和充分沟通, 终于推出匹配性强、性能优良的电动机及变频器配套产品。

与BPY系列联合共同开发、采用日本富士公司技术设计的低压变频器系列有三种系列型号, FRENIC-VP系列、FRENIC-Ace系列、FRENIC-MEGA系列, 分别可应用于轻载场合、一般场合、重载场合。配置上述三种系列变频器的BPY电动机机组将最大限度的实现最优化配置, 达到节能效果明显、控制响应快速, 为用户提供最优良的工业匹配解决方案。

Shanghai Electric Fuji Electric Technology Co., Ltd. is a joint venture company jointly established by Shanghai Electric Group and Japan Fuji Electric Co., Ltd. ,Company mainly provides comprehensive electrical control solutions to the electric drive field, Main products of company include high and low voltage inverters and high and low voltage control cabinets, Optimized solutions for energy-saving system reformation, Optimized solutions for electrical system, etc., This company together with our company are both belong to Shanghai Electric Group Co., Ltd. Being brotherhood company in this industry area, designers from both sides can have mutual idea exchange & sufficient communication during development process of variable frequency motors and frequency converters. Eventually, auxiliary products for motor and inverter with highly matching & high performance has been introduced into market as a result.

There are three series of low-voltage VFD series developed with the technology of Fuji Japan. They are FRENIC-VP series, FRENIC-ACE series and FRENIC-MEGA series, which can be applied to small load occasions, general occasions and heavy load occasions respectively. The BPY motor unit equipped with the above three series inverters will realize optimal configuration to the maximum extent, achieve the obvious energy-saving effect and fast control response, and provide the best industrial solution for users.

低压变频器系列	FRENIC-VP系列	FRENIC-Ace系列	FRENIC-MEGA系列
主要特点 main features	节能型变频器 Energy saving VFD	高性能节能型变频器 High performance energy-saving VFD	高性能多功能变频器 High performance multifunction VFD
适用场合 Applicable occasions	轻载场合 Light load occasion	一般场合 General occasion	重载场合 Heavy load occasion
典型负载 Typical load	风机水泵类 Fan and pump 压缩机类 Compressors 变转矩负载 Variable-torque load		提升机 Lifting machine 皮带机 Belt conveyor 恒转矩负载 Constant-torque
功率范围 Power range	2.2~315kW	0.4~315kW	0.4~710kW
电压等级 Voltage level	3相、AC380~480V、50/60Hz		
最大电流 Maximum current	590A		1170A
过载能力 Overload capacity	120%~1min		120%~1min; 200%~3S

附录 II：电动机智能运维系统

Appendix II : Intelligent operation and maintenance system of motor



在电机现场运行数据的支撑下,实现电机的技术提升、产品优化,为用户提供更好的全生命周期服务。

Under the running data supporting of motor on site, realized the promotion of motor technology and optimizing the product, supplied a better life cycle service for customers.



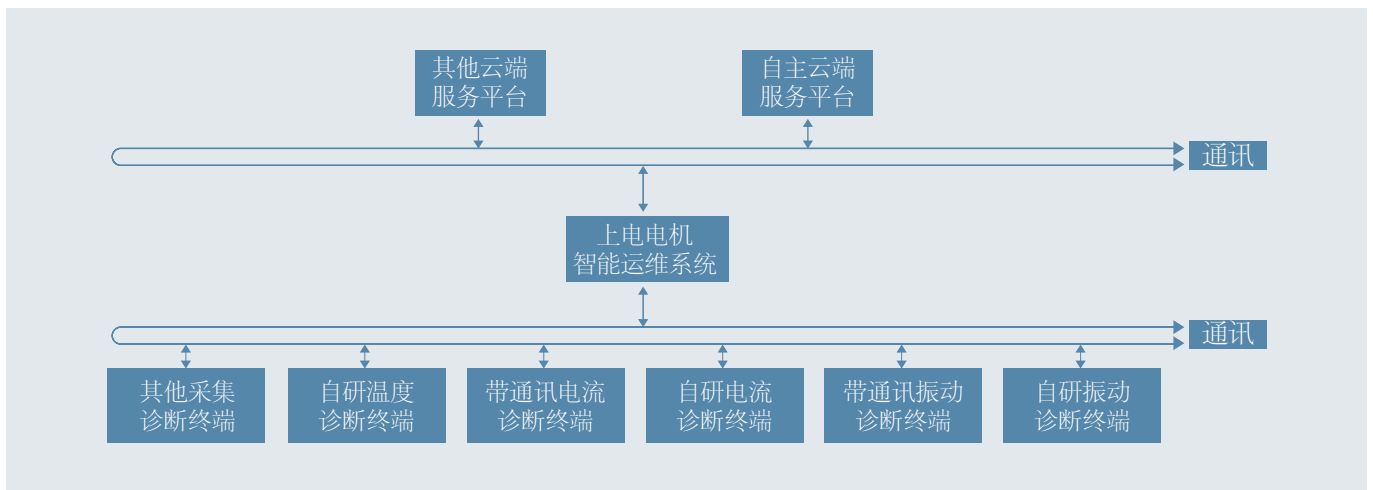
对将要出现的重大故障发出早期警报,最大限度地降低故障引起的事故和故障停机时间。

保障设备的安全健康运行,进行视情维修。

具备远程故障查询、故障诊断的能力,从而大大降低了维修成本。

Advanced alarm will be generated to the coming major failure, maximumly reducing the accident caused by the failure and machine down time. Guarantee to run the equipment safety and do the condition-based maintenance.

Able to failure inquiring and diagnosing, reducing the maintenance cost greatly.



通过上海电气“星云智慧”统一数据平台,打造电动机远程智能运维系统,实现为用户提供电动机的全生命周期服务:

- 1、监视电动机健康状态,通过有针对性的及时维修,延长电动机使用寿命;
- 2、减少非计划停机时间,避免停机造成的产品损失与停机造成的经济损失;
- 3、在线监测减轻巡检负担,预测性维护减少预防性维护的低效;
- 4、远程进行故障诊断,可进行故障定位、原因分析与改善。

On the "Nebula Intelligence" data platform of Shanghai Electric, a motor remote intelligent operation and maintenance system is built to provide users with the whole life cycle service of the motor, which can do the following:

1. Monitor the operation status of the motor, and extend the working life of the motor through timely maintenance;
2. Reduce unscheduled downtime, avoid economic loss caused;
3. Reduce patrol inspection via online monitoring, and replace preventive maintenance with predictive maintenance;
4. Remote fault diagnosis, fault location, cause analysis and improvement.



感谢您使用本公司电动机产品!
Thank you for using our electric motors !

售后服务:

◆ 上海电气集团上海电机厂有限公司服务介绍

上海电气集团上海电机厂有限公司(以下简称“上电”)作为专业电机生产厂家,基于上海工厂及遍布国内外的服务中心可根据用户电机应用场景提供全生命周期服务,保证各类电动机及发电机能够长期稳定、高效运行,为用户创造价值。

◆ 技术咨询与培训:

合理的选型与正确的使用是电机高效稳定运行的基础,上电的技术团队可根据用户的应用场景、负载性质提供合理的选型建议,针对运行过程中针对各类电气、机械、控制等各类问题提供全生命周期的技术支持。同时上电为了使用户更好的使用电机设备,针对电动机与发电机上电开发出各类通用或专题培训课程。

◆ 安装与调试:

设备在现场成功调试是项目执行的里程碑事件,为了使电机在运到现场后能在最短的时间内调试运行,尽早的为用户创造价值,上电可为用户提供电机现场安装与调试服务。

◆ 运行维护:

工业电机在冶金、矿山、水泥、电站等各个行业源源不断的为各类机械设备提供驱动力,同时在不同的应用场景中也承受着来自负载冲击、粉尘、高温、油污、电流等各种因素造成的腐蚀,造成电气与机械性能的下降,及时适当的维护保养是保持电机长期稳定运行,延缓使用寿命的必要手段。上电针对不同的应用场景可为不同类型的电机提供针对性的维护保养服务,以更好的保障电机的稳定运行。

◆ 故障维修:

电机的非计划停机严重的影响用户的生产,造成巨大的经济损失,基于70多年的电机设计与制造经验,上电可在第一时间分析判断出电机故障原因,并出具针对性的解决方案,并集中调配生产资源服务于抢修性业务,以最短的时间恢复设备运行,减少用户损失。

◆ 升级改造:

基于用户工艺流程的改变或节能环保等方面的考虑,针对在役电机,用户有着大量的改造需求。为了更好的服务于用户,上电开发出了冷却系统改造、轴承系统改造、增容改造、延寿改造以及其他各类客户提出的专项改造服务,确保改造后的电机满足新的应用场景的使用要求。

◆ 备品备件:

电机在服役过程中难免会有零部件的老化与磨损,及时更换磨损零部件是减少非故障停机的必要措施,针对上电自身产品,根据备件更换频率,上电可提供易耗品、常用件、战略备件三类备件服务包,可保证电机设备全生命周期的备件更换需求。

◆ 远程状态监测:

为了减轻日常点检给设备维护人员带来的繁重的工作负担,上电开发了针对电机的远程状态监测系统,用户可在线远程实现对电机状态的记录与监测,对于电机运行过程中出现异常可及时提出预警,如用户选配了我方远程监测专家系统,我方可在第一时间向用户推送故障解决方案,必要时我方服务人员将上门服务协助解决。

◆ 工程服务:

电机设备的运行涉及到土建、机械负载、控制系统、润滑系统、冷却系统等方方面面,为了发挥上电的专业优势,简化用户繁重的项目管理工作,上电根据用户需要可提供不同层次的工程服务。

◆ 其他定制服务:

在电机设备运行过程中用户会有着各种不同的服务需求,上电无法将所能提供的所有服务进行罗列介绍,针对任何我方未罗列出的服务需求,欢迎通过电话、网站、官方微信等渠道与我方联系,我方会针对用户的具体需求配置专业合理的服务方案。

营销网络:

大区	网点	城市	负责人	手机	地址
上海大区	本部办事处	上海	周勤强	13909243991	上海市闵行区江川路555号
北京大区	北京办事处	北京	董海生	18610034386	北京市海淀区首体南路6号新世纪日航饭店写字楼955室
华北大区	石家庄办事处	石家庄	宋鑫	18602476818	石家庄桥西区裕华西路海悦天地广场A座2016室
	太原办事处	太原			山西省太原市建设南路206号中正花园二期4号楼1单元2703号
	唐山办事处	唐山	焦旭	13817846706	河北省唐山市路北区军安里尚座花园104-7-1602室
华东大区	南京办事处	南京	曾照杨	15921956881	江苏省南京市江宁区金源路2号绿地城际空间站D1-1502 (南京南站南广场)
	苏东南办事处	南通	钱斌	13812598040	江苏省南通市崇川区中兴街道振兴东路336号富新园15号楼二单元504
	济南办事处	济南	路永明	13671595429	山东省济南市槐荫区和谐佳苑4区7-2-701
华中大区	武汉办事处	武汉	蔡一丁	13904045740	武汉市武昌区徐东路50号山河大厦3803室
	郑州办事处	郑州	印华	13311797637	郑州市郑东新区普惠路2号新里·卢浮公馆二期5号楼二单元14层189室
		洛阳	营建	15216763204	洛阳市涧西区世纪华阳小区2号楼602室
	长沙办事处	长沙	陈永嘉	18674835655	湖南省长沙市天心区湘府西路229号保利花园三期9栋2单元606
西南大区	成都办事处	成都	朱锦坤	18601692805	成都市高新区蜀锦路88号楚峰国际中心1104室
		重庆			重庆市渝中区大坪长江二路77号附16号B、2栋34-7 (万友康年公寓)
	昆明办事处	昆明	熊伟	15285192820	云南省昆明市盘龙区石闸立交桥旁金色俊园F栋2807
贵阳办事处	贵阳			贵阳市观山湖区金朱东路399号恒大中央公园D5栋2502	
东北大区	沈阳办事处	沈阳	王超群	18640158897	辽宁省沈阳市沈河区青年大街219号华新国际大厦4-J、4-K
华南大区	广州办事处	广州	王辉	13485375062	广东省广州市天河区华庭路4号富力天河商务大厦1204房
		南宁			广西南宁市西乡塘区大学东路35号翰林学府3号楼二十八层2801室
东南大区	杭州办事处	杭州	谢钟	15601706655	杭州市江干区全幅桥路298号富亿中心A座1312
	福州办事处	福州			福州市晋安区电建路19号茶园新苑13号1112
西北大区		西安	周杰	13816677420	陕西省西安市莲湖区唐延路北段20号太和时代广场D座1209室
		新疆			新疆乌鲁木齐市经开区喀纳斯南路和兴雅轩8-3-901
		榆林			陕西省榆林市榆阳区巨丰智慧城30栋2单元101

我们有权进行技术修改或更改文件内容,恕不另行通知。采购订单适用协议细节。对文件可能存在的失误或信息不足,我公司不承担任何责任。

我们保留对本文件、主题及其中插图的所有权。禁止在未事先获得我公司书面的情况下向第三方复印、公布或私自使用本文件内容(无论是全部内容还是部分内容)。



扫描关注上电公司
官方微信



上海电气集团上海电机厂有限公司
Shanghai Electric Machinery Co.,Ltd.

地址:中国上海闵行江川路555号

ADD:555 Jiangchuan Road,Minhang Shanghai China

电话(TEL): 021-64638221 传真(FAX): 021-64632422

客服电话(CSH): 4008803505

邮编(P.C): 200240

网址: <http://www.shanghai-electric.com>